

Installation Instructions for the SS400 Series Temperature Compensated Digital Hall-Effect Sensor ICs

ISSUE 6
PK 88700

GENERAL INFORMATION

CAUTION

ELECTROSTATIC DISCHARGE DAMAGE

This component is sensitive to electrostatic discharge (ESD). Take normal ESD precautions in handling this product to prevent ESD-induced damage and/or degradation.

Failure to comply with these instructions may result in product damage.



SOLDERING/ASSEMBLY

CAUTION

IMPROPER SOLDERING

- Ensure leads are supported during any forming/ shearing operation so that they are not stressed inside the plastic case.
- Limit exposure to high temperatures.

Failure to comply with these instructions may result in product damage.

PC board wave soldering temperature is 250 °C to 260 °C [482 °F to 500 °F] peak for 3 s max.

CLEANING

CAUTION

IMPROPER CLEANING

Do not use pressure wash. High-pressure stream could force contaminants into the package.

Failure to comply with these instructions may result in product damage.

Use agitated rinse to clean the sensor.

Table 1. Absolute Maximum Ratings

Characteristic	Parameter
Supply voltage	-1 Vdc to +30 Vdc
Voltage externally applied to output	+30 Vdc max. (OFF only) -0.5 Vdc min. (OFF or ON)
Output ON current	see Table 2
Operating temperature	-40 °C to 150 °C [-40 °F to 302 °F]
Storage temperature	-50 °C to 150 °C [-58 °F to 302 °F]
Magnetic flux	no limit; circuit cannot be damaged by magnetic overdrive

NOTICE

Absolute maximum ratings are the extreme limits that the device will withstand without damage to the device. However, the electrical and mechanical characteristics are not guaranteed as the maximum limits (above recommended operating conditions) are approached, nor will the device necessarily operate at absolute maximum ratings.

Table 2. Output Current Absolute Limits

Supply Voltage	Output Current
-1 Vdc to 24 Vdc	50 mA max.
24 Vdc to 25 Vdc	37 mA max.
25 Vdc to 26 Vdc	33 mA max.
26 Vdc to 27 Vdc	28 mA max.
27 Vdc to 28 Vdc	24 mA max.
28 Vdc to 29 Vdc	19 mA max.
29 Vdc to 30 Vdc	15 mA max.

Figure 1. Block Diagram

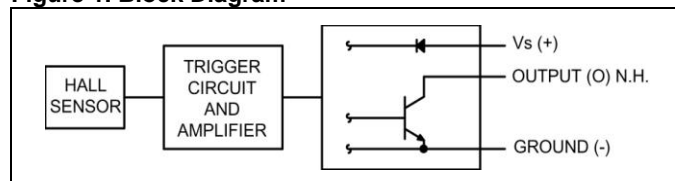


Table 3. Operating Characteristics (over operating voltage and temperature, unless otherwise noted)

Characteristic	Min.	Typ.	Max.	Note
Supply voltage	3.8 Vdc	–	30 Vdc	–
Current consumption	–	–	10 mA	–
Supply current (operated at 25 °C, Vs = 5 V)	–	6.5 mA	–	–
Output voltage (operated)	–	–	0.40 Vdc	sinking, 20 mA max.
Output current (operated)	–	–	20 mA	–
Output leakage current (released)	–	–	10 µA	–
Output switching time:				V _{CC} = 12 V, RL = 1.6 kΩ, CL = 20 pF
rise, 10% to 90%	–	0.05 µs	1.5 µs	
fall, 90% to 10%	–	0.15 µs	1.5 µs	

SS400 Series Temperature Compensated Digital Hall-Effect Sensor ICs

Issue 6
PK 88700

Table 4. Magnetic Characteristics

Temperature	Operating Characteristic	Catalog Listing						
		SS411A	SS413A	SS441A	SS443A	SS449A	SS461A	SS466A
		SS411A-L	SS413A-L	SS441A-L	SS443A-L	SS449A-L	SS461A-L	SS466A-L
		SS411A-T2	SS413A-T2	SS441A-T2	SS443A-T2	SS449A-T2	SS461A-T2	SS466A-T2
		SS411A-T3	SS413A-T3	SS441A-T3	SS443A-T3	SS449A-T3	SS461A-T3	SS466A-T3
	Bipolar	Bipolar	Unipolar	Unipolar	Unipolar	Latching	Latching	
-40 °C [-40 °F]	min. op.	NS	NS	50 G	110 G	285 G	5 G	100 G
	max. op.	70 G	140 G	135 G	215 G	435 G	110 G	200 G
	min. rel.	-70 G	-140 G	20 G	80 G	210 G	-110 G	-200 G
	max. rel.	NS	NS	120 G	190 G	360 G	-5 G	-100 G
	min. dif.	15 G	20 G	15 G	25 G	30 G	50 G	200 G
0 °C [32 °F]	min. op.	NS	NS	53 G	110 G	305 G	5 G	100 G
	max. op.	65 G	140 G	117 G	190 G	400 G	90 G	185 G
	min. rel.	-65 G	-140 G	20 G	80 G	230 G	-90 G	-185 G
	max. rel.	NS	NS	99 G	165 G	325 G	-5 G	-100 G
	min. dif.	15 G	20 G	15 G	25 G	30 G	50 G	200 G
25 °C [77 °F]	min. op.	NS	NS	55 G	110 G	310 G	10 G	100 G
	max. op.	60 G	140 G	115 G	180 G	390 G	85 G	180 G
	min. rel.	-60 G	-140 G	20 G	75 G	235 G	-85 G	-180 G
	max. rel.	NS	NS	95 G	155 G	31 G G5	-10 G	-100 G
	min. dif.	15 G	20 G	20 G	25 G	30 G	50 G	200 G
85 °C [185 °F]	min. op.	NS	NS	45 G	90 G	290 G	110 G	95 G
	max. op.	60 G	140 G	120 G	180 G	400 G	85 G	180 G
	min. rel.	-60 G	-140 G	15 G	70 G	215 G	-85 G	-180 G
	max. rel.	NS	NS	105 G	165 G	325 G	-10 G	-95 G
	min. dif.	12 G	20 G	15 G	15 G	30 G	50 G	190 G
125 °C [257 °F]	min. op.	NS	NS	40 G	80 G	270 G	5 G	80 G
	max. op.	65 G	140 G	123 G	190 G	410 G	100 G	180 G
	min. rel.	-65 G	-140 G	15 G	60 G	200 G	-100 G	-180 G
	max. rel.	NS	NS	115 G	180 G	340 G	-5 G	-80 G
	min. dif.	12 G	20 G	8 G	10 G	30 G	50 G	160 G
150 °C [302 °F]	min. op.	NS	NS	35 G	65 G	260 G	5 G	70 G
	max. op.	70 G	140 G	125 G	200 G	420 G	110 G	185 G
	min. rel.	-70 G	-140 G	10 G	55 G	185 G	-110 G	-185 G
	max. rel.	NS	NS	120 G	195 G	345 G	-5 G	-70 G
	min. dif.	10 G	20 G	5 G	5 G	30 G	50 G	140 G

NOTICE

Bipolar Hall-effect sensors may have an initial output in either the ON or OFF state if powered up with an applied magnetic field in the differential zone (applied magnetic field >Brp and <Bop). Honeywell recommends allowing 10 μs for output voltage to stabilize after supply voltage has reached 5 V.

SS400 Series Temperature Compensated Digital Hall-Effect Sensor ICs

Issue 6
PK 88700

Figure 5. SS400 Series Mounting Dimensions (For reference only. mm/[in].)

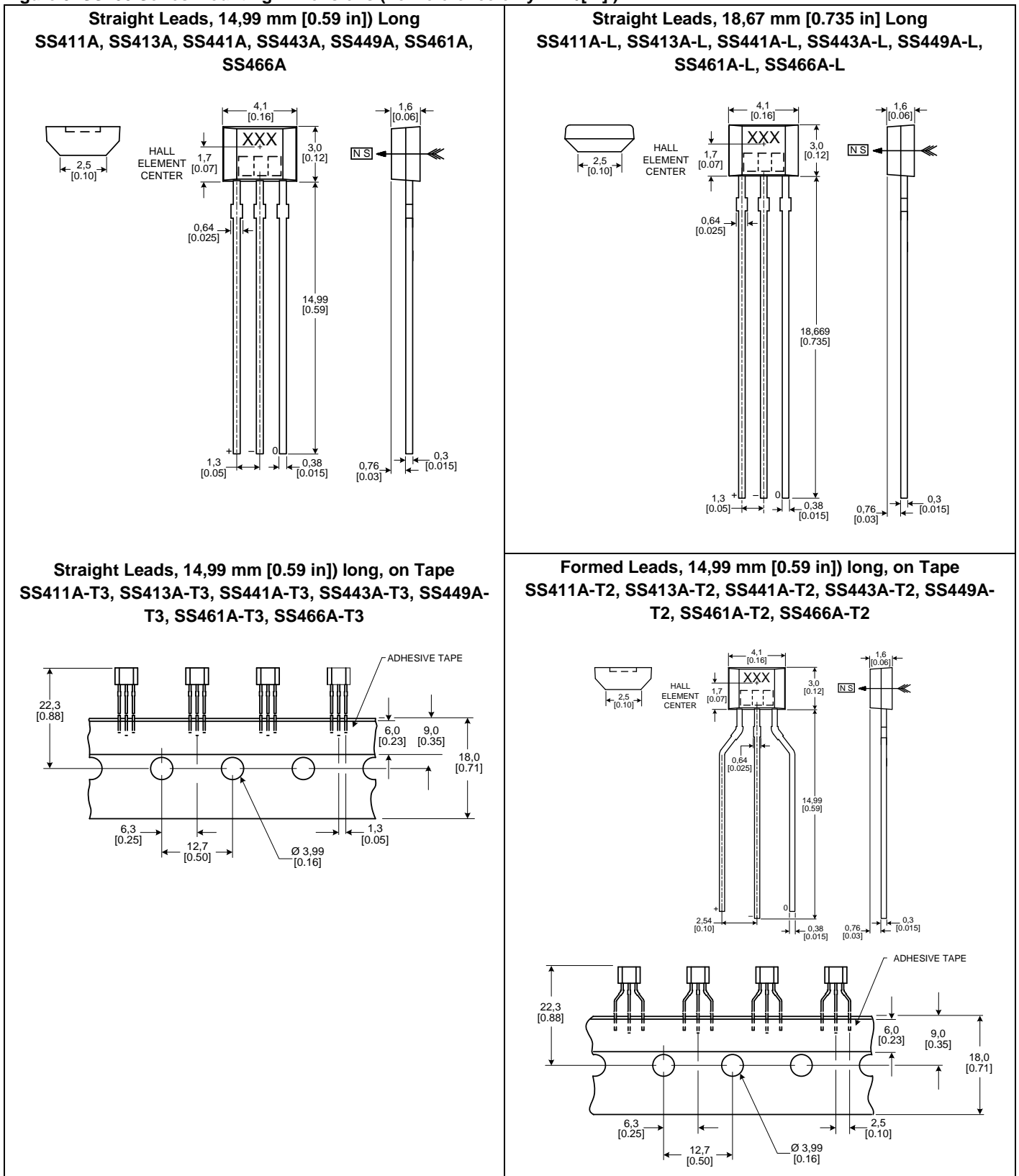
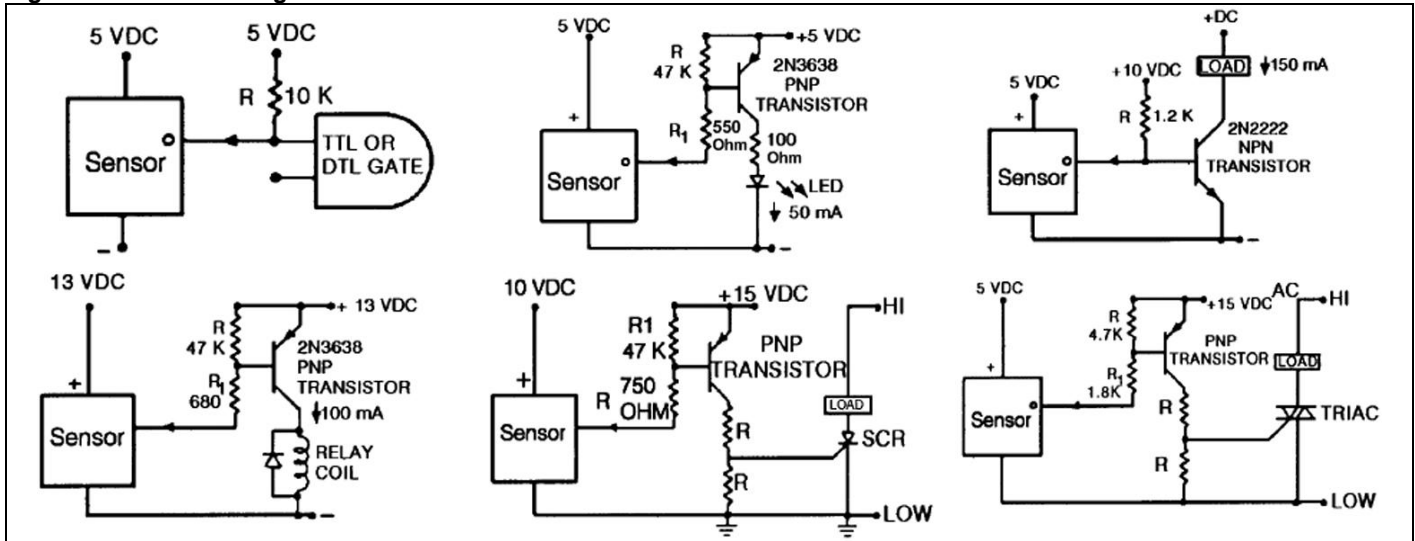


Figure 4. Electronic Diagrams



⚠ WARNING

PERSONAL INJURY

DO NOT USE these products as safety or emergency stop devices or in any other application where failure of the product could result in personal injury.

Failure to comply with these instructions could result in death or serious injury.

WARRANTY/REMEDY

Honeywell warrants goods of its manufacture as being free of defective materials and faulty workmanship. Honeywell's standard product warranty applies unless agreed to otherwise by Honeywell in writing; please refer to your order acknowledgement or consult your local sales office for specific warranty details. If warranted goods are returned to Honeywell during the period of coverage, Honeywell will repair or replace, at its option, without charge those items it finds defective. **The foregoing is buyer's sole remedy and is in lieu of all other warranties, expressed or implied, including those of merchantability and fitness for a particular purpose. In no event shall Honeywell be liable for consequential, special, or indirect damages.**

While we provide application assistance personally, through our literature and the Honeywell web site, it is up to the customer to determine the suitability of the product in the application.

Specifications may change without notice. The information we supply is believed to be accurate and reliable as of this printing. However, we assume no responsibility for its use.

⚠ WARNING

MISUSE OF DOCUMENTATION

- The information presented in this application note is for reference only. Do not use this document as a product installation guide.
- Complete installation, operation, and maintenance information is provided in the instructions supplied with each product.

Failure to comply with these instructions could result in death or serious injury.

SALES AND SERVICE

Honeywell serves its customers through a worldwide network of sales offices, representatives and distributors. For application assistance, current specifications, pricing or name of the nearest Authorized Distributor, contact your local sales office or:

E-mail: info.sc@honeywell.com

Internet: www.honeywell.com/sensing

Phone and Fax:

Asia Pacific	+65 6355-2828
	+65 6445-3033 Fax
Europe	+44 (0) 1698 481481
	+44 (0) 1698 481676 Fax
Latin America	+1-305-805-8188
	+1-305-883-8257 Fax
USA/Canada	+1-800-537-6945
	+1-815-235-6847
	+1-815-235-6545 Fax