



**RADIALL®**  
Fibre Optic Components

**TECHNICAL DATA SHEET**

**F 709 024 XXX**

**Titre: ST2 MULTIMODE PLUG  $\varnothing$ 128 $\mu$ m CERAMIC FERRULE CABLE  $\varnothing$ 3 MAX**

Series  
F709

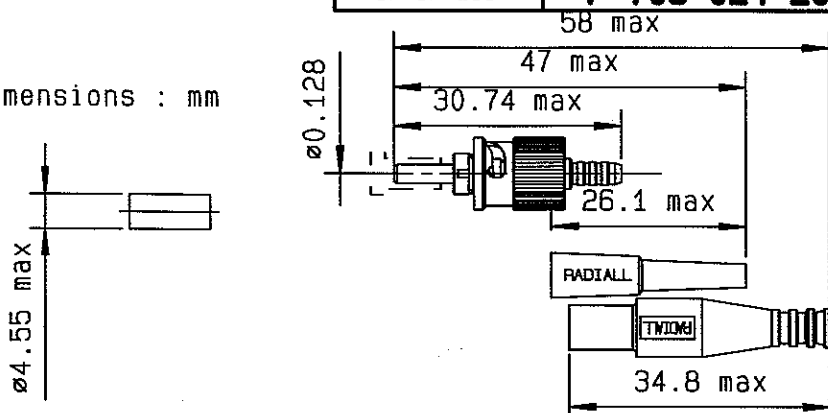
Issue:  
06-04-00

Page  
1/1

PACKAGING :	SINGLE	<b>F 709 024 000</b>
	PACK OF 100	<b>F 709 024 200</b>

mm to inch : 0.03937

Dimensions : mm



**BOOT :**  
- COLOUR BLACK  
- INFLAMMABILITY : V1 (UL94)

**BODY :**  
- BRASS  
- NICKEL PLATED

**GENERAL**

- TYPE :** - IEC 1754-2 Type BFOC/2.5 - "ST2"  
- Ceramic Zirconia ferrule 20 mm pre-radius  
- Bayonet latching system
- FIBRE :** - Multimode 62.5/125
- CABLE :** - Cable  $\varnothing$ 2.7 to 3 mm (Hex. 3.84)
- WIRING :** ASSEMBLY PROCEDURE 503 08 390
- For a tight cable  $\varnothing$ 2 with aramid strength member and a coated fiber  $\varnothing$ 0.9 :  
----- See procedure F709PC02
  - For a loose cable  $\varnothing$ 3 with aramid strength member, a tube  $\varnothing$ 0.6/1 and a coated fiber  $\varnothing$ 0.25 :----- See procedure F709PC30
  - For a coated fiber  $\varnothing$ 0.9 :----- See procedure F709PC01
  - For a coated fiber  $\varnothing$ 0.25 inside a tube  $\varnothing$ 0.6/1 :----- See procedure F709PC32

**CHARACTERISTICS**

(Depending on fibre or cable construction)

**OPTICAL:** Typical insertion loss (IEC 1300-3-4, Methode B or CECC 86000 Methode 7) with adaptor F709730000 at 850 nm (LED)

- Typical : 0.25 dB
- Standard deviation : 0.11 dB
- Reproducibility ; 0.05 dB

Return loss (IEC 61300-3-6 Methode B or CECC Methode 3, OTDR) :

- >30 dB (PC)

- MECHANICAL :**
- Mating life : 500 mating cycles
  - Fibre retention : 5 N
  - Cable retention : 100 N
  - Vibrations : 10-55Hz, 1.5 mm

**ENVIRONMENTAL:-** Climatic category : 25/70/4 0.2 dB

**CREATION**

N° : EPF 9752  
Name : CAUSSE C  
Date : 10-23-98  
Verif.: VALENCIA

06/04/00	Change of protective cap	Lahera R	
03-17-99	ASSEMBLY PROCEDURE REFERENCE	VALENCIA	
10-23-98	First issue	VALENCIA	
Issue	Revisions	Name	Approved