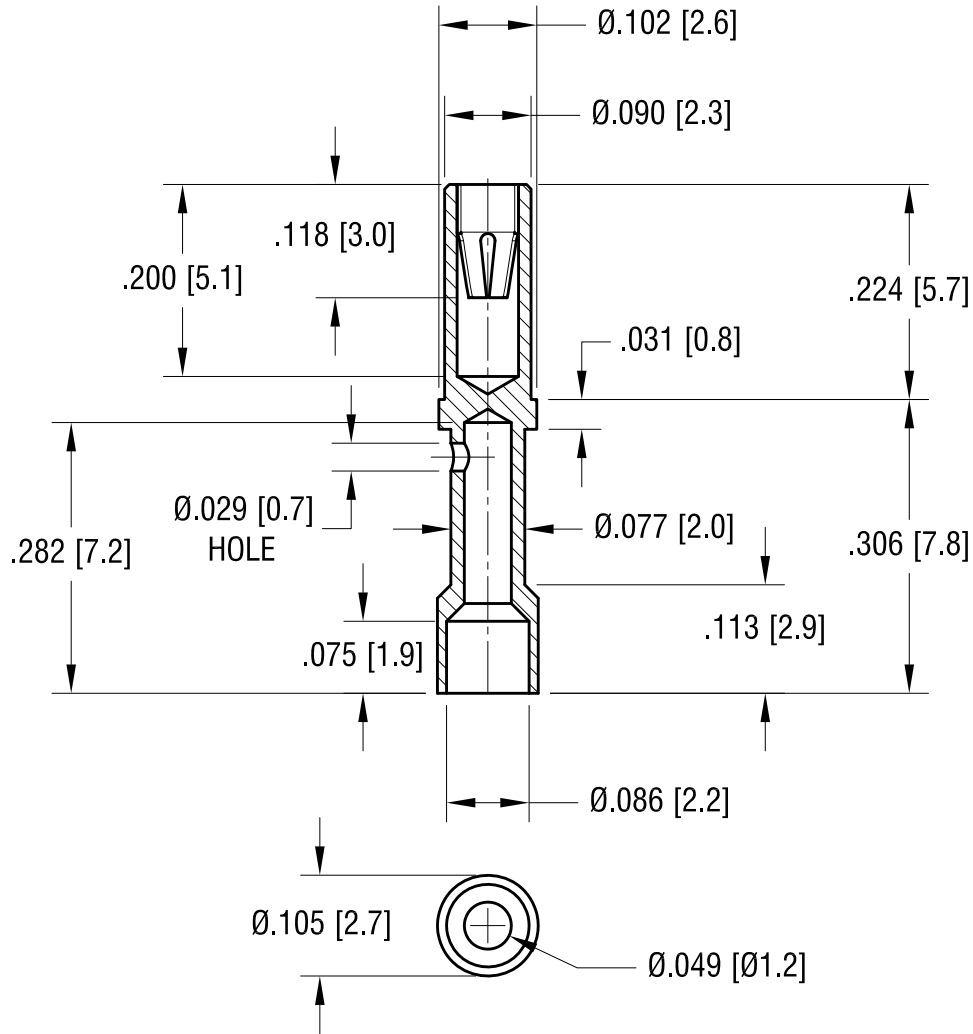


THIS DOCUMENT IS THE PROPERTY OF
KEYSTONE ELECTRONICS CORP. AND
SHALL NOT BE REPRODUCED, DISTRIBUTED
OR USED AS A BASIS FOR MANUFACTURE
WITHOUT PRIOR WRITTEN PERMISSION
FROM KEYSTONE ELECTRONICS CORP.

4-FINGERS CLOSED
ENTRY CONTACT FOR
Ø.040 [Ø1.02]
DIAMETER PIN

ACTUAL SIZE



NOTES:

1. BODY: MAT'L - BRASS
FINISH: TIN PLATE
2. SPRING CONTACT: MAT'L - BERYLLIUM COPPER
FINISH: GOLD PLATE
3. ACCEPTS .040 DIA. PIN

KEYSTONE ELECTRONICS CORP.

www.keyelco.com • NEW HYDE PARK, NY 11040 • Tel (516) 328-7500

PART NAME			
JACK FOR .032 [0.81] - .046 [1.17] DIA. PINS			
MATERIAL			
AS NOTED			
FINISH		DRN BY	DATE
AS NOTED		NT	3.29.07
		APP'D	SCALE
		LN	5X
TOLERANCES	INCH [MM]	CODE	DWG NO.
DECIMAL	± .005 [± 0.13]	C	3595
ANGULAR	± 1°		
UNLESS OTHERWISE SPECIFIED			

3.11.08	AS PER ECN 08-094	A
DATE	DESCRIPTION	REV.