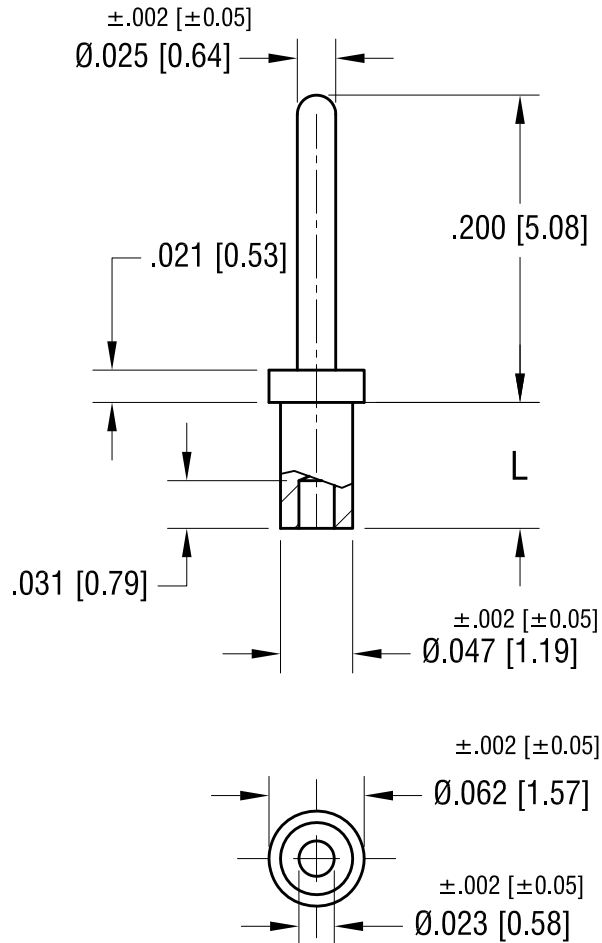


THIS DOCUMENT IS THE PROPERTY OF  
KEYSTONE ELECTRONICS CORP. AND  
SHALL NOT BE REPRODUCED, DISTRIBUTED  
OR USED AS A BASIS FOR MANUFACTURE  
WITHOUT PRIOR WRITTEN PERMISSION  
FROM KEYSTONE ELECTRONICS CORP.

ACTUAL SIZE



P/N 1427-1



NOTE:  
1. MOUNTING HOLE .052 [1.32]

PART NO.	'L' DIM.
1427-1	.051 [1.30]
1427-2	.082 [2.08]

3.12.20 1427-3 & 1427-4 ARE OBSOLETE  
CHANGE AS PER ECN 20-023

DATE DESCRIPTION

A  
REV.

<b>KEYSTONE ELECTRONICS CORP.</b>			
www.keyelco.com • NEW HYDE PARK, NY 11040 • Tel (516) 328-7500			
PART NAME			
MICRO PIN, SWAGE MOUNT			
MATERIAL			
BRASS			
FINISH		DRN BY	DATE
TIN PLATE		BOONE	4.30.02
		APP'D	SCALE
			8X
TOLERANCES	INCH [MM]	CODE	DWG NO.
DECIMAL	$\pm .005$ [ $\pm 0.13$ ]	C	<b>1427-</b>
ANGULAR	$\pm 1^\circ$		
UNLESS OTHERWISE SPECIFIED			