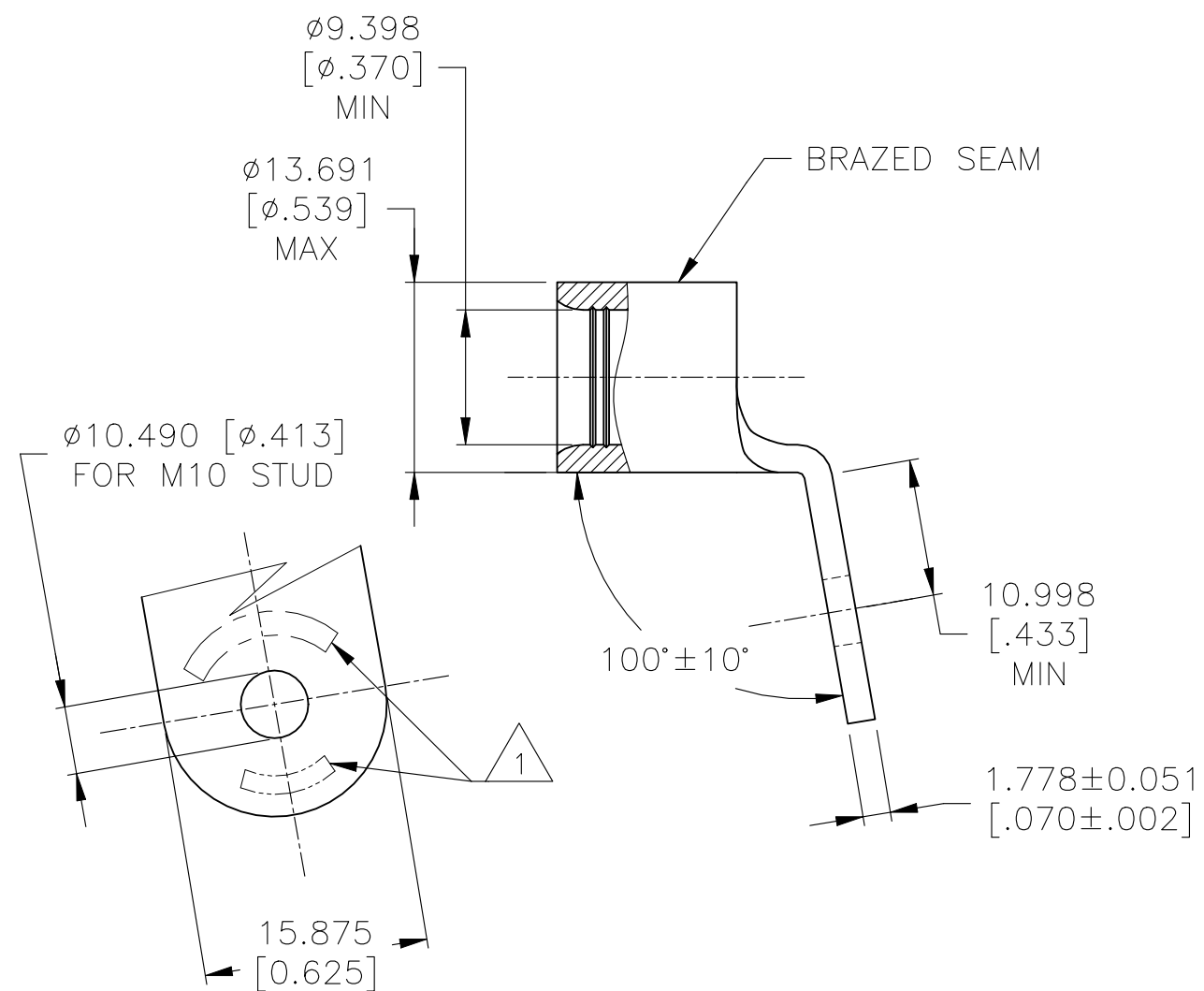


REVISIONS

P	LTR	DESCRIPTION	DATE	DWN	APVD
	A1	ECR-21-118569	29NOV2021	SCD	DR



- △ 1 STAMP: AMP 2W\* 60-75 APPROX AS SHOWN.
- △ 2 MATERIAL: COPPER PER ASTM B152.
- △ 3 FINISH: NICKEL PLATE 0.00762 [.000300] MIN EXT THK PER SAE AMS QQ-N-290

135480-3	LOOSE PIECE	50
PART NUMBER	PACKAGE TYPE	QTY

MAX. TEMP: 343°C [649°F]	THIS DRAWING IS A CONTROLLED DOCUMENT.		DWN RAGHAVENDRA.K 04APR2020	TE Connectivity							
	VOLTAGE RATING: N/A	DIMENSIONS: mm [INCHES]	TOLERANCES UNLESS OTHERWISE SPECIFIED:				CHK DANIEL.R 04APR2020				
CIRCULAR MIL AREA: 26.7-42.4 MM <sup>2</sup> [52,600-83,700] SOLID OR STRANDED		0 PLC ± -	1 PLC ± -	2 PLC ± -	3 PLC ± 0.127[.005]	4 PLC ± -	APVD DANIEL.R 04APR2020	NAME	TERMINAL RING TONGUE STRATO-THERM, HEAT RESISTANT WIRE SIZE: 2 AWG, 100 DEG BEND		
		MATERIAL △ 2	FINISH △ 3	APPLICATION SPEC 114-2162	PRODUCT SPEC -	WEIGHT	SIZE A3	CAGE CODE 00779	DRAWING NO C-135480	RESTRICTED TO	-
CUSTOMER DRAWING								SCALE NTS	SHEET 1 OF 1	REV A1	