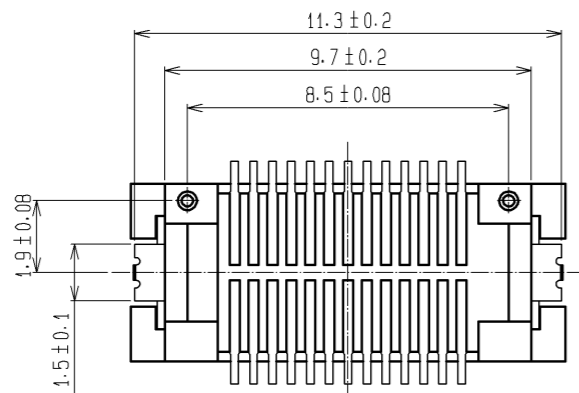
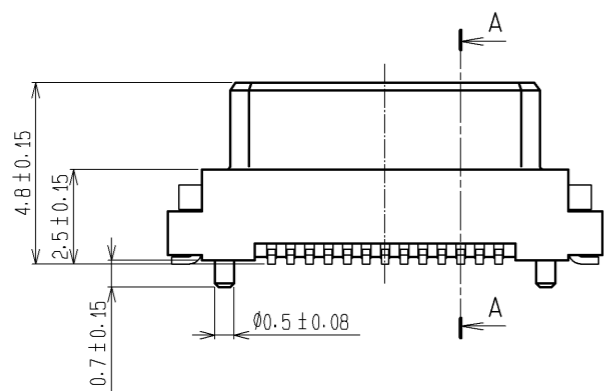
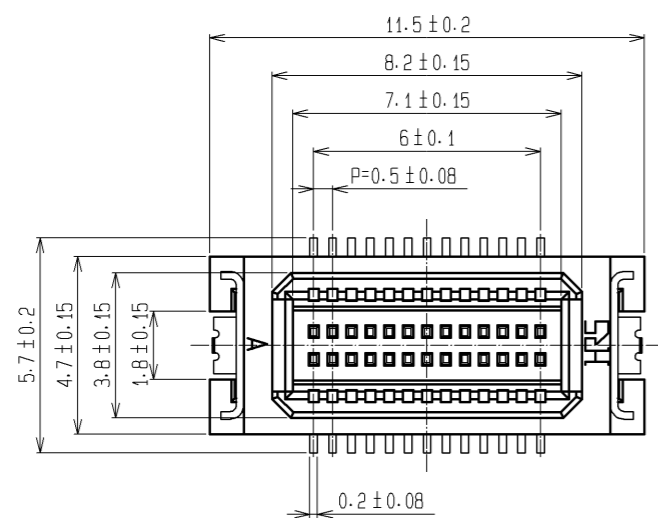
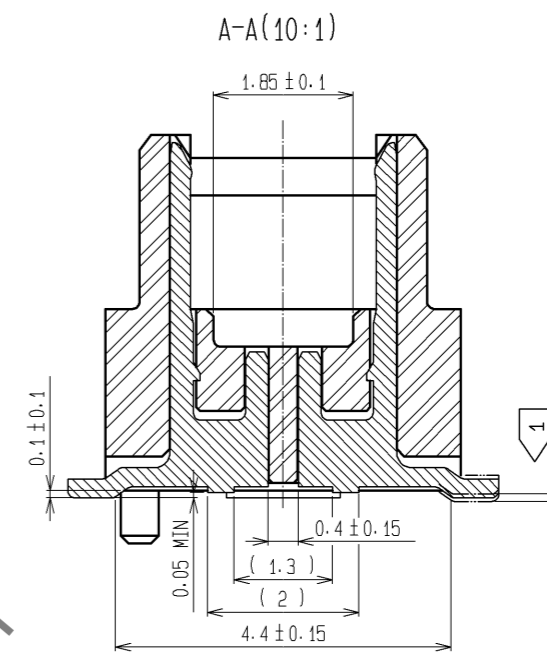
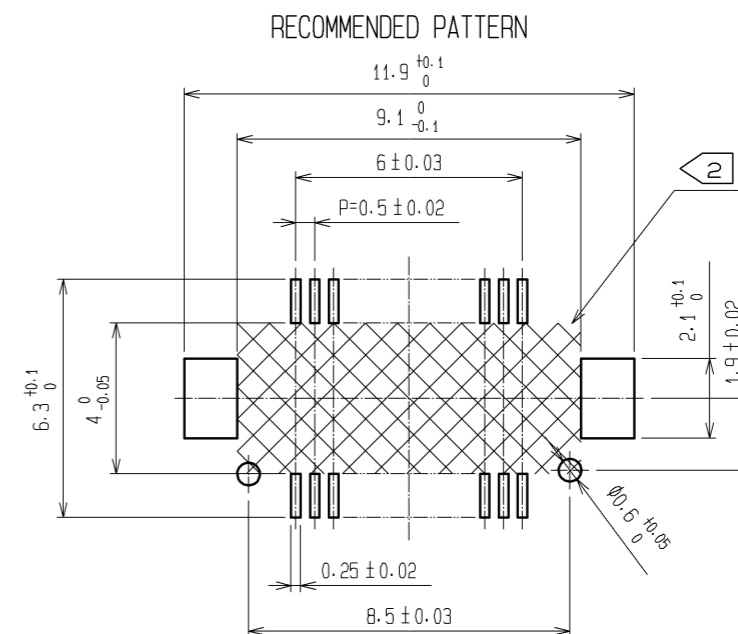
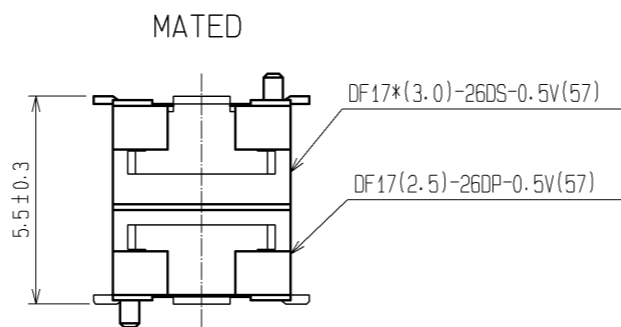
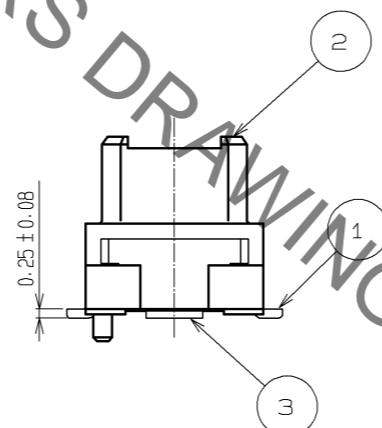


May.1.2023 Copyright 2023 HIROSE ELECTRIC CO., LTD. All Rights Reserved.
In case of consideration for using Automotive equipment / device which demand high reliability, kindly contact our sales window correspondents.



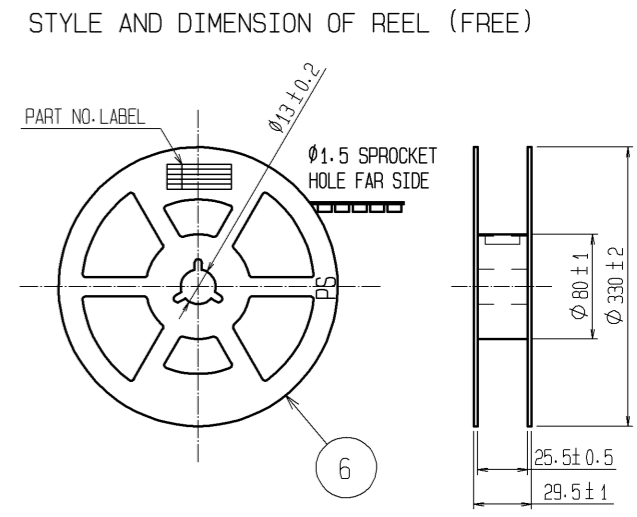
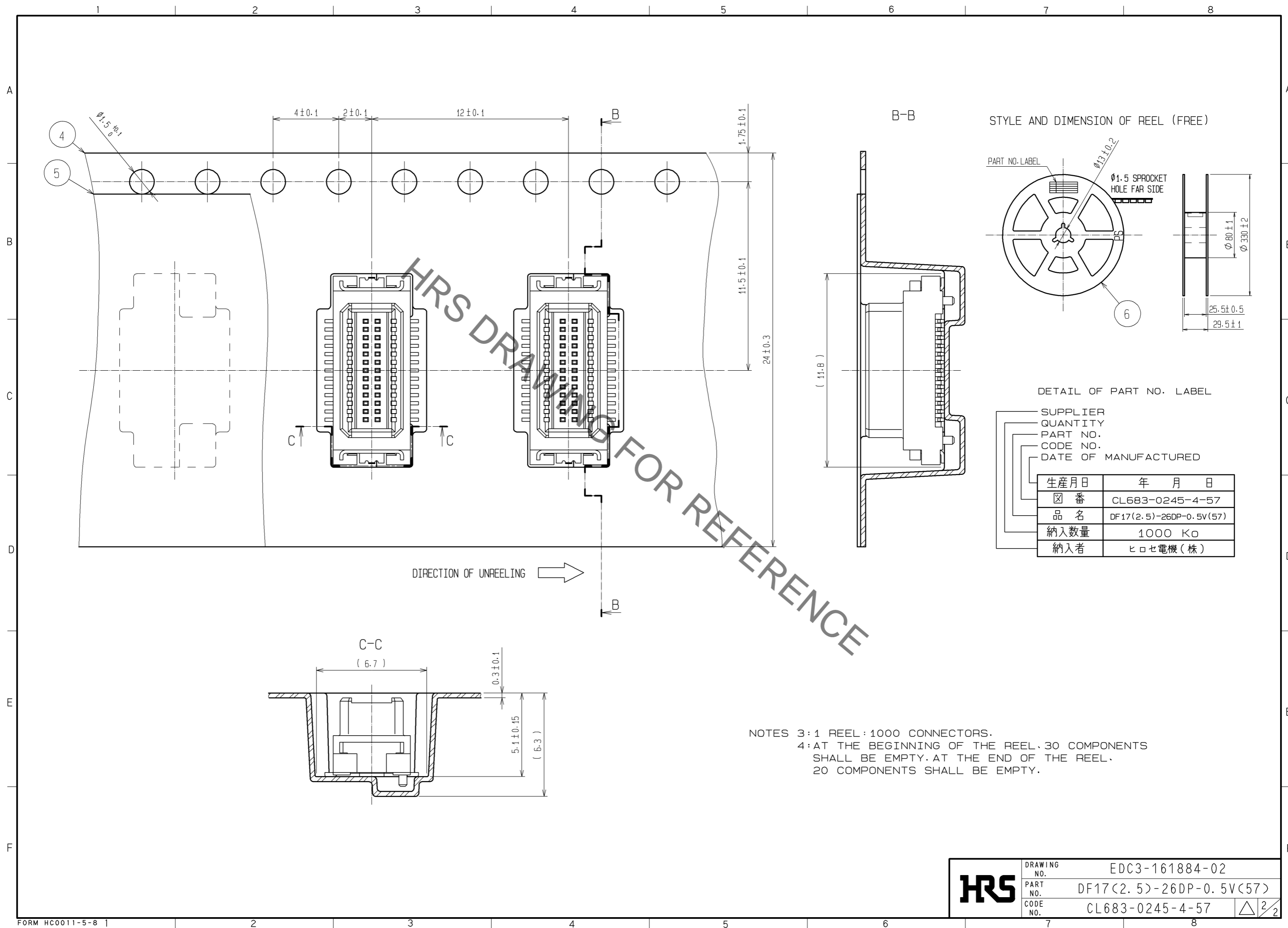
HRS DRAWING FOR REFERENCE



- NOTES
- 1 LEAD CO-PLANARITY INCLUDE REINFORCED METAL FITTINGS SHALL BE 0.1mm MAX.
 - 2 WHEN A PART MARKED WITH HAS A PATTERN BUT NO RESIST ON IT. TAKE CARE TO PREVENT THE CONNECTOR FROM TOUCHING IT.

NO.	MATERIAL	FINISH . REMARKS	NO.	MATERIAL	FINISH . REMARKS		
2	POLYAMIDE (PA6T)	WHITE BEIGE . UL94V-0	6	PS	PLASTIC REEL . BLACK		
1	PHOSPHER BRONZE	CONTACT AREA:GOLD PLATED 0.1#m min	5	POLYESTER	CLEAR (COVER TAPE)		
		LEAD AREA:TIN PLATED 1 #m min	4	A-PET	CLEAR (EMBOSSD CARRIER TAPE)		
		UNDER PLATING:NICKEL PLATED 1 #m min	3	PHOSPHER BRONZE	TIN PLATED 1#m min. UNDER PLATING:NICKEL PLATED 1#m min		
UNITS mm		SCALE 5 : 1	COUNT 	DESCRIPTION OF REVISIONS	DESIGNED	CHECKED	DATE
HRS HIROSE ELECTRIC CO., LTD.		APPROVED : KH. IKEDA	08.11.27	DRAWING NO. EDC3-161884-02			
		CHECED : TS. MIYAZAKI	08.11.27	PART NO. DF17(2.5)-26DP-0.5V(57)			
		DESIGNED : TY. YAMASAKI	08.11.26	CODE NO. CL683-0245-4-57			
		DRAWN : TY. YAMASAKI	08.11.26				

May.1.2023 Copyright 2023 HIROSE ELECTRIC CO., LTD. All Rights Reserved.
 In case of consideration for using Automotive equipment / device which demand high reliability, kindly contact our sales window correspondents.



DETAIL OF PART NO. LABEL

SUPPLIER
 QUANTITY
 PART NO.
 CODE NO.
 DATE OF MANUFACTURED

生産月日	年 月 日
☑ 番	CL683-0245-4-57
品名	DF17(2.5)-26DP-0.5V(57)
納入数量	1000 K ϕ
納入者	ヒロセ電機(株)

NOTES 3:1 REEL : 1000 CONNECTORS.
 4: AT THE BEGINNING OF THE REEL, 30 COMPONENTS SHALL BE EMPTY. AT THE END OF THE REEL, 20 COMPONENTS SHALL BE EMPTY.

HRS	DRAWING NO.	EDC3-161884-02
	PART NO.	DF17(2.5)-26DP-0.5V(57)
	CODE NO.	CL683-0245-4-57
		\triangle 2/2