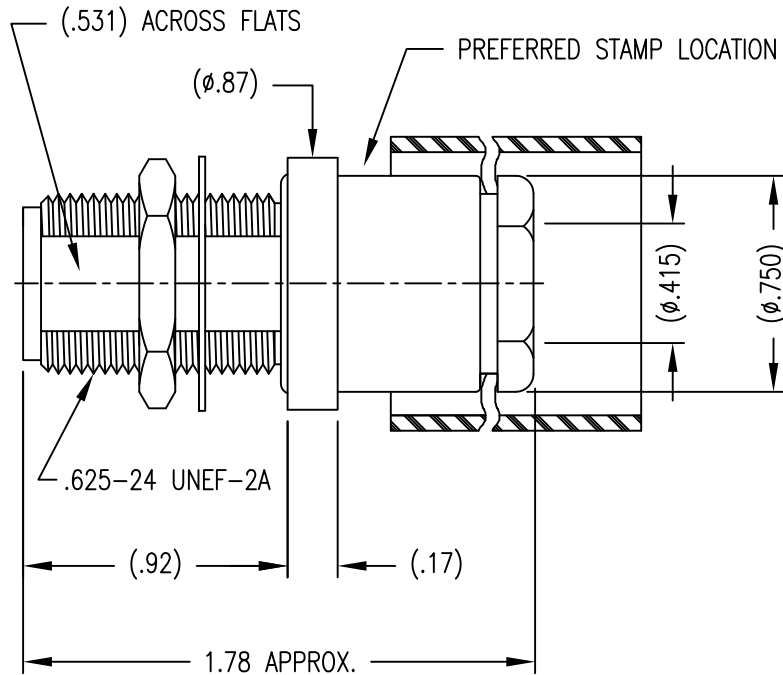
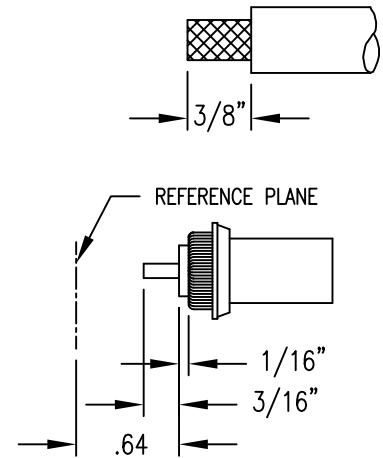


NOTICE OF PROPRIETARY RIGHTS THIS DOCUMENT CONTAINS CONFIDENTIAL TECHNICAL DATA, INCLUDING TRADE SECRETS, PROPRIETARY TO TIMES MICROWAVE SYSTEMS. DISCLOSURE OF THIS DATA IS EXPRESSLY CONDITIONED UPON YOUR ASSENT THAT ITS USE IS LIMITED TO USE WITHIN YOUR COMPANY ONLY. ANY OTHER USE IS STRICTLY PROHIBITED WITHOUT THE PRIOR WRITTEN CONSENT OF TIMES MICROWAVE SYSTEMS.

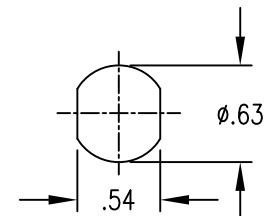
SYM	REVISION DESCRIPTION	DFTM	DATE	APPD	DATE
-	RELEASED FOR PRODUCTION	J. C. L.	5/21/01	J. C. L.	5/21/01
A	CHANGED PER CDC #37538	J. D. B.	4/24/13	J. D. B.	4/25/13



CABLE PREPARATION DETAIL
(NOT TO SCALE)



RECOMMENDED PANEL CUTOUT



- | | |
|--|--|
| 1.0 PERFORMANCE | 2.3 ALL OTHER METAL PARTS: BRASS |
| 1.1 FREQUENCY RANGE: DC-11GHz | 2.4 O-RING: BUNA N |
| 1.2 NOMINAL IMPEDANCE: 50 OHMS | 2.5 GASKET: SI RUBBER |
| 1.3 DWV: 2500V RMS @ 60Hz (sea level) | 2.6 SHRINK SLEEVE: THICK WALL POLYOLEFIN |
| 1.4 TEMPERATURE RANGE: -65°C TO +165°C | 3.0 FINISHES: BODY: ALBALOY |
| 1.5 PIM: -150 dBc | CONTACT: 30Au/Cu |
| 2.0 MATERIALS: RoHS | 4.0 MECHANICAL |
| 2.1 DIELECTRIC: PTFE | 4.1 INTERFACE PER MIL-STD-348 |
| 2.2 CENTER CONTACT: BeCu | 4.2 NON-CAPTIVE CONTACT |

MATERIAL:	UNLESS OTHERWISE SPECIFIED ALL DIMENSIONS ARE IN INCHES MACHINED SURFACES FINISH 32 RMS MAX. REMOVE ALL BURRS .005 MAX. BREAK MACHINE CORNERS .005 MAX. FILLET R. TOLERANCES ON DECIMALS .XX ± .03 .XXX ± .005 ANGLES ± 1° FRACTIONS ± 1/64	DFTM. J. C. L.	TIMES MICROWAVE SYSTEMS
		DATE 5/21/01	
USED ON: E		CHKD. J. C. L.	TC-400-NFC-BH (A) N FEMALE BULKHEAD FOR LMR-400 CABLE
		DATE 5/21/01	
SCALE: N/A	DWG. SIZE A	APPD. J. C. L.	SHEET 1 of 1
		DO NOT SCALE DRAWING	
	CODE IDENT 68999	DATE 5/21/01	REV. A