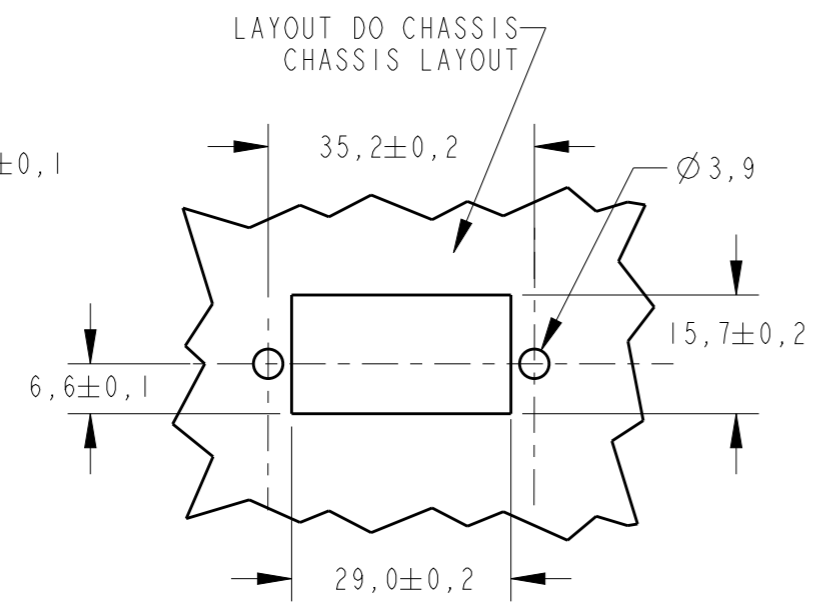
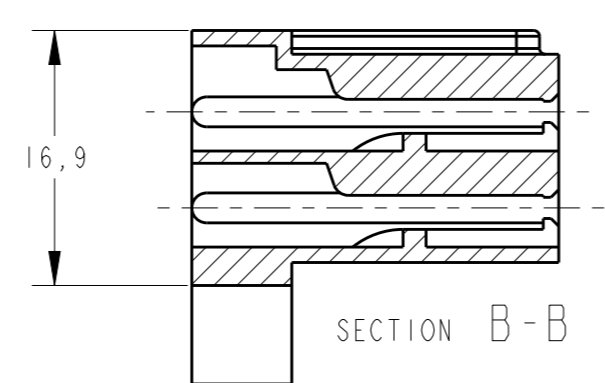
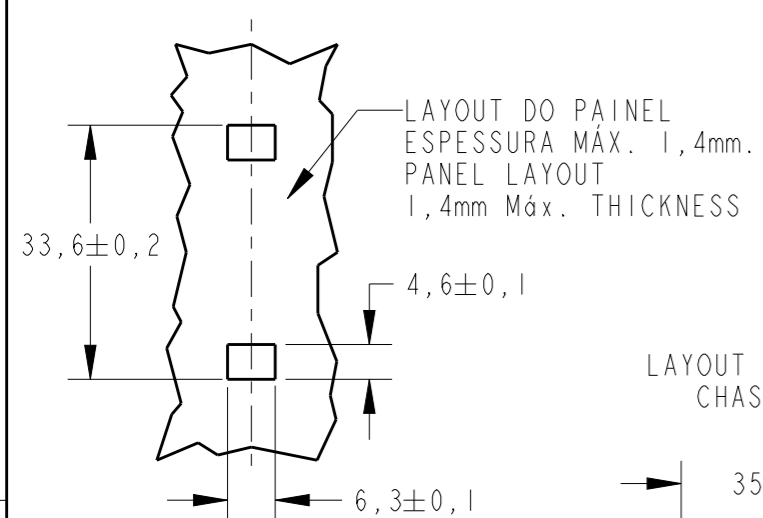
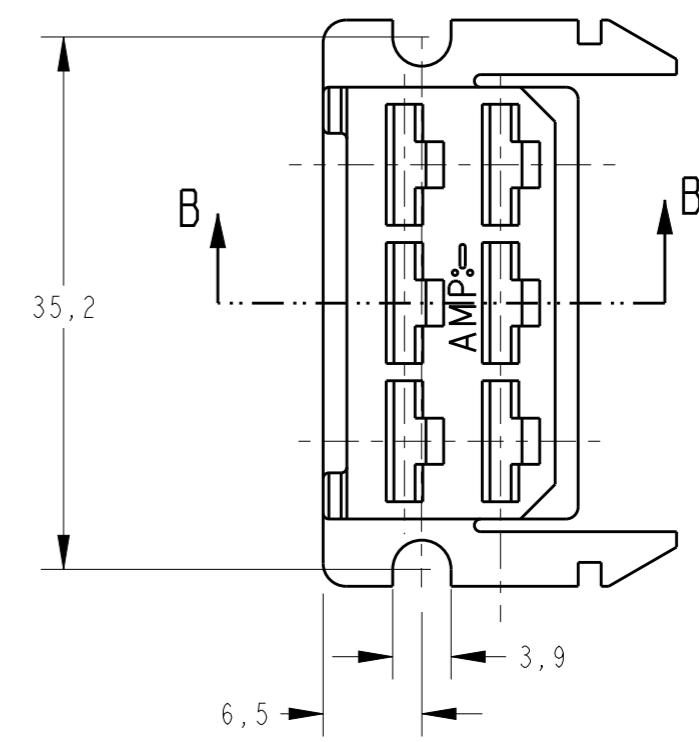
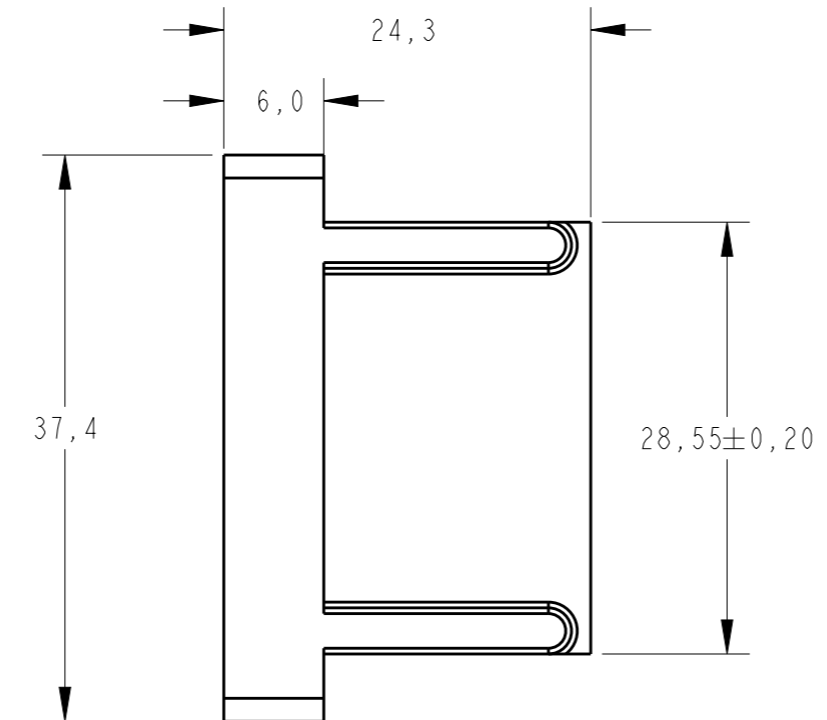
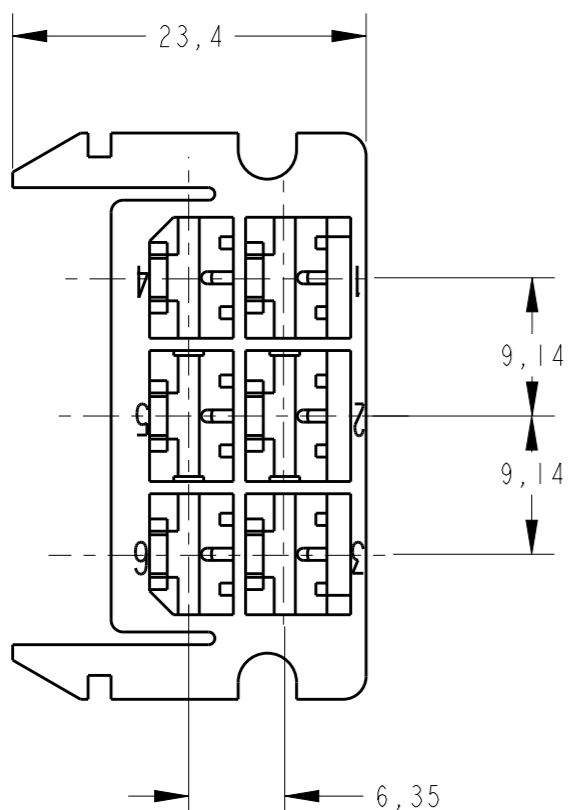


THIS DRAWING IS UNPUBLISHED. RELEASED FOR PUBLICATION 20  
 © COPYRIGHT 20 BY - ALL RIGHTS RESERVED.

LOC AP DIST -

REVISIONS					
P	LTR	DESCRIPTION	DATE	DWN	APVD
	F	REDRAW BY ECO-06-026171	31JAN07	H.C	WLS
	F1	REVISED BY ECO 16-005803	28JUN2016	HC	WLS
	G	REVISED BY ECO 16-011418	16NOV2016	HC	WLS
	G1	REV. BY ECO 17-013917	20SEP2017	HC	HC



△ -MATÉRIA-PRIMA CONFORME IEC 60335-1 GWT 750°C SEM CHAMA.  
 RAW MATERIAL ACC. TO IEC 60335-1 GWT 750°C WITHOUT FLAME.

<del>OBSOLETE</del>	<del>NATURAL</del>	<del>PA 6.6</del>	<del>1 163006 0</del>
<del>OBSOLETE</del>	<del>LARANJA/ORANGE</del>	<del>PA 6.6</del>	<del>163006 9</del>
<del>OBSOLETE</del>	<del>VIOLETA/VIOLET</del>	<del>PA 6.6</del>	<del>163006 8</del>
<del>OBSOLETE</del>	<del>CINZA/GREY</del>	<del>PA 6.6</del>	<del>163006 7</del>
<del>OBSOLETE</del>	<del>MARROM/BROWN</del>	<del>PA 6.6</del>	<del>163006 6</del>
<del>OBSOLETE</del>	<del>PRETO/BLACK</del>	<del>PA 6.6</del>	<del>163006 5</del>
<del>OBSOLETE</del>	<del>AMARELO/YELLOW</del>	<del>PA 6.6</del>	<del>163006 4</del>
<del>OBSOLETE</del>	<del>AZUL/BLUE</del>	<del>PA 6.6</del>	<del>163006 3</del>
<del>OBSOLETE</del>	<del>VERDE/GREEN</del>	<del>PA 6.6</del>	<del>163006 2</del>
	VERMELHO/RED	PA 6.6	163006-1
	NATURAL	PA 6.6	163006-0
	FINISH	MATERIAL	PART NUMBER

THIS DRAWING IS A CONTROLLED DOCUMENT.

DIMENSIONS:	TOLERANCES UNLESS OTHERWISE SPECIFIED:
mm	0 PLC ±-
	1 PLC ±0,3
	2 PLC ±0,3
	3 PLC ±-
	4 PLC ±-
	ANGLES ±-
MATERIAL -	FINISH -

DWN	H.C.CANTERI	16OCT2006
CHK	W.L.STEFANI	16OCT2006
APVD	-	-
PRODUCT SPEC	-	-
APPLICATION SPEC	-	-
WEIGHT	-	-
CUSTOMER DRAWING		

**STE** TE Connectivity

NAME: 6 WAY FASTIN-ON REC. HSG.

SIZE	CAGE CODE	DRAWING NO	RESTRICTED TO
A3	00779	C=163006	-

SCALE: 1/1 SHEET: 1 OF 1 REV: G1