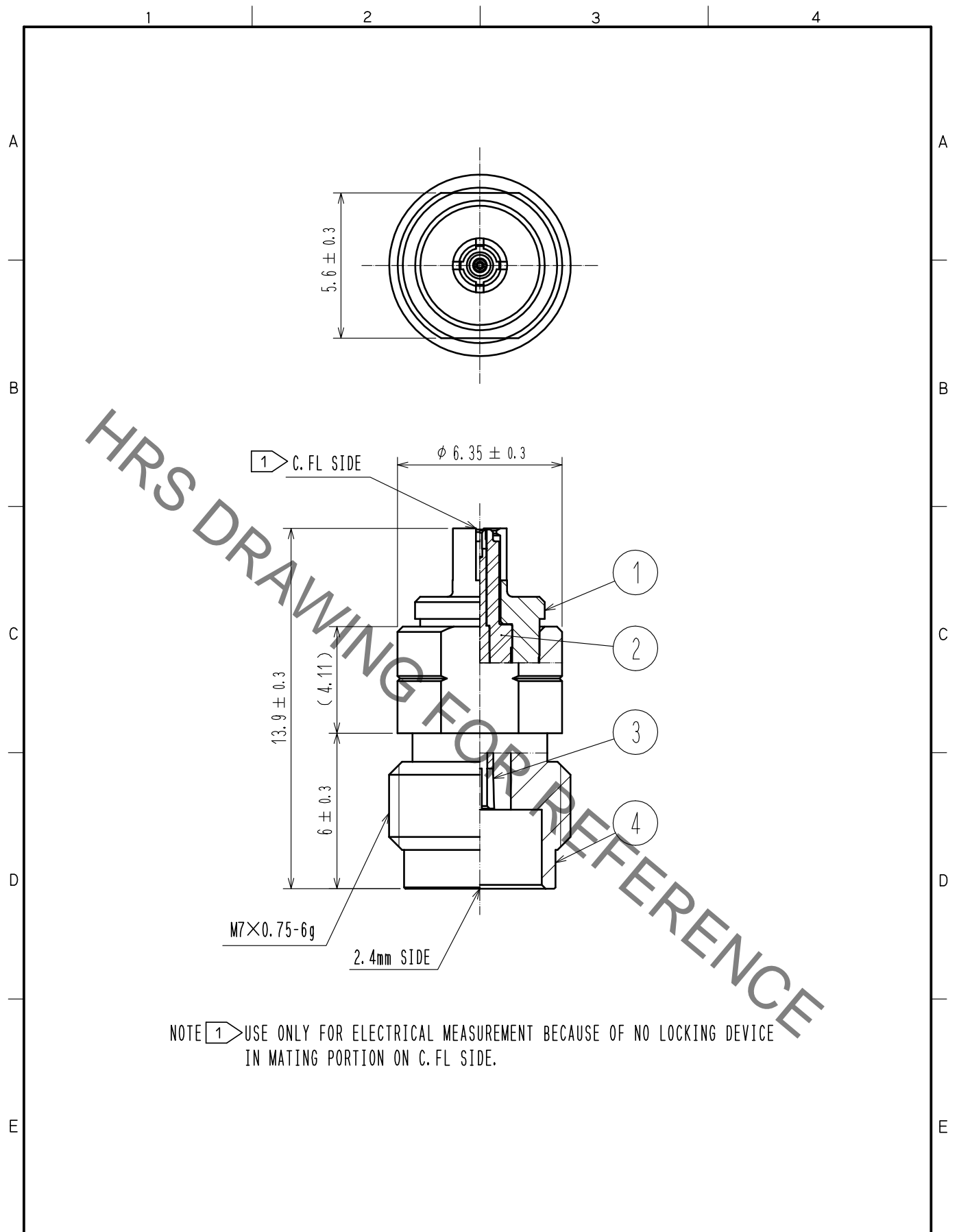


May.1.2023 Copyright 2023 HIROSE ELECTRIC CO., LTD. All Rights Reserved.
 In case of consideration for using Automotive equipment / device which demand high reliability, kindly contact our sales window correspondents.



NOTE 1 USE ONLY FOR ELECTRICAL MEASUREMENT BECAUSE OF NO LOCKING DEVICE IN MATING PORTION ON C. FL SIDE.

2	PTFE		4	STAINLESS STEEL	PASSIVATE		
1	BERYLLIUM COPPER	NICKEL PLATING	3	BERYLLIUM COPPER	GOLD PLATING		
NO.	MATERIAL	FINISH . REMARKS	NO.	MATERIAL	FINISH . REMARKS		
UNITS mm		SCALE 5 : 1	COUNT 	DESCRIPTION OF REVISIONS	DESIGNED	CHECKED	DATE
HIROSE ELECTRIC CO., LTD.	APPROVED : TS. NOBE	20200603	DRAWING NO.	EDC-379942-00-00			
	CHECKED : NK. NINOMIYA	20200603	PART NO.	C. FLP-H2. 4J			
	DESIGNED : TK. SAWAGUCHI	20200603	CODE NO.	CL311-0021-0-00			
	DRAWN : TK. SAWAGUCHI	20200603		1 / 1			