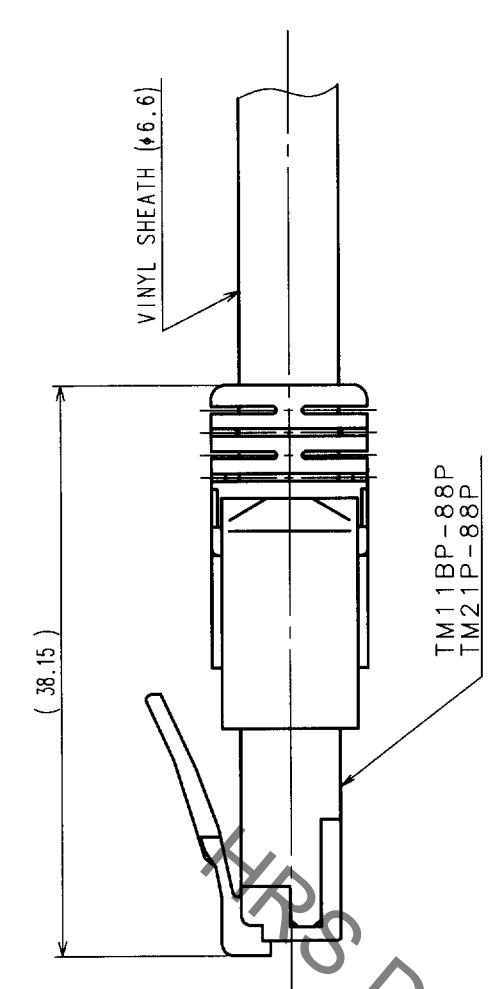


COUNT	DESCRIPTION OF REVISIONS	BY	CHKD	DATE	COUNT	DESCRIPTION OF REVISIONS	BY	CHKD	DATE
△					△				
△					△				
△					△				

ASSEMBLED



NOTES: 1. () INDICATES THE REFERENCE DIMENSIONS.
 2. COLOR NO.S ARE SHOWN IN TABLE-1.
 3. PER BAG: 50 PIECES.

TABLE-1

PART NO.	HRS NO.	COLOR
TM11BP-8-CV (11)	CL222-2898-6-11	LIGHT BEIGE
TM11BP-8-CV (12)	CL222-2898-6-12	MEDIUM GRAY
TM11BP-8-CV (13)	CL222-2898-6-13	BLACK
TM11BP-8-CV (14)	CL222-2898-6-14	NATURAL LIGHT GRAY
TM11BP-8-CV (15)	CL222-2898-6-15	RED
TM11BP-8-CV (16)	CL222-2898-6-16	GREEN
TM11BP-8-CV (17)	CL222-2898-6-17	BLUE
TM11BP-8-CV (18)	CL222-2898-6-18	YELLOW
TM11BP-8-CV (19)	CL222-2898-6-19	ORANGE

TO	Q2
----	----

1 POLYPROPYLENE		2		FINISH, REMARKS		FINISH, REMARKS	
NO.	MATERIAL	NO.	MATERIAL	CHECKED	APPROVED	RELEASED	
CODE NO. (OLD)		DRAWN	DESIGNED				
		S. Sato	S. Sato	T. Watanabe	H. Murai		
		'00-10-06	'00-10-06	'00-10-06	'00-10-06	'00-10-06	
DRAWING NO.			PART NO.				
EDC3-122818-01			TM11BP-8-CV (1)				
SCALE			CODE NO.				
2 : 1			CL222-2898-6-1				
UNITS			HRS HIROSE ELECTRIC CO., LTD				
mm							