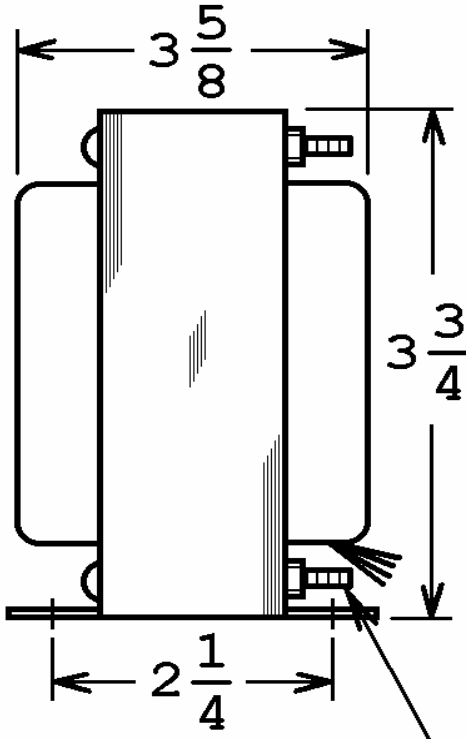


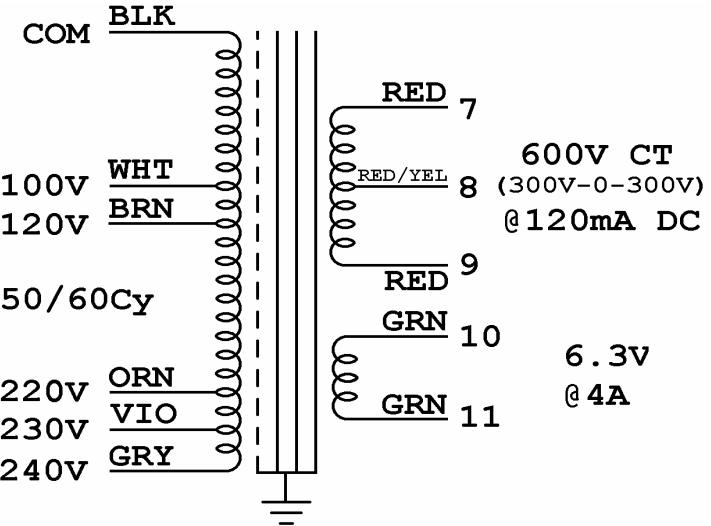
40-18079

This drawing is the property of Magnetic Components, Inc. and shall not be reproduced, in whole or in part, without the written permission of Magnetic Components, Inc.

| REVISIONS | | | |
|-----------|---|----------|-------------|
| LTR | DESCRIPTION | DATE | APPROVED |
| A | ADD MOUNTING CENTERS FOR LAY-DOWN STYLE | 09/12/11 | M. Sacketti |
| B | ADD VOLTAGE TOLERANCE | 03/01/12 | M. Sacketti |



SEE NOTE



VOLTAGE TOLERANCE +/- 5% AT RATED LOAD

NOTE: RIGHT SIDE END BELL IS REMOVABLE FOR LAY-DOWN STYLE MOUNTING WITH #8-32 SCREWS ON 2.5 X 3.125 MOUNTING CENTERS.

| | | | | | | | | | | |
|---|--|---------------------------|--|-------------|--|---------------------------|-------|-------------------|-----------------|----------|
| UNLESS OTHERWISE SPECIFIED | | SIGNATURES | | DATE | | MAGNETIC COMPONENTS, INC. | | DIV : | | |
| ALL DIMENSIONS IN INCHES DO NOT SCALE DRAWING | | DRAWN : <i>M.S.</i> | | 24 AUG 2011 | | TITLE | | LOC : SCHILLER PK | | |
| FRACTIONS +/- | | CHECK : | | | | VOX AC15 POWER | | | | |
| .X = +/- | | APPR : <i>M. Sacketti</i> | | 24 AUG 2011 | | CAGE | 50508 | SIZE | PART No. | REV |
| .XX = +/- | | | | | | SCALE | NONE | A | 40-18079 | B |
| .XXX = +/- | | | | | | SHEET : | | | | |
| ANGLES = +/- | | | | | | | | | | |