

Surface Mount Power Splitter/Combiner

4 Way-0° 50Ω 5 to 1000 MHz

JS4PS-1W+ JS4PS-1W



Generic photo used for illustration purposes only

CASE STYLE: BK377

+RoHS Compliant

The +Suffix identifies RoHS Compliance. See our web site for RoHS Compliance methodologies and qualifications

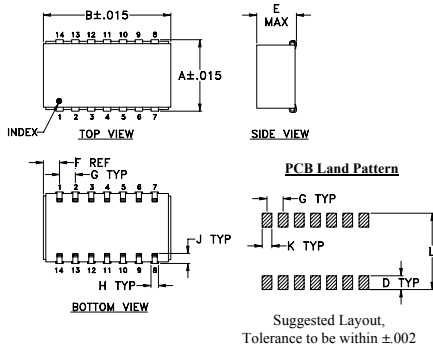
Maximum Ratings

Operating Temperature	-40°C to 85°C
Storage Temperature	-55°C to 100°C
Power Input (as a splitter)	0.5W max.
Internal Dissipation	0.375W max.
Permanent damage may occur if any of these limits are exceeded.	

Pin Connections

SUM PORT	10
PORT 1	2
PORT 2	3
PORT 3	5
PORT 4	6
GROUND	1,4,7,8,9,11,12,13,14

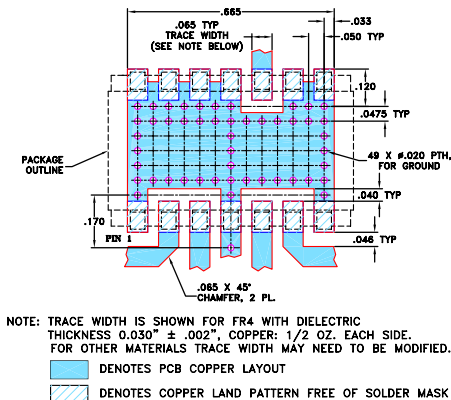
Outline Drawing



Outline Dimensions (inch/mm)

A	B	C	D	E	F
.505	.800	--	.100	.250	.100
12.83	20.32	--	2.54	6.35	2.54
G	H	J	K	L	wt
.100	.047	.065	.065	.525	grams
2.54	1.19	1.651	1.65	13.34	3.0

Demo Board MCL P/N: TB-133 Suggested PCB Layout (PL-091)



Notes

- Performance and quality attributes and conditions not expressly stated in this specification document are intended to be excluded and do not form a part of this specification document.
- Electrical specifications and performance data contained in this specification document are based on Mini-Circuit's applicable established test performance criteria and measurement instructions.
- The parts covered by this specification document are subject to Mini-Circuit's standard limited warranty and terms and conditions (collectively, "Standard Terms"); Purchasers of this part are entitled to the rights and benefits contained therein. For a full statement of the Standard Terms and the exclusive rights and remedies thereunder, please visit Mini-Circuit's website at www.minicircuits.com/MCLStore/terms.jsp

Features

- wideband frequency, 5 to 1000 MHz
- good input matching, VSWR 1.2 typ.
- good output matching, VSWR 1.1 typ.
- shielded case
- aqueous washable
- protected under US patent 6,963,255

Applications

- VHF/UHF-TV receivers/transmitters
- cellular

Electrical Specifications

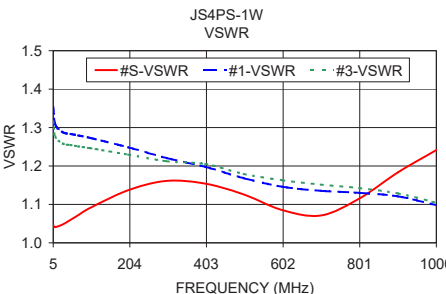
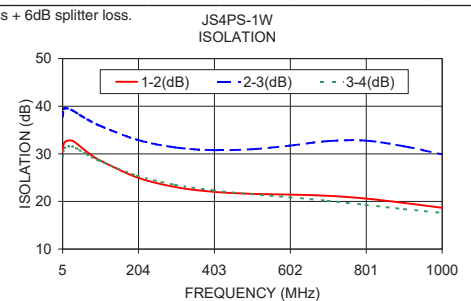
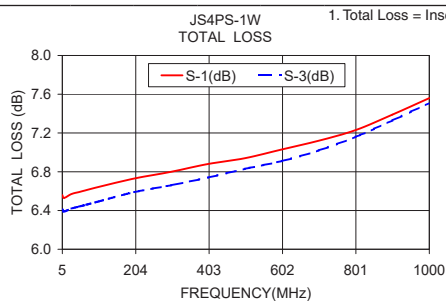
FREQ. RANGE (MHz)	ISOLATION (dB)						INSERTION LOSS (dB) ABOVE 6.0 dB						PHASE UNBALANCE (Degrees)			AMPLITUDE UNBALANCE (dB)			
	L		M		U		L		M		U		L	M	U	L	M	U	
	Typ.	Min.	Typ.	Min.	Typ.	Min.	Typ.	Max.	Typ.	Max.	Typ.	Max.	Max.	Max.	Max.	Max.	Max.	Max.	
f _L -f _U																			
5-1000	29	20	26	18	20	15	0.3	1.1	0.8	1.5	1.5	2.4	5	5	12	0.8	0.7	0.7	

L = low range [f_L to 10 f_L] M = mid range [10 f_L to f_U/2] U = upper range [f_U/2 to f_U]

Typical Performance Data

Freq. (MHz)	Total Loss ¹ (dB)				Amp. Unbal. (dB)	Isolation (dB)			Phase Unbal. (deg.)	VSWR S	VSWR 1	VSWR 2	VSWR 3	VSWR 4
	S-1	S-2	S-3	S-4		1-2	2-3	3-4						
5.00	6.56	6.36	6.41	6.21	0.36	30.36	37.82	29.37	0.69	1.05	1.35	1.29	1.32	1.26
10.00	6.53	6.34	6.39	6.20	0.34	32.42	39.54	31.18	0.39	1.04	1.31	1.25	1.28	1.23
30.00	6.57	6.38	6.42	6.24	0.33	32.75	39.14	31.56	0.18	1.05	1.29	1.24	1.26	1.21
50.00	6.59	6.40	6.44	6.26	0.33	31.59	38.16	30.74	0.23	1.06	1.28	1.23	1.25	1.21
70.00	6.61	6.42	6.46	6.28	0.33	30.35	37.24	29.84	0.28	1.07	1.28	1.23	1.25	1.21
100.00	6.64	6.44	6.49	6.30	0.34	28.75	36.00	28.60	0.48	1.09	1.27	1.22	1.25	1.20
200.00	6.73	6.54	6.59	6.40	0.33	25.05	32.97	25.41	0.99	1.14	1.25	1.20	1.23	1.19
300.00	6.80	6.62	6.66	6.48	0.32	23.04	31.34	23.48	1.43	1.16	1.22	1.18	1.21	1.17
400.00	6.88	6.70	6.74	6.56	0.32	22.03	30.78	22.32	1.93	1.15	1.20	1.17	1.21	1.16
500.00	6.94	6.77	6.83	6.64	0.31	21.60	30.97	21.54	2.25	1.13	1.17	1.16	1.18	1.15
600.00	7.03	6.88	6.91	6.74	0.29	21.44	31.71	20.88	2.64	1.09	1.15	1.16	1.16	1.15
700.00	7.12	6.99	7.02	6.85	0.26	21.20	32.66	20.14	2.87	1.07	1.14	1.17	1.15	1.16
800.00	7.23	7.13	7.16	7.00	0.24	20.60	32.77	19.28	3.13	1.12	1.13	1.18	1.14	1.16
900.00	7.39	7.33	7.33	7.19	0.20	19.68	31.58	18.40	3.28	1.18	1.12	1.19	1.13	1.16
1000.00	7.56	7.56	7.51	7.39	0.17	18.66	29.87	17.60	3.43	1.24	1.10	1.19	1.10	1.15

1. Total Loss = Insertion Loss + 6dB splitter loss.



electrical schematic

