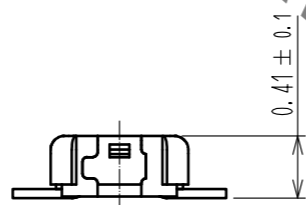
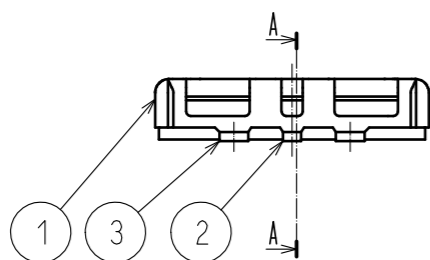
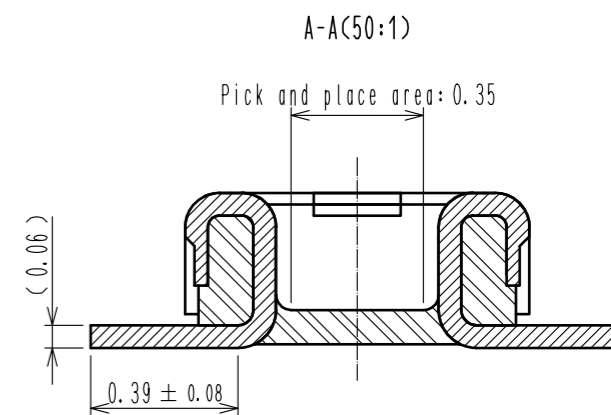
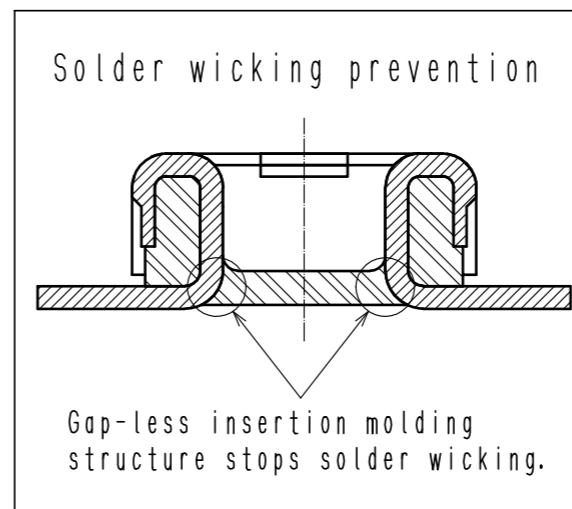
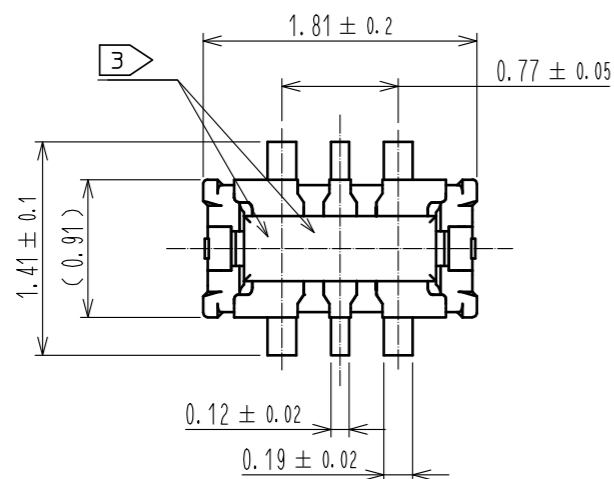
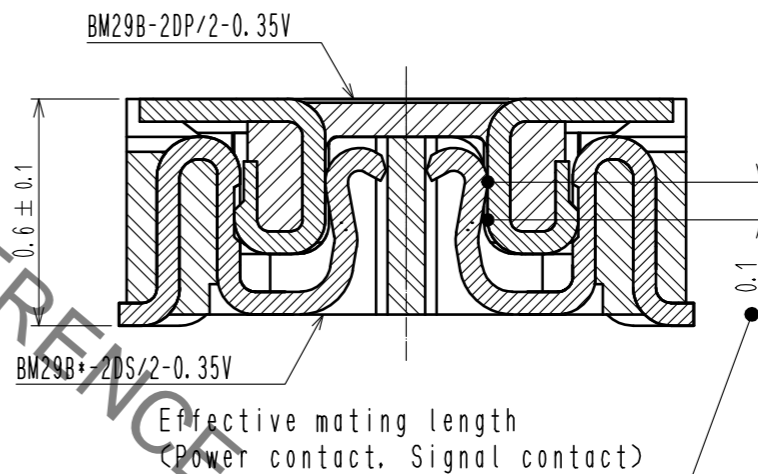


May.1.2023 Copyright 2023 HIROSE ELECTRIC CO., LTD. All Rights Reserved.
In case of consideration for using Automotive equipment / device which demand high reliability, kindly contact our sales window correspondents.



△ Effective contact length deleted



- NOTE 1 . All lead co-planarity shall be 0.08mm MAX.
- 2 . Contact plating specifications
 Contact area : Gold 0.05 μm MIN
 SMT lead : Gold 0.05 μm MIN
 Under plating : Nickel 1 μm MIN
 (Surface : Sealing)
- 3 . HRS mark and CAV No. are indicated in approx. position shown.

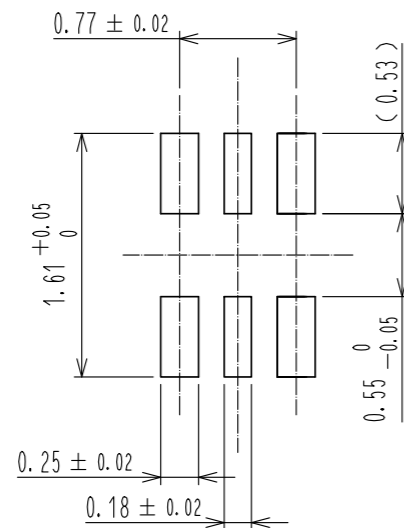
NO.	MATERIAL	FINISH . REMARKS	NO.	MATERIAL	FINISH . REMARKS
3	PHOSPHOR BRONZE	2	7	PS	CLEAR. REINFORCEMENT COLLAR
2	PHOSPHOR BRONZE	2	6	PS	BLACK. PLASTIC REEL
1	LCP	UL94 V-0. BLACK	5	POLYESTER	CLEAR. COVER TAPE
			4	PS	SMOKE GRAY. EMBOSSED CARRIER TAPE

UNITS	SCALE	COUNT	DESCRIPTION OF REVISIONS	DESIGNED	CHECKED	DATE
mm	20:1	3	DIS-H-00010235	RT. OSAKI	TS. MIYAZAKI	20210716

APPROVED	20150323	DRAWING NO.	EDC-362710-51-00
MO. ISHIDA		PART NO.	BM29B-2DP/2-0.35V(51)
KY. MIDORIKAWA		CODE NO.	CL0673-7002-0-51
TY. YAMASAKI			
TY. YAMASAKI			

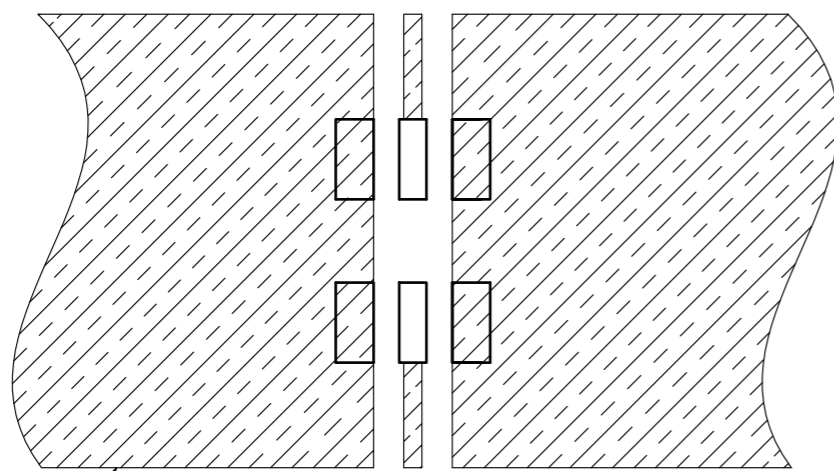
May.1.2023 Copyright 2023 HIROSE ELECTRIC CO., LTD. All Rights Reserved.
In case of consideration for using Automotive equipment / device which demand high reliability, kindly contact our sales window correspondents.

◆Recommended PCB layout

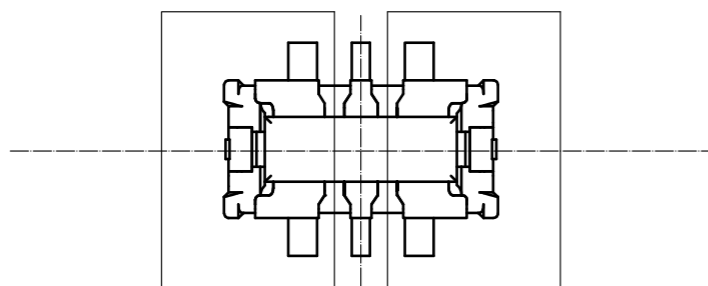


◆Recommended metal mask dimensions
Metal mask thickness : 80 μm
(Open ratio : 80% for PCB layout)

◆Recommended electrical circuit layout

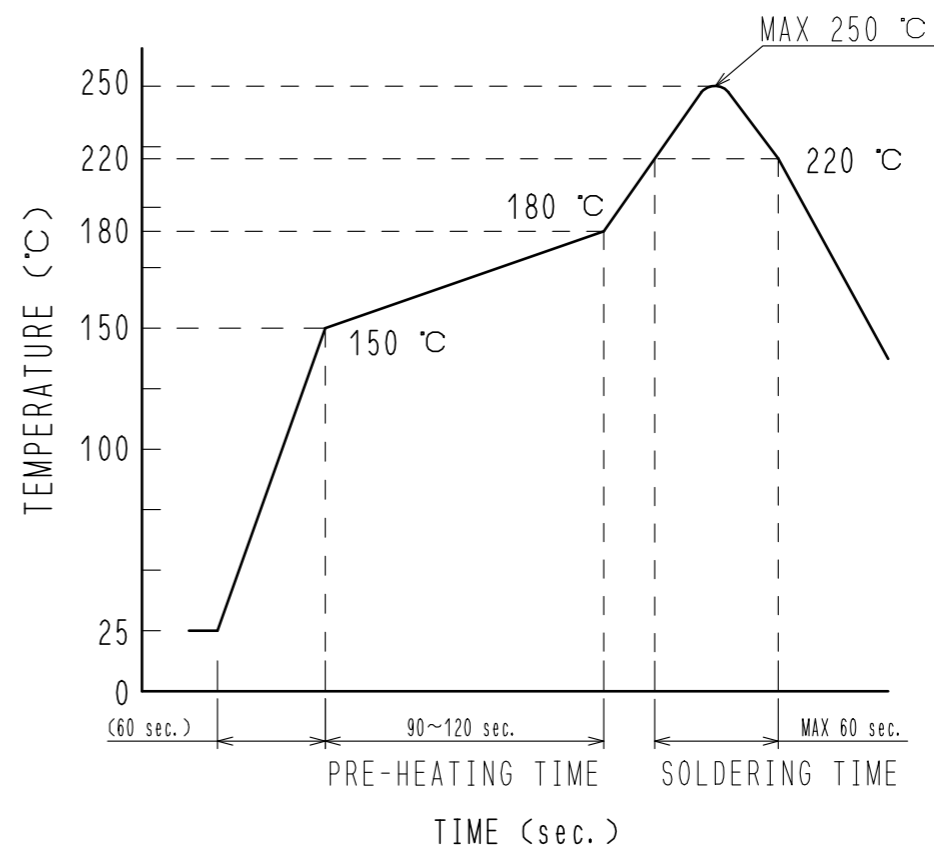


Electrical circuit



Power pin unit

4 Recommended reflow temperature profile using lead-free solder paste.



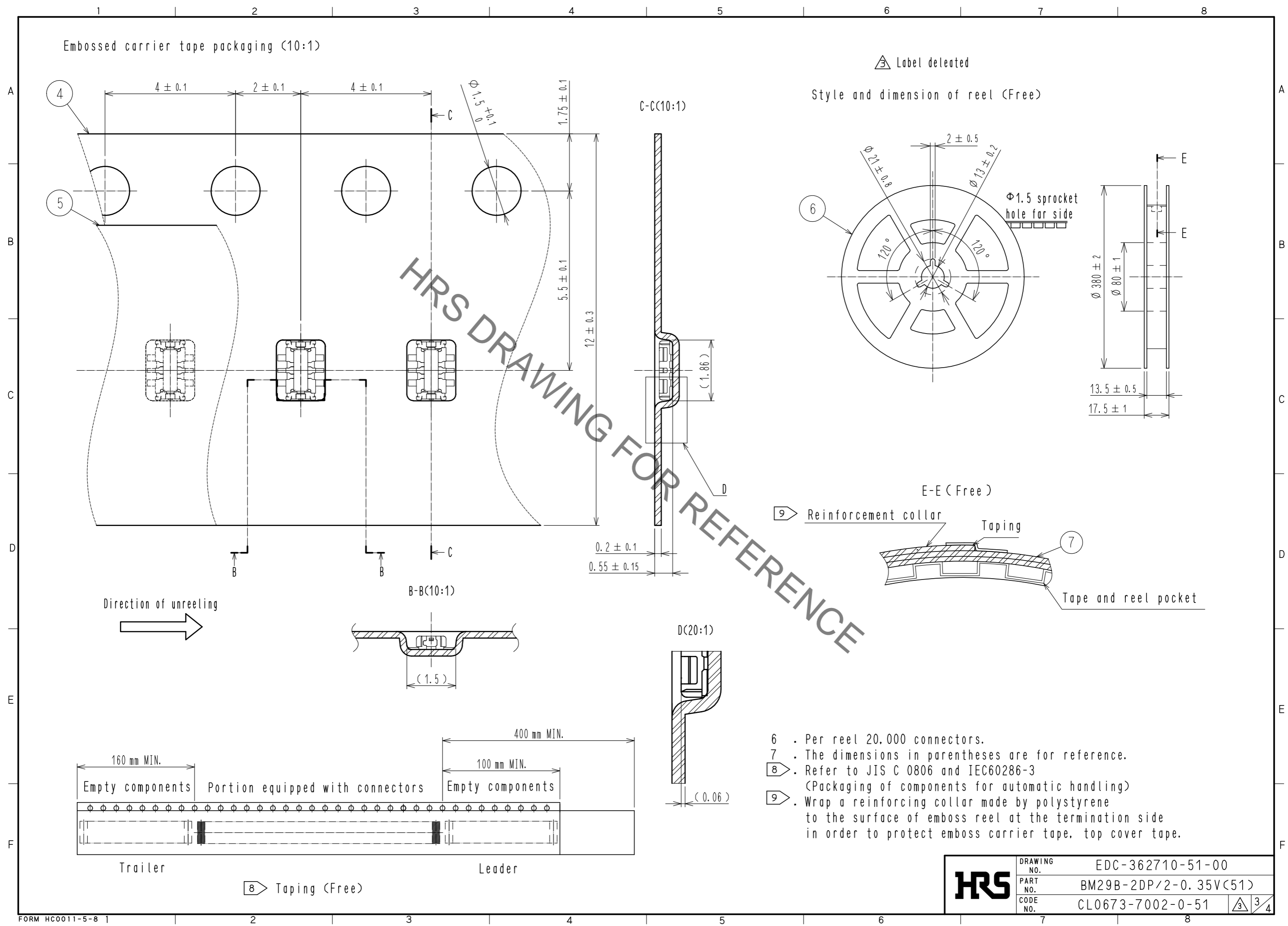
Reflow method: IR reflow
Number of reflow cycles: 2 cycles MAX.
1) Reflow time
Duration above 220°C: 60 sec MAX.
(Peak temperature: 250°C MAX)
2) Pre-heat time
Pre-heat temperature (MIN): 150°C
Pre-heat temperature (MAX): 180°C
Pre-heat time: 90-120 sec.

- 4 The temperatures mentioned above refer to the PCB surface temperature near the connector leads. The temperature profiles are based on the above conditions. In individual applications the actual temperature may vary, depending on solder paste type, volume/thickness and board size/thickness. Consult your solder paste and equipment manufacturer for specific recommendations.
- 5 Please contact us in case you will make different settings from our recommendation.

HRS DRAWING FOR REFERENCE

HRS	DRAWING NO.	EDC-362710-51-00
	PART NO.	BM29B-2DP/2-0.35V(51)
	CODE NO.	CL0673-7002-0-51
		3/2/4

May.1.2023 Copyright 2023 HIROSE ELECTRIC CO., LTD. All Rights Reserved.
In case of consideration for using Automotive equipment / device which demand high reliability, kindly contact our sales window correspondents.



HRS DRAWING FOR REFERENCE

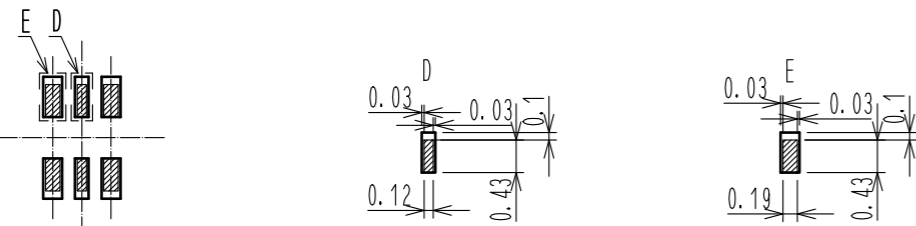
- 6 . Per reel 20,000 connectors.
- 7 . The dimensions in parentheses are for reference.
- 8 . Refer to JIS C 0806 and IEC60286-3
(Packaging of components for automatic handling)
- 9 . Wrap a reinforcing collar made by polystyrene to the surface of emboss reel at the termination side in order to protect emboss carrier tape, top cover tape.

HRS	DRAWING NO.	EDC-362710-51-00	
	PART NO.	BM29B-2DP/2-0.35V(51)	
	CODE NO.	CL0673-7002-0-51	3/4

May.1.2023 Copyright 2023 HIROSE ELECTRIC CO., LTD. All Rights Reserved.
In case of consideration for using Automotive equipment / device which demand high reliability, kindly contact our sales window correspondents.

△10. PLEASE REFER TO THE PRODUCT GUIDELINE ETAD-H1016 FOR DETAIL OF CONNECTOR HANDLING.

THE POSITION BETWEEN THE CONNECTOR AND PAD



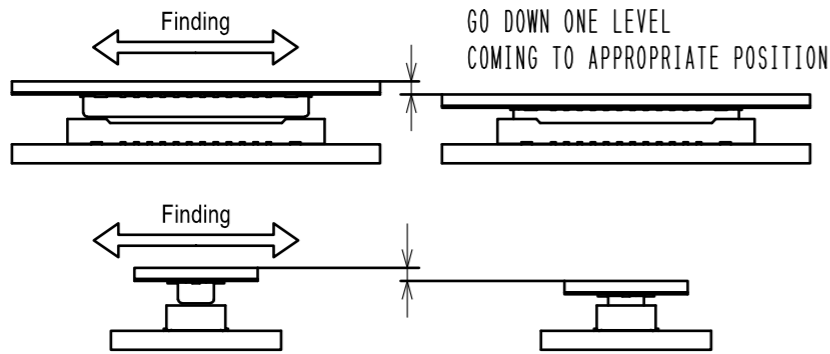
■ Connector lead on OAD layout
□ PAD layout

MATING METHOD

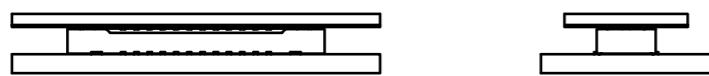
PLEASE MATE THE CONNECTOR BY HAND.

MATING PROCEDURE

- (1) FIND THE ALIGNMENT AREA TO THE CONNECTOR IN THE APPROPRIATE MATING POSITION.
THIS CONNECTOR HAS AN ALIGNMENT CHAMBER(GUIDANCE RIBS) ON RECEPTACLE SIDE AND "R" ON PLUG SIDE, SO THAT THE CONNECTOR WILL BE SELF-ALIGNED.
WHEN THE CONNECTOR COMES TO THE APPROPRIATE POSITION, THE CONNECTOR GOES INTO THE ALIGNED POSITION.
WHEN ALIGNED, IT CAN BE FELT BY HAND.



- (2) WHEN GUIDING, THE CONNECTORS ARE ALIGNED PARALLEL TO EACH OTHER, WITH LONGITUDINAL AND LATERAL MOVEMENTS RESTRICTED. MATE THEM PROPERLY BY APPLYING FORCE IN THIS CONDITION.

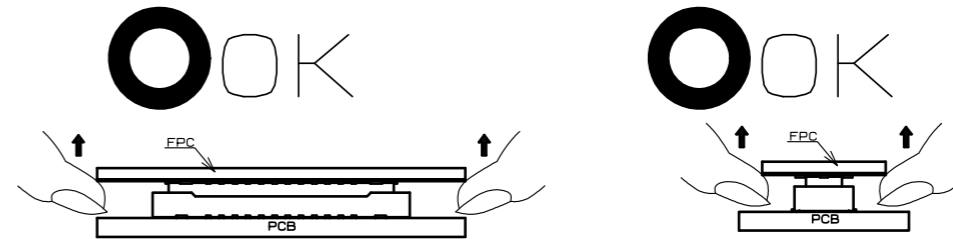


- (3) MAKE SURE THE CONNECTORS ARE MATED CORRECTLY. IF ONE SIDE IS FLOATING OR THE CONNECTORS ARE MATED IN ONE DIRECTION, UN-MATE THEM ONCE, AND THEN MATE THEM AGAIN, FOLLOWING THE PROCEDURES ABOVE FROM THE BEGINNING.

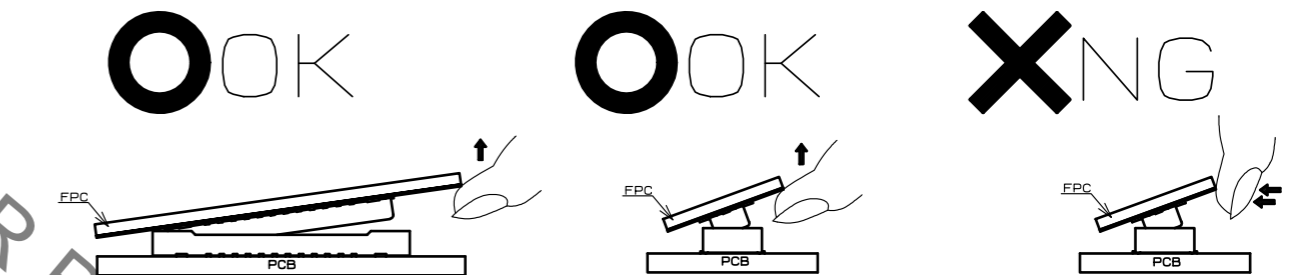
UN-MATING METHOD

PLEASE UN-MATE THE CONNECTOR BY HAND

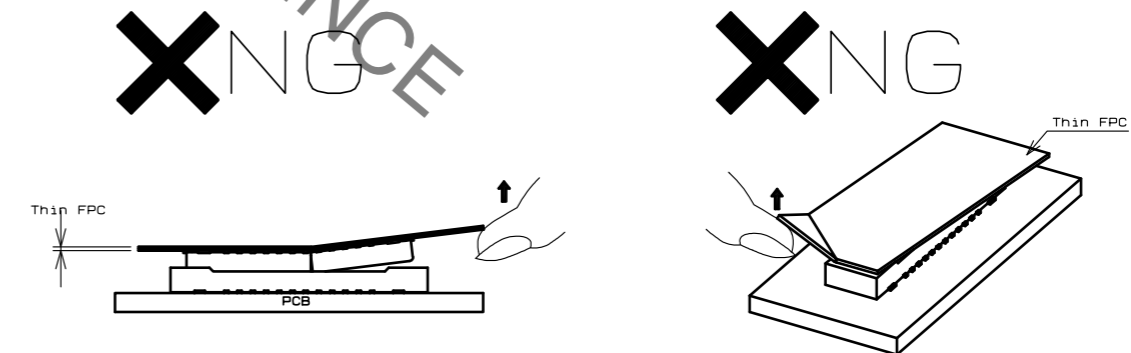
- (1) UN-MATE THE CONNECTORS PARALLEL TO EACH OTHER. HOWEVER, IF THE CONNECTORS HAVE HIGH PIN COUNTS OR THINNER FPC AND STIFFENER, IT BECOMES MORE DIFFICULT TO DO SO.



- (2) IF THE CONNECTOR CANNOT BE UN-MATED PARALLEL IT CAN BE REMOVED DIAGONALLY FROM THE PITCH DIRECTION. BE CAREFUL TO DO SO SINCE THIS ACTION APPLIES STRESS ON THE CONTACT.



- (3) IF THE FPC IS NOT RIGID, THE CONNECTOR CAN BE BROKEN. PLEASE CHECK THE ACTION OF THE FPC TO BE USED REPEATEDLY AT THE TIME OF TRIAL PRODUCTION. BE CAREFUL TO UN-MATE THEM FROM THE PITCH DIRECTION, PULLING IT FROM THE CORNER CAN ALSO RISK TO PUTTING STRESS ON CONTACTS.



HRS	DRAWING NO.	EDC-362710-51-00
	PART NO.	BM29B-2DP/2-0.35V(51)
	CODE NO.	CL0673-7002-0-51
		△ 4/4