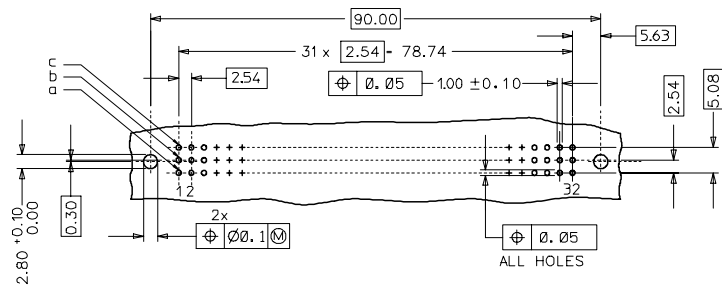
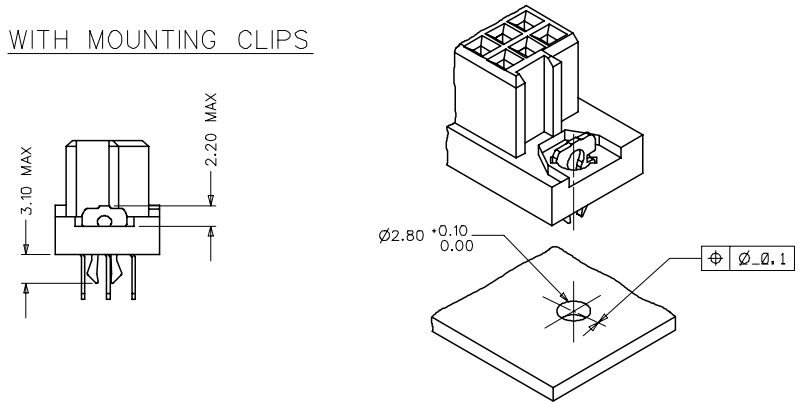


RECOMMENDED PCB LAYOUT
COMPONENT SIDE



WITH MOUNTING CLIPS



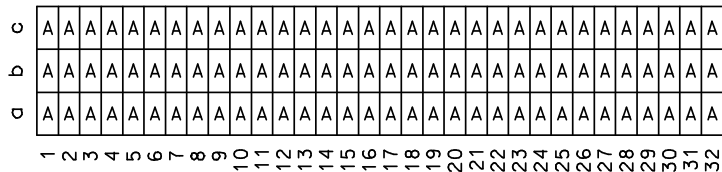
NOTES:

- 1) MATERIALS: THERMOPLASTIC POLYESTER, GLASS FILLED, UL94V-0, COLOUR: PEBBLE GREY RAL 7032
TERMINAL - PHOSPHOR BRONZE
MOUNTING CLIP: STEEL
- 2) FINISH: TERMINAL:-
CONTACT AREA:
1. PERFORMANCE LEVEL 1: SELECTIVE GOLD (Au), THICKNESS = 1.1 MICROMETER
OVER NICKEL, THICKNESS = 1.5 MICROMETER
2. PERFORMANCE LEVEL 2: SELECTIVE GOLD (Au), THICKNESS = 0.6 MICROMETER
OVER NICKEL, THICKNESS = 1.5 MICROMETER
3. PERFORMANCE LEVEL 3: SELECTIVE GOLD (Au), THICKNESS = 0.3 MICROMETER
OVER NICKEL, THICKNESS = 1.5 MICROMETER
TERMINATION AREA:
SELECTIVE TIN, THICKNESS = 5 MICROMETER
OVER NICKEL, THICKNESS = 1.5 MICROMETER OVERALL
- 3) MOUNTING CLIP:-
TIN (Sn), THICKNESS = 5-10 MICROMETER,
OVER NICKEL (Ni), THICKNESS = 2.5 MICROMETER
- 4) FOR NON MOUNTING CLIP OPTION, CONNECTOR TO BE SECURED WITH
RIVETS: 2 TUBULAR RIVETS 2.5 x 0.3 ... DIN 7340
SCREWS: 2 CHEESEHEAD SCREWS M2.5 x ... DIN 84 AND 2 HEXAGONAL NUTS M2.5 DIN 934
- 5) MATERIAL No, BATCH CODE, UL AND CSA MARKING TO BE PRINTED ON THE CONNECTOR.
- 6) CUT FACES OF TIP WITHOUT PLATING PERMITTED.
- 7) PRODUCT SPECIFICATION PS:36500-001

RoHS COMPLIANT

ENTER DESCRIPTION E.C. NO. 12007-0193 DRAWING NO. 2007/01/08 CHKD BY CHANDRASEKAR APPROVED BY 2007/01/09	QUALITY SYMBOLS ▽=0 ▽=0	GENERAL TOLERANCES (UNLESS SPECIFIED)		DIMENSION STYLE MM ONLY		SCALE 2:1	DESIGN UNITS METRIC	THIRD ANGLE PROJECTION	
		4 PLACES ±	±	INCH	DATE	TITLE	ASSEMBLY DIN 41612 C FEMALE 96 POS 1.0MM PCB DIA		
A	DESCRIPTION	3 PLACES ±0.05	±	DRAWN BY SSUDHIR	2000/09/22	MOLEX INCORPORATED			
		2 PLACES ±0.1	±	CHECKED BY G.L.	2000/09/22	MATERIAL NO. 85042-0001	DOCUMENT NO. SD-85042-0001	SHEET NO. 1 OF 1	
DRAFT WHERE APPLICABLE MUST REMAIN WITHIN DIMENSIONS		1 PLACE ±0.15	±	APPROVED BY G.L.	2000/09/22	THIS DRAWING CONTAINS INFORMATION THAT IS PROPRIETARY TO MOLEX INCORPORATED AND SHOULD NOT BE USED WITHOUT WRITTEN PERMISSION			
		ANGULAR ± 2°							

View on mating side

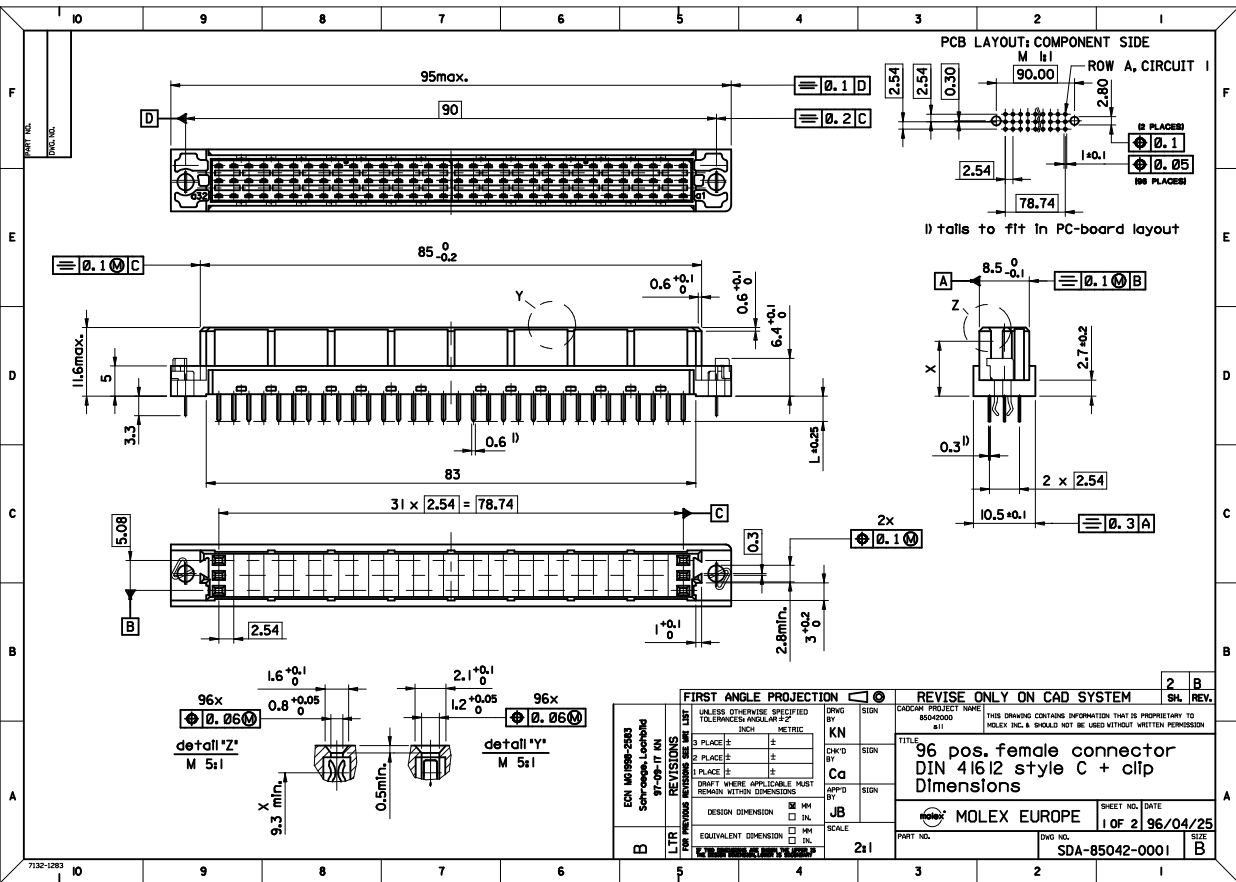


A = 96 standard contacts L=4.5

Marking	Standard
Performance level	G3/0 = Contact area level3 / Termination tin
Flux proof	no
Fixing clip	no
Dimensions	SD-85042-0001 sht.1
Technical Data	PS-85042-0001

A	G3/0	a1-32 b1-32 c1-32
Contact symbol	Perform. level	Contact position number

ENTER DESCRIPTION EC NO: I2008-0396 DRWN: SJ 2008/02/14 CHKD: KPRASAD 2008/02/14 APPR: KPRASAD 2008/02/15	QUALITY SYMBOLS =0 =0	GENERAL TOLERANCES (UNLESS SPECIFIED)		DIMENSION STYLE IN/MM		SCALE ---	DESIGN UNITS INCH	THIRD ANGLE PROJECTION	
				mm	INCH	DRAWN BY	DATE		TITLE
		4 PLACES ± ---		± ---		CHECKED BY		DATE	
		3 PLACES ± ---		± ---					
		2 PLACES ± ---		± ---					
1 PLACE ± ---		± ---		APPROVED BY		DATE			
ANGULAR ± ---°				MATERIAL NO.		DOCUMENT NO.	SHEET NO.		
DRAFT WHERE APPLICABLE MUST REMAIN WITHIN DIMENSIONS		850426062		SD-85042-6062		1 OF 1			
		SIZE A3		THIS DRAWING CONTAINS INFORMATION THAT IS PROPRIETARY TO MOLEX INCORPORATED AND SHOULD NOT BE USED WITHOUT WRITTEN PERMISSION					



SHT. 1 OF		MRI -			
MODIFICATION RECORD INDEX					
ECN	ISS.	DATE	INIT.	SHTS. AFFECTED	DESCRIPTION OF MOD.
2213	A	96.04.26	KN	1 / 2	first release
2253	AI	96.10.01	KN	1	Kontur ueber Rastfenster
2583	B	97.09.17	KN	1	Schraege Im Flanschbereich Lochbild

MOLEX EUROPE		REVISE ONLY ON CAD SYSTEM	
THIS DRAWING CONTAINS INFORMATION THAT IS PROPRIETARY TO MOLEX INC. & SHOULD NOT BE USED WITHOUT WRITTEN PERMISSION		CAD/CAM FILENAME	
MF0028		ISSUE	

LEVEL CHART

1	17	33	49
2	18	34	50
3	19	35	51 LEVEL INDEX
4	20	36	52 RESERVED
5	21	37	53 RESERVED
6	22	38	54 Inspection Balloons
7	23	39	55 DIMENSIONS
8	24	40	56 TABLES/CHARTS
9	25	41	57 REVISION TEXT & MRI
10	26	42	58 Notes/text - English
11	27	43	59 Bill of materials
12	28	44	60 notes/text - german
13	29	45	61
14	30	46	62 notes/text - french
15	31	47	63 RESERVED
16	32	48	

VIEW ON MATING SIDE

A	A	A	A	A	A	A	A	A	A	A	A	A	A	A	A	A	A	A	A	A	A	A	A
A	A	A	A	A	A	A	A	A	A	A	A	A	A	A	A	A	A	A	A	A	A	A	A
A	A	A	A	A	A	A	A	A	A	A	A	A	A	A	A	A	A	A	A	A	A	A	A

1 2 3 4 5 6 7 8 9 10 11 12 13 14 15 16 17 18 19 20 21 22 23 24 25 26 27 28 29 30 31 32 33 34 35 36 37 38 39 40 41 42 43 44 45 46 47 48 49 50 51 52 53 54 55 56 57 58 59 60 61 62 63 64 65 66 67 68 69 70 71 72 73 74 75 76 77 78 79 80 81 82 83 84 85 86 87 88 89 90 91 92 93 94 95 96 97 98 99 100

A = 96 STANDARD CONTACTS L=4,5

Marking	Standard
Performance level	G3/0 = Contact area level3 / Termination tin
Flux proof	no
Fixing clip	no
Dimensions	SDA-85042-0001 sht.1
Technical Data	PS-85042-0001

A	G3/0	a1-32	b1-32	c1-32
Contact symbol	Perform. level	Contact position number		

ECN 2348 first release	REVISIONS		FOR PREVIOUS REVISIONS SEE MRI LIST		REVISE ONLY ON CAD SYSTEM	SH. REV.	
	LTR	REVISIONS	FOR PREVIOUS REVISIONS SEE MRI LIST				SHEET NO.
UNLESS OTHERWISE SPECIFIED TOLERANCES: ANGULAR ± 2°		DRWG BY	KN	SIGN	CAD/CAM PROJECT NAME		
INCH		CHK'D BY	Ca	SIGN	s8504260		
METRIC		APP'D BY	JB	SIGN	s61		
3 PLACE ± .	±	DESIGN DIMENSION	<input type="checkbox"/> MM	<input type="checkbox"/> IN.	THIS DRAWING CONTAINS INFORMATION THAT IS PROPRIETARY TO MOLEX INC. & SHOULD NOT BE USED WITHOUT WRITTEN PERMISSION		
2 PLACE ± .	±	EQUIVALENT DIMENSION	<input type="checkbox"/> MM	<input type="checkbox"/> IN.	TITLE		
1 PLACE ± .	±	DRAFT WHERE APPLICABLE MUST REMAIN WITHIN DIMENSIONS				96 pos. female connector	
PART NO.		SDA-85042-6062				acc. DIN 41612 style C	
DWG NO.		85042-6062				contacts arrangement	
SCALE		MOLEX EUROPE				molex	
IF TWO DIMENSIONS ARE SHOWN, THE UPPER IS THE DESIGN DIMENSION, LOWER IS SECONDARY		PART NO.				SIZE	
		SDA-85042-6062				A	