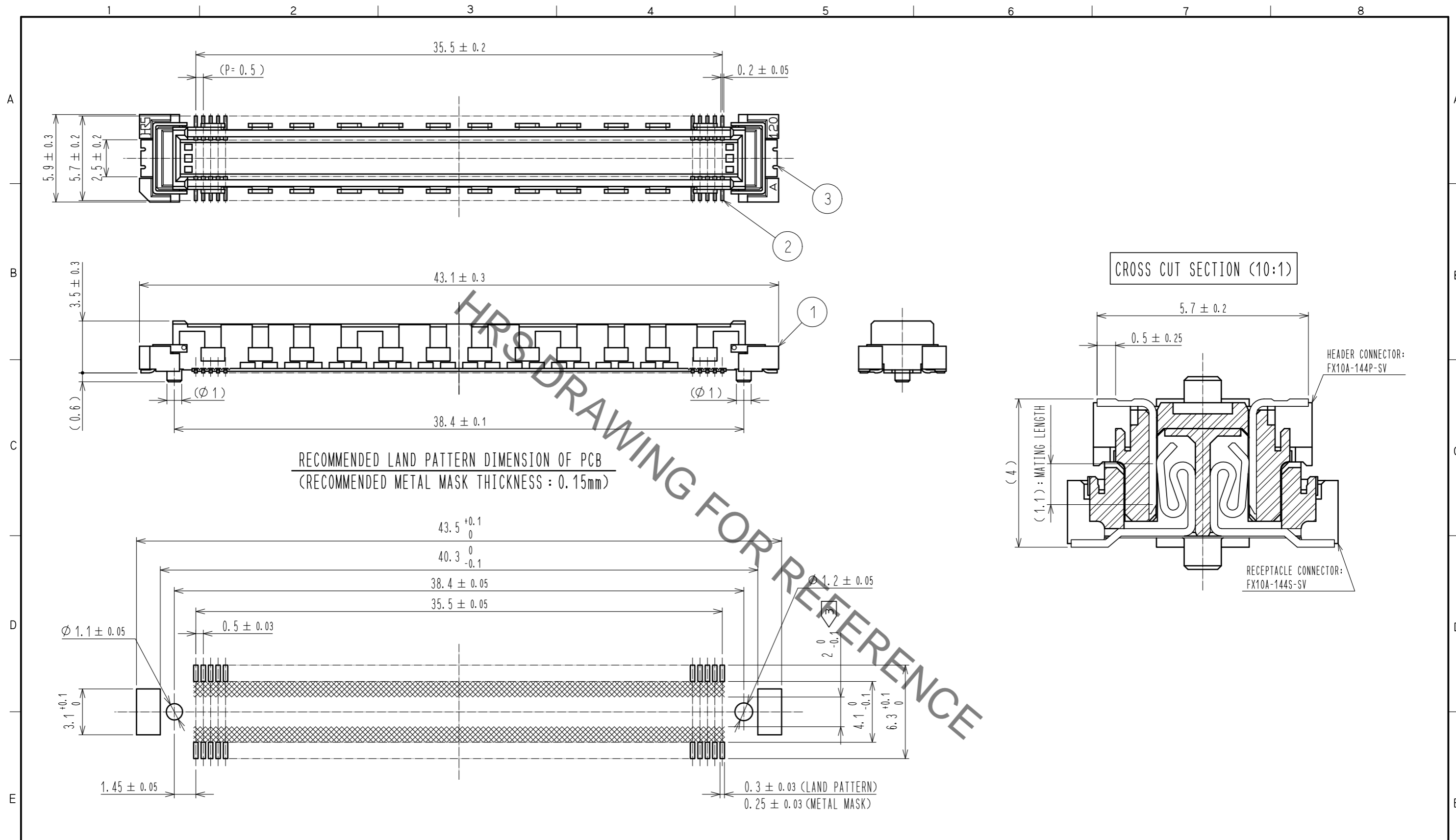


Apr.1.2023 Copyright 2023 HIROSE ELECTRIC CO., LTD. All Rights Reserved.  
 In case of consideration for using Automotive equipment / device which demand high reliability, kindly contact our sales window correspondents.



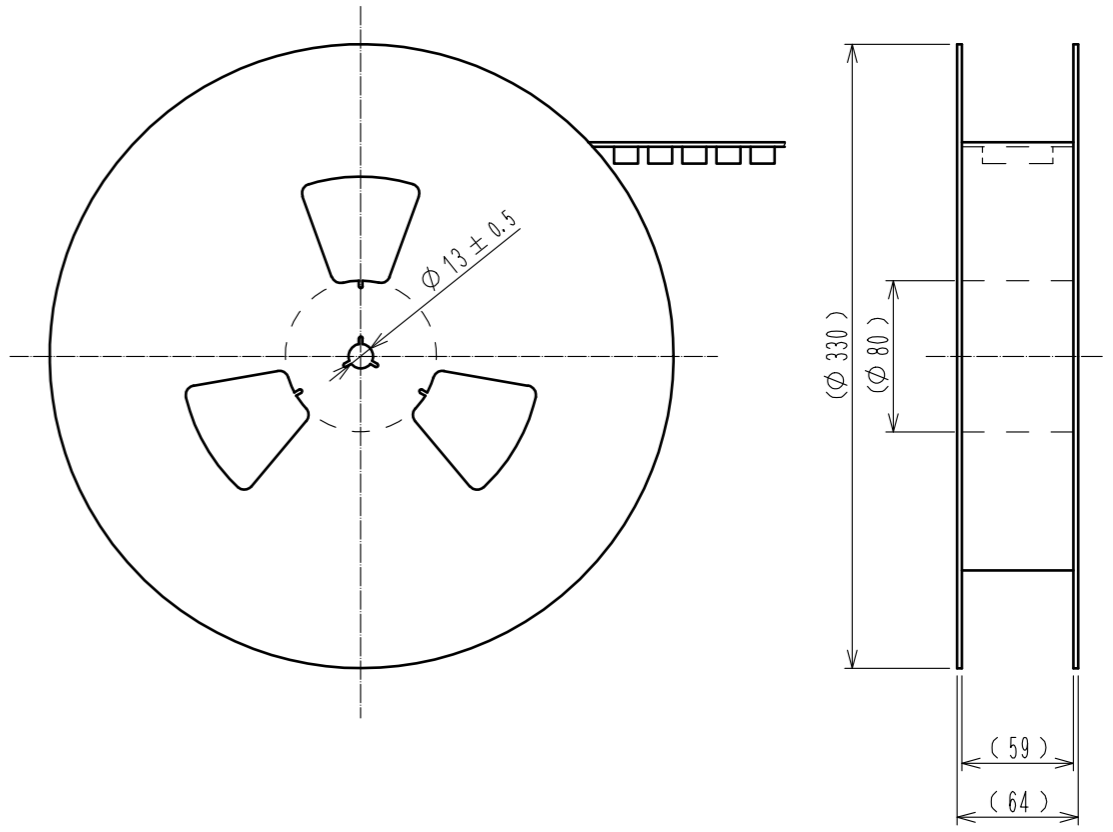
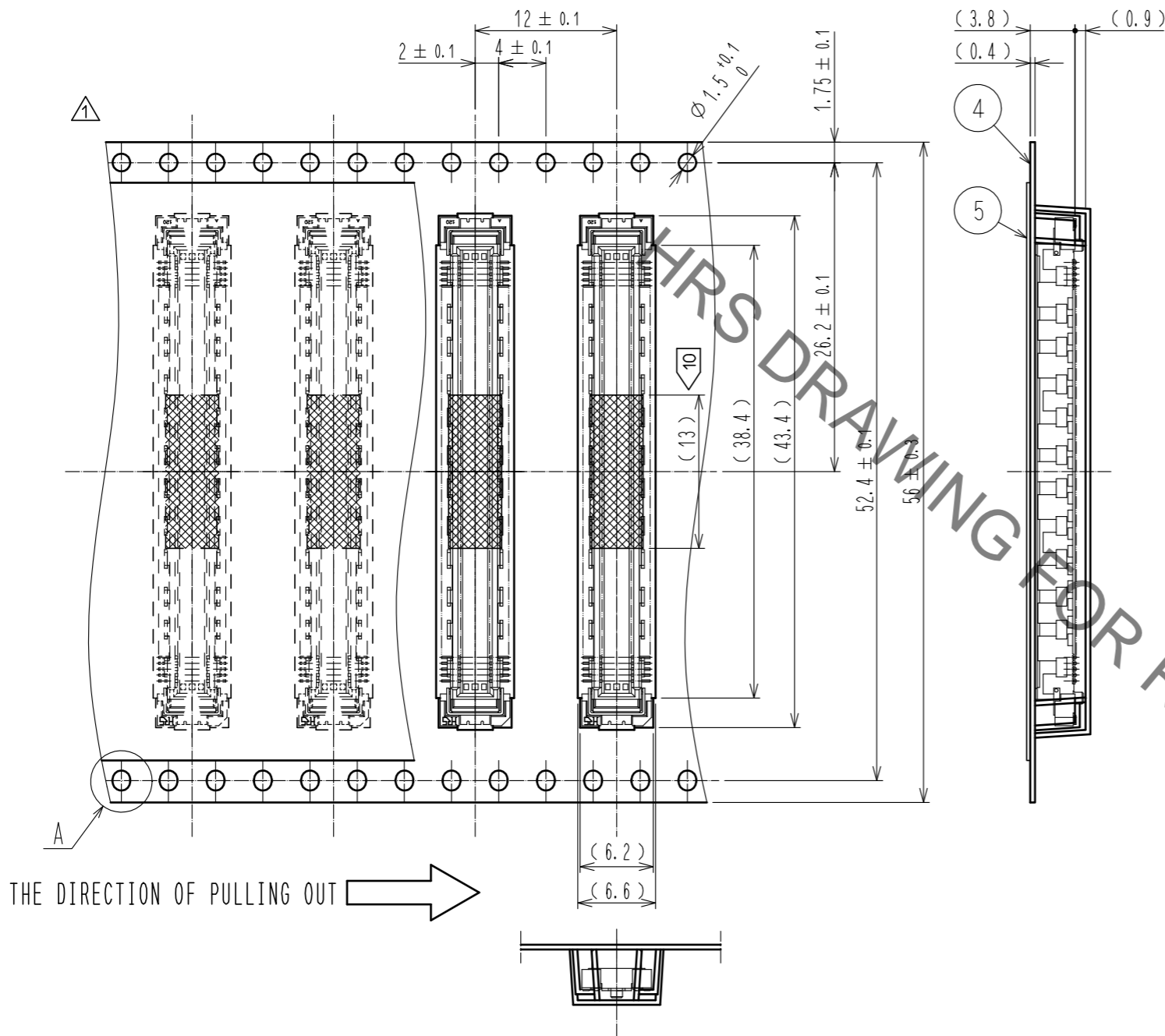
- NOTES
- 1 SMT LEAD-COPLANARITY : 0.1 MAX.
  - 2 THIS PRODUCT HAS NO POLARITY TO PATTERN FOR MOUNTING.
  - 3 MAKE SURE WIDTH OF PATTERN IS WITHIN THAT OF LAND, OR LEAD MAY TOUCH PATTERN. (THIS APPLIES TO HATCHED AREA.)
  - 4 THE DIMENSIONS IN PARENTHESES ARE FOR REFERENCE.

2	PHOSPHOR BRONZE	CONTACT AREA : GOLD 0.1 $\mu$ m min.	6	POLYIMIDE	(TAPE FOR VACUUM PICK UP)
		LEAD AREA : TIN-PLATING 1 $\mu$ m min.	5	PET	TOP COVER TAPE
		UNDER PLATING : NICKL 1 $\mu$ m min.	4	PS	EMBOSSED CARRIER TAPE
1	LCP	BEIGE	3	PHOSPHOR BRONZE	TIN-PLATING
NO.	MATERIAL	FINISH . REMARKS	NO.	MATERIAL	FINISH . REMARKS
UNITS mm		SCALE 4 : 1	COUNT 1	DESCRIPTION OF REVISIONS DIS-F-00015196	
APPROVED : HS. OKAWA 20131210			DESIGNED SY. KUDO	CHECKED HT. YAMAGUCHI	
CHECKED : HT. YAMAGUCHI 20131210			DATE 20220902		
DESIGNED : KJ. NISHIWAKI 20131210			DRAWING NO. EDC-151954-92-22		
DRAWN : KJ. NISHIWAKI 20131210			PART NO. FX10A-144P-SV(92)		
			CODE NO. CL0570-0043-5-92		

Apr.1.2023 Copyright 2023 HIROSE ELECTRIC CO., LTD. All Rights Reserved.  
 In case of consideration for using Automotive equipment / device which demand high reliability, kindly contact our sales window correspondents.

# DRAWING FOR PACKING(2:1)

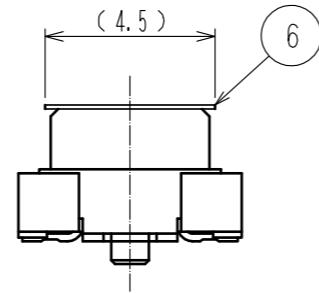
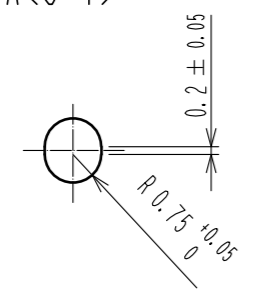
# REELED DIMENSION (Free)



THE DIRECTION OF PULLING OUT

# MYLAR TAPE DIMENSION (5:1)

## A(5:1)



- NOTES
- 6 1 REEL : 1000 CONNECTORS.
  - 7 MINMUM 10 COMPARTMENTS FROM BOTH REEL ENDS REMAIN EMPTY.
  - 8 THIS PRODUCT HAS NO POLAVITY TO TAPE AND REEL PACKING.
  - 9 THE DIMENSIONS IN PARENTHESSES ARE FOR REFERENCE.
  - 10 IT SHOWS THE VACUUM PICKUP AREA.  
REMOVE THE MYLAR TAPE BEFORE MATING CONNECTORS.

<b>HRS</b>	DRAWING NO.	EDC-151954-92-22	2/2
	PART NO.	FX10A-144P-SV(92)	
	CODE NO.	CL0570-0043-5-92	