

# Proximity Sensor With Interrupt, IRED, and I<sup>2</sup>C Interface



## ADDITIONAL RESOURCES



## DESCRIPTION

VCNL3040 integrates a proximity sensor (PS), and a high power IRED into one small package. It incorporates photodiodes, amplifiers, and analog to digital converting circuits into a single chip by CMOS process. PS programmable interrupt features of individual high and low thresholds offers the best utilization of resource and power saving on the microcontroller.

The 12-bit / 16-bit proximity sensing function uses on intelligent cancellation scheme, so that cross talk phenomenon is eliminated effectively. To accelerate the PS response time, smart persistence prevents the misjudgment of proximity sensing but also keeps a fast response time. Active force mode, one time trigger by one instruction, is another good approach for more design flexibility to fulfill different kinds of applications with more power saving.

PS functions are easily operated via the simple command format of I<sup>2</sup>C (SMBus compatible) interface protocol. Operating voltage ranges from 2.5 V to 3.6 V. VCNL3040 is packaged in a lead (Pb)-free 8 pin QFN package, which offers the best market-proven reliability quality.

## FEATURES

- Package type: surface-mount
- Dimensions (L x W x H in mm): 4.0 x 2.0 x 1.1
- Integrated modules: infrared emitter (IRED), proximity sensor (PS), and signal conditioning IC
- Low power consumption I<sup>2</sup>C (SMBus compatible) interface
- Floor life: 168 h, MSL 3, according to J-STD-020
- Output type: I<sup>2</sup>C bus (PS)
- Operation voltage: 2.5 V to 3.6 V
- Material categorization: for definitions of compliance please see [www.vishay.com/doc?99912](http://www.vishay.com/doc?99912)



## PROXIMITY FUNCTION

- Immunity to red glow (940 nm IRED)
- Programmable IRED sink current
- Intelligent cancellation to reduce cross talk
- Smart persistence scheme to reduce PS response time
- Selectable for 12-bit / 16-bit PS output data

## INTERRUPT

- Programmable interrupt function for PS with upper and lower thresholds
- Adjustable persistence to prevent false triggers for PS

## APPLICATIONS

- Handheld device
- Consumer device
- Industrial application

PRODUCT SUMMARY						
PART NUMBER	OPERATING RANGE (mm)	OPERATING VOLTAGE RANGE (V) <sup>(1)</sup>	I <sup>2</sup> C BUS VOLTAGE RANGE (V)	IRED PULSE CURRENT (mA)	OUTPUT CODE	ADC RESOLUTION PROXIMITY / AMBIENT LIGHT
VCNL3040	0 to 300	2.5 to 3.6	1.8 to 3.6	200	12 bit / 16-bit, I <sup>2</sup> C	16 bit / n/a

### Note

<sup>(1)</sup> Part should be operated in dark condition (not in direct sunlight)

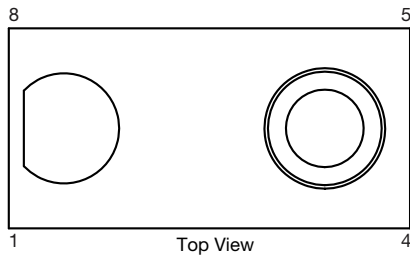
ORDERING INFORMATION				
ORDERING CODE	PACKAGING	VOLUME <sup>(1)</sup>	PIN NUMBER	REMARKS
VCNL3040	Tape and reel	MOQ: 2500 pcs	8	4.0 mm x 2.0 mm x 1.1 mm

### Note

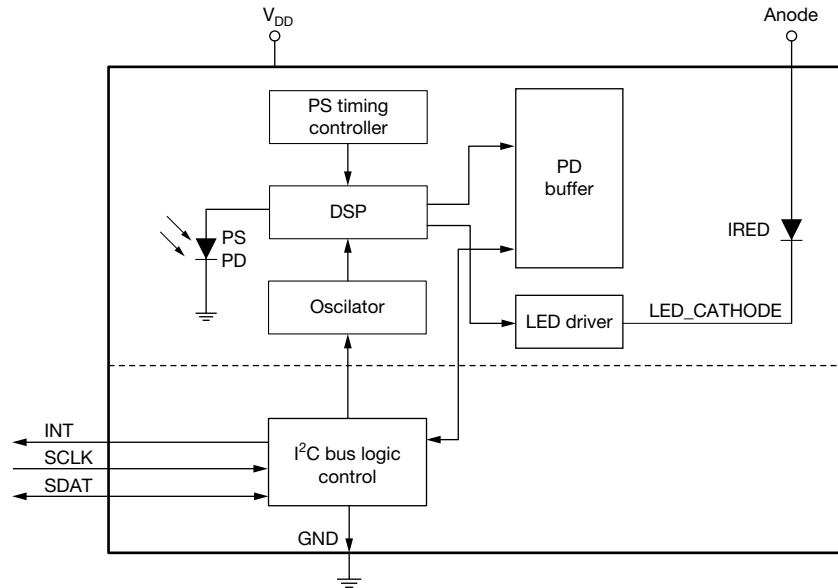
<sup>(1)</sup> MOQ: minimum order quantity

<b>ABSOLUTE MAXIMUM RATINGS</b> ( $T_{amb} = 25\text{ }^{\circ}\text{C}$ , unless otherwise specified)					
PARAMETER	TEST CONDITION	SYMBOL	MIN.	MAX.	UNIT
Supply voltage		$V_{DD}$	2.5	3.6	V
Operation temperature range		$T_{amb}$	-40	+85	$^{\circ}\text{C}$
Storage temperature range		$T_{stg}$	-40	+100	$^{\circ}\text{C}$

<b>RECOMMENDED OPERATING CONDITIONS</b> ( $T_{amb} = 25\text{ }^{\circ}\text{C}$ , unless otherwise specified)					
PARAMETER	TEST CONDITION	SYMBOL	MIN.	MAX.	UNIT
Supply voltage		$V_{DD}$	2.5	3.6	V
Operation temperature range		$T_{amb}$	-40	+85	$^{\circ}\text{C}$
I <sup>2</sup> C bus operating frequency		$f_{(I2CCLK)}$	10	400	kHz

**PIN DEFINITION**


<b>PIN DESCRIPTIONS</b>			
PIN ASSIGNMENT	SYMBOL	TYPE	FUNCTION
1	$V_{DD}$	I	Power supply input
2	NC	-	No connection
3	GND	I	Ground
4	CATHODE	I	IRED cathode connection
5	ANODE	I	Anode for IRED
6	SCLK	I	I <sup>2</sup> C digital bus clock input
7	INT	O	Interrupt pin
8	SDAT	I / O (open drain)	I <sup>2</sup> C data bus data input / output

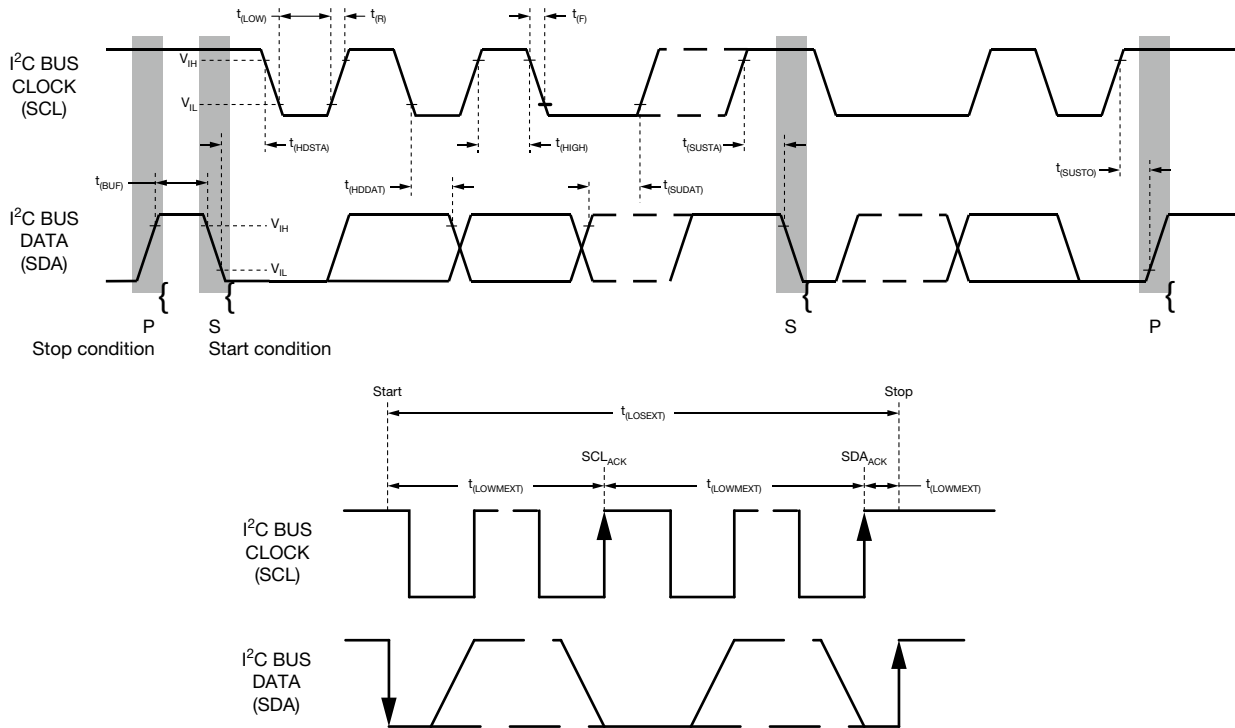
**BLOCK DIAGRAM**


<b>BASIC CHARACTERISTICS</b> ( $T_{amb} = 25\text{ }^{\circ}\text{C}$ , unless otherwise specified)							
PARAMETER	TEST CONDITION	SYMBOL	MIN.	TYP.	MAX.	UNIT	
Supply voltage		$V_{DD}$	2.5	-	3.6	V	
Supply current	Excluded LED driving, $V_{DD} = 2.28\text{ V}$	$I_{DD}$	-	300	-	$\mu\text{A}$	
Shutdown current	Light condition = dark, $V_{DD} = 3.3\text{ V}$	$I_{DD}(\text{SD})$	0.01	0.2	1	$\mu\text{A}$	
I²C supply voltage		$V_{\text{pull\_up}}$	1.8	-	3.6	V	
I²C signal input	Logic high	$V_{DD} = 3.3\text{ V}$	$V_{IH}$	1.55	-	-	V
	Logic low		$V_{IL}$	-	-	0.4	
	Logic high	$V_{DD} = 2.6\text{ V}$	$V_{IH}$	1.4	-	-	V
	Logic low		$V_{IL}$	-	-	0.4	
Peak sensitivity wavelength of PS		$\lambda_{\text{pps}}$	-	850	-	nm	
Full PS counts	12-bit / 16-bit resolution		-	-	4096 / 65 535	steps	
PS dark offset	$V_{DD}/V_{LED} = 2.8\text{ V}$ , $\text{PS\_IT} = 1\text{ T}$ , IRED current = 100 mA, dark room		0	-	3	steps	
PS detection range	Kodak gray card <sup>(1)</sup>		0	-	300	mm	
Operating temperature range		$T_{amb}$	-40	-	+85	$^{\circ}\text{C}$	
IRED driving current	<sup>(2)</sup>		-	-	200	mA	

**Notes**

- (1) Part should be operated in dark condition (not in direct sunlight)  
 (2) Programmable between 50 mA and 200 mA

<b>I<sup>2</sup>C BUS TIMING CHARACTERISTICS</b> ( $T_{amb} = 25\text{ }^{\circ}\text{C}$ , unless otherwise specified)						
PARAMETER	SYMBOL	STANDARD MODE		FAST MODE		UNIT
		MIN.	MAX.	MIN.	MAX.	
Clock frequency	$f_{(SMBCLK)}$	10	100	10	400	kHz
Bus free time between start and stop condition	$t_{(BUF)}$	4.7	-	1.3	-	$\mu\text{s}$
Hold time after (repeated) start condition; after this period, the first clock is generated	$t_{(HDSTA)}$	4.0	-	0.6	-	$\mu\text{s}$
Repeated start condition setup time	$t_{(SUSTA)}$	4.7	-	0.6	-	$\mu\text{s}$
Stop condition setup time	$t_{(SUSTO)}$	4.0	-	0.6	-	$\mu\text{s}$
Data hold time	$t_{(HDDAT)}$	0	3450	0	900	ns
Data setup time	$t_{(SUDAT)}$	250	-	100	-	ns
I <sup>2</sup> C clock (SCK) low period	$t_{(LOW)}$	4.7	-	1.3	-	$\mu\text{s}$
I <sup>2</sup> C clock (SCK) high period	$t_{(HIGH)}$	4.0	-	0.6	-	$\mu\text{s}$
Clock / data fall time	$t_{(F)}$	-	300	-	300	ns
Clock / data rise time	$t_{(R)}$	-	1000	-	300	ns


 Fig. 1 - I<sup>2</sup>C Bus Timing Diagram

**PARAMETER TIMING INFORMATION**

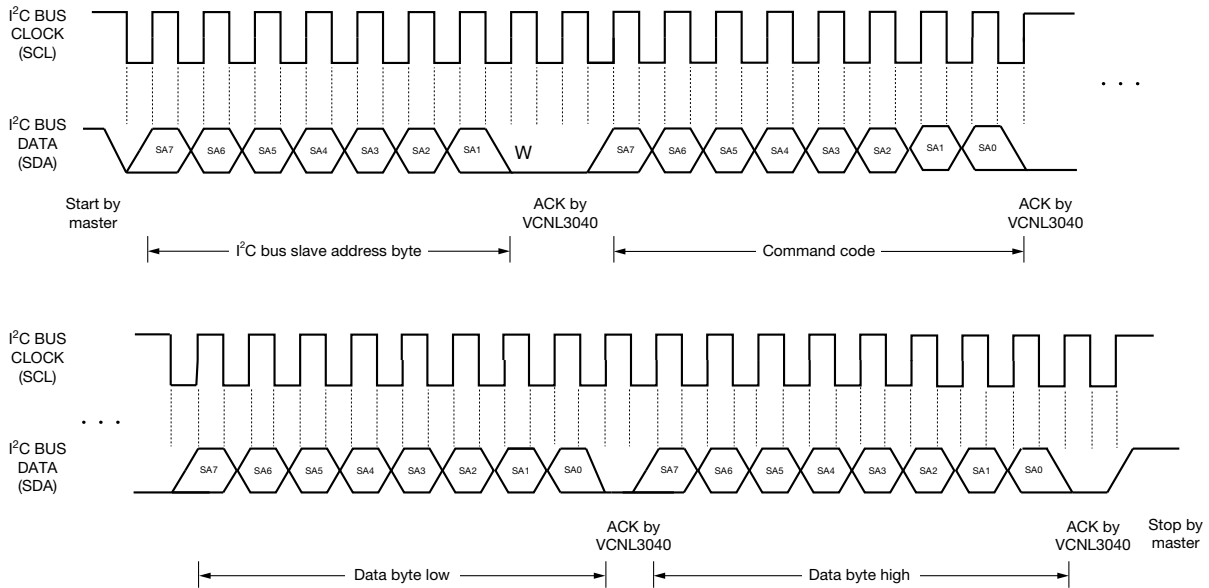


Fig. 2 - I<sup>2</sup>C Bus Timing for Sending Word Command Format

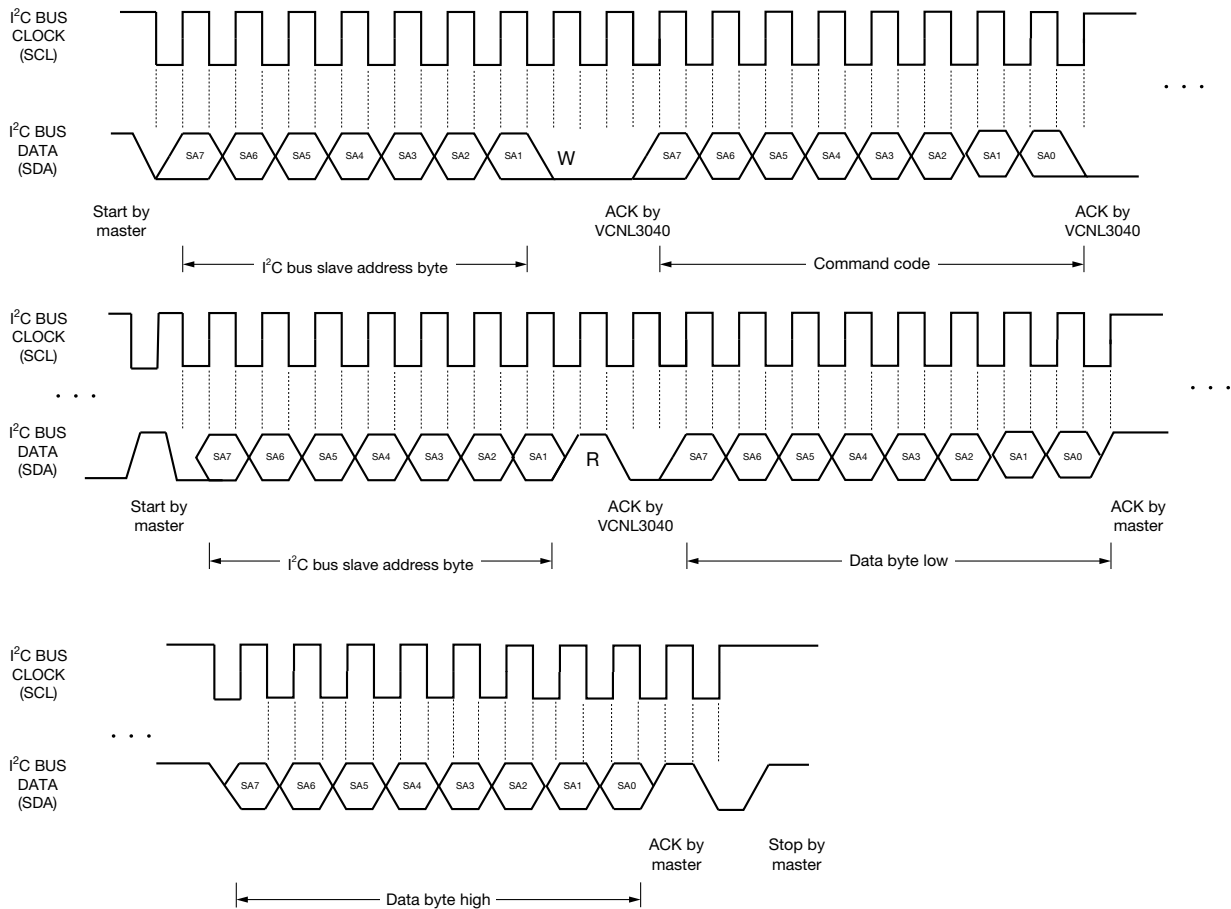


Fig. 3 - I<sup>2</sup>C Bus Timing for Receiving Word Command Format

**TYPICAL PERFORMANCE CHARACTERISTICS** ( $T_{amb} = 25\text{ }^{\circ}\text{C}$ , unless otherwise specified)

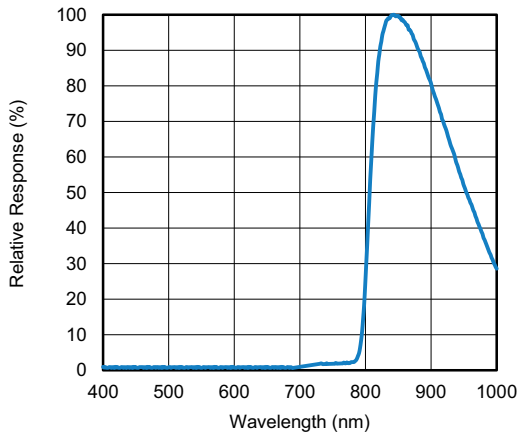


Fig. 4 - Normalized Spectral Response

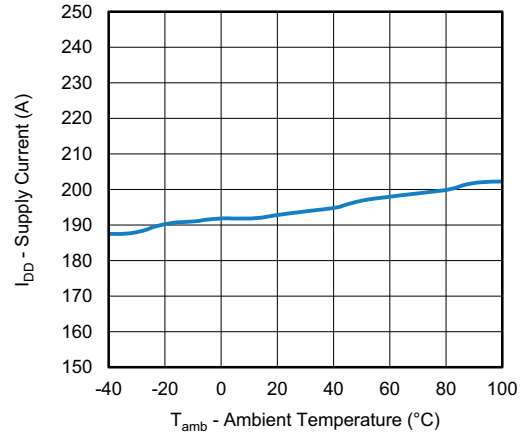


Fig. 6 -  $I_{DD}$  vs. Temperature

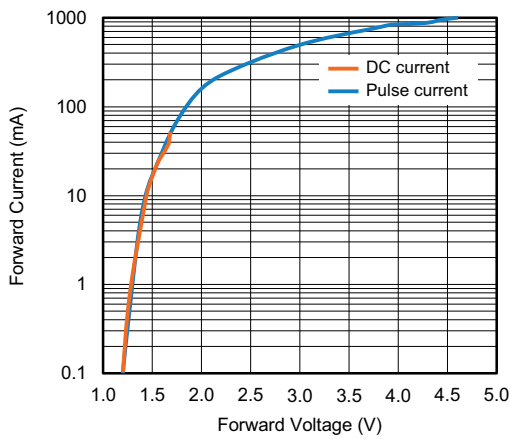


Fig. 5 - Forward Current vs. Forward Voltage

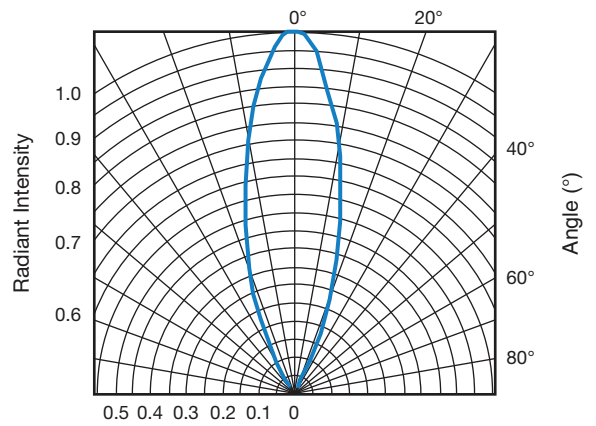


Fig. 7 - Angle of the Half Intensity of the Emitter

**APPLICATION INFORMATION**

**Pin Connection with the Host**

VCNL3040 integrates proximity sensor, and IRED all together with I<sup>2</sup>C interface. It is very easy for the baseband (CPU) to access PS output data via I<sup>2</sup>C interface without extra software algorithms. The hardware schematic is shown in the following diagram.

Two additional capacitors in the circuit can be used for the following purposes: (1) the 0.1 μF capacitor near the V<sub>DD</sub> pin is used for power supply noise rejection, (2) the 1 μF capacitor, close to the anode pin, is used to prevent the IRED voltage from instantly dropping when the IRED is turned on, and (3) 1.5 kΩ to 2.2 kΩ is suitable for the pull up resistor of I<sup>2</sup>C except for the 10 kΩ applied on the INT pin.

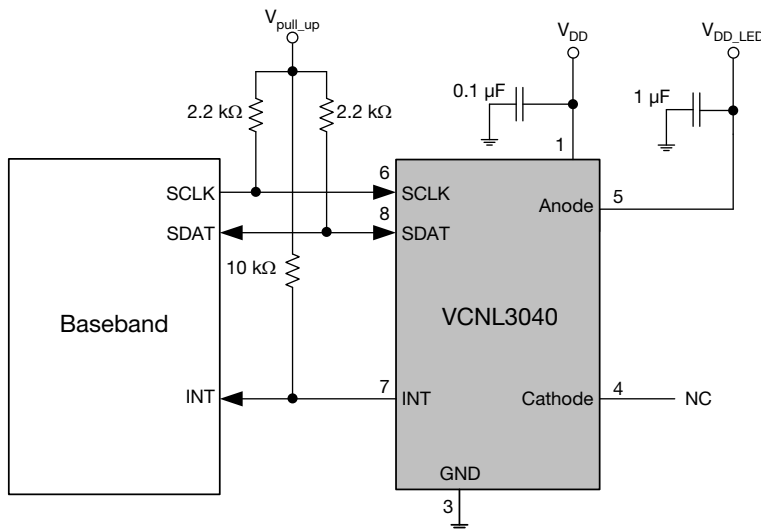
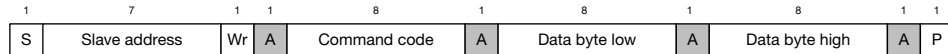


Fig. 8 - Hardware Pin Connection Diagram

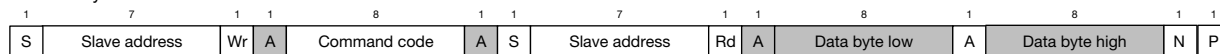
**Digital Interface**

VCNL3040 applies single slave address 0x60 (HEX) of 7-bit addressing following I<sup>2</sup>C protocol. All operations can be controlled by the command register. The simple command structure helps users easily program the operation setting and latch the light data from VCNL3040. As Fig. 9 shows, VCNL3040's I<sup>2</sup>C command format is simple for read and write operations between VCNL3040 and the host. The white sections indicate host activity and the gray sections indicate VCNL3040's acknowledgement of the host access activity. Write word and read word protocol is suitable for accessing registers particularly for 12-bit / 16-bit PS data. Interrupt can be cleared by reading data out from register: INT\_Flag. All command codes should follow read word and write word protocols.

Send byte → write command to VCNL3040



Receive byte → read data from VCNL3040



S = start condition  
P = stop condition  
A = acknowledge  
N = not acknowledge

Host action  
 VCNL3040 acknowledge

Fig. 9 - Write Word and Read Word Protocol

**Function Description**

VCNL3040 supports different kinds of mechanical designs to achieve the best proximity detection performance for any color of object with more flexibility. The basic PS function settings, such as duty ratio, integration time, interrupt, and PS enable / disable and persistence, are handled by the register: PS\_CONF1. Duty ratio controls the PS response time. Integration time represents the duration of the energy being received. The Interrupt is asserted when the PS detection levels over the high threshold level setting (register: PS\_THDH) or lower than low threshold (register: PS\_THDL). If the Interrupt function is enabled, the host reads the PS output data from VCNL3040 that saves host loading from periodically reading PS data. Additionally, the INT flag (register: INT\_Flag) indicates the behavior of INT triggered under different conditions. PS persistence (PS\_PERS) sets up the PS INT asserted conditions as long as the PS output value continually exceeds the threshold level. The intelligent cancellation level can be set on register: PS\_CANC to reduce the cross talk phenomenon.

VCNL3040 also supports an easy use of proximity detection logic output mode that outputs just high / low levels saving loading from the host. Normal operation mode or proximity detection logic output mode can be selected on the register: PS\_MS. A smart persistence is provided to get faster PS response time and prevent false trigger for PS. Descriptions of each slave address operation are shown in table 1.

<b>TABLE 1 - COMMAND CODE AND REGISTER DESCRIPTION</b>					
<b>COMMAND CODE</b>	<b>DATE BYTE LOW / HIGH</b>	<b>REGISTER NAME</b>	<b>R / W</b>	<b>DEFAULT VALUE</b>	<b>FUNCTION DESCRIPTION</b>
0x00	L	Reserved	R / W	0x01	Reserved
	H	Reserved	-	0x00	Reserved
0x01	L	Reserved	-	0x00	Reserved
	H	Reserved	-	0x00	Reserved
0x02	L	Reserved	-	0x00	Reserved
	H	Reserved	-	0x00	Reserved
0x03	L	PS_CONF1	R/W	0x03	PS duty ratio, integration time, persistence, and PS enable/disable
	H	PS_CONF2	R/W	0x00	PS gain, PS output resolution selection, PS interrupt trigger method
0x04	L	PS_CONF3	R/W	0x00	PS multi pulse, active force mode, sunlight immunity setting
	H	PS_MS	R/W	0x00	PS mode selection, PS protection setting and IRED current selection
0x05	L	PS_CANC_L	R/W	0x00	PS cancellation level setting
	H	PS_CANC_M	R/W	0x00	PS cancellation level setting
0x06	L	PS_THDL_L	R/W	0x00	PS low interrupt threshold setting LSB byte
	H	PS_THDL_M	R/W	0x00	PS low interrupt threshold setting MSB byte
0x07	L	PS_THDH_L	R/W	0x00	PS high interrupt threshold setting LSB byte
	H	PS_THDH_M	R/W	0x00	PS high interrupt threshold setting MSB byte
0x08	L	PS_Data_L	R	0x00	PS LSB output data
	H	PS_Data_M	R	0x00	PS MSB output data
0x09	L	Reserved	-	0x00	Reserved
	H	Reserved	-	0x00	Reserved
0x0A	L	Reserved	-	0x00	Reserved
	H	Reserved	-	0x00	Reserved
0x0B	L	Reserved	-	0x00	Reserved
	H	INT_Flag	R	0x00	PS interrupt flags
0x0C	L	ID_L	R	0x86	Device ID LSB
	H	ID_M	R	0x01	Device ID MSB

**Note**

- All of the reserved registers are used for internal test, please keep as default setting



**Command Register Format**

VCNL3040 provides an 8-bit command register for PS controlling independently. The description of each command format is shown in following tables.

**TABLE 2 - REGISTER: 00H\_L DESCRIPTION**

REGISTER NAME		COMMAND CODE: 0x00_L (0x00 DATA BYTE LOW)
Command	Bit	Description
Reserved	7 : 0	Default = (0 : 0 : 0 : 0 : 0 : 0 : 0 : 1)

**TABLE 3 - REGISTER: 00H\_H DESCRIPTION**

Reserved		COMMAND CODE: 0x00_H (0x00 DATA BYTE HIGH)
Command	Bit	Description
Reserved	7 : 0	Default = (0 : 0 : 0 : 0 : 0 : 0 : 0 : 0)

**TABLE 4 - REGISTER: PS\_CONF1 DESCRIPTION**

PS_CONF1		COMMAND CODE: 0x03_L (0x03 DATA BYTE LOW)
Command	Bit	Description
PS_Duty	7 : 6	(0 : 0) = 1/40, (0 : 1) = 1/80, (1 : 0) = 1/160, (1 : 1) = 1/320 PS IRED on / off duty ratio setting
PS_PERS	5 : 4	(0 : 0) = 1, (0 : 1) = 2, (1 : 0) = 3, (1 : 1) = 4 PS interrupt persistence setting
PS_IT	3 : 1	(0 : 0 : 0) = 1T, (0 : 0 : 1) = 1.5T, (0 : 1 : 0) = 2T, (0 : 1 : 1) = 2.5T, (1 : 0 : 0) = 3T, (1 : 0 : 1) = 3.5T, (1 : 1 : 0) = 4T, (1 : 1 : 1) = 8T, PS integration time setting
PS_SD	0	0 = PS power on, 1 = PS shut down, default = 1

**TABLE 5 - REGISTER: PS\_CONF2 DESCRIPTION**

PS_CONF2		COMMAND CODE: 0x03_H (0x03 DATA BYTE HIGH)
Command	Bit	Description
Reserved	7 : 6	(0 : 0), reserved
Reserved	5 : 4	(0 : 0), reserved
PS_HD	3	0 = PS output is 12 bits, 1 = PS output is 16 bits
Reserved	2	Default = 0
PS_INT	1 : 0	(0 : 0) = interrupt disable, (0 : 1) = trigger by closing, (1 : 0) = trigger by away, (1 : 1) = trigger by closing and away

**TABLE 6 - REGISTER: PS\_CONF3 DESCRIPTION**

PS_CONF3		COMMAND CODE: 0x04_L (0x04 DATA BYTE LOW)
Command	Bit	Description
Reserved	7	Default = 0
PS_MPS	6 : 5	Proximity multi pulse numbers (0 : 0) = 1, (0 : 1) = 2, (1 : 0) = 4, (1 : 1) = 8 multi pulses
PS_SMART_PERS	4	0 = disable; 1 = enable PS smart persistence
PS_FOR	3	0 = active force mode disable (normal mode), 1 = active force mode enable
PS_FOR_TRIG	2	0 = no PS active force mode trigger, 1 = trigger one time cycle The VCNL3040 conducts a single measurement every time the host writes a "1" to this bit. The state returns to "0" automatically
Reserved	1	0
PS_SC_EN	0	PS sunlight cancel enable setting, 1 = sunlight cancellation function enable

**TABLE 7 - REGISTER: PS\_MS DESCRIPTION**

PS_MS		COMMAND CODE: 0x04_H (0x04 DATA BYTE HIGH)
Command	Bit	Description
Reserved	7	Reserved
PS_MS	6	0 = normal interrupt functionality, 1 = proximity detection logic output mode enable
Reserved	5 : 3	(0 : 0 : 0)
LED_I	2 : 0	(0 : 0 : 0) = 50 mA, (0 : 0 : 1) = 75 mA, (0 : 1 : 0) = 100 mA, (0 : 1 : 1) = 120 mA, (1 : 0 : 0) = 140 mA, (1 : 0 : 1) = 160 mA, (1 : 1 : 0) = 180 mA, (1 : 1 : 1) = 200 mA LED current selection setting

**TABLE 8 - REGISTER: PS\_CANC\_L AND PS\_CANC\_M DESCRIPTION**

PS_CANC_L PS_CANC_M		COMMAND CODE: 0x05_L (0x05 DATA BYTE LOW) AND 0x05_H (0x05 DATA BYTE HIGH)
Register	Bit	Description
PS_CANC_L	7 : 0	0x00 to 0xFF, PS cancellation level setting, LSB byte
PS_CANC_M	7 : 0	0x00 to 0xFF, PS cancellation level setting, MSB byte

**TABLE 9 - REGISTER: PS\_THDL\_L AND PS\_THDL\_M DESCRIPTION**

PS_THDL_L PS_THDL_M		COMMAND CODE: 0x06_L (0x06 DATA BYTE LOW) AND 0x06_H (0x06 DATA BYTE HIGH)
Register	Bit	Description
PS_THDL_L	7 : 0	0x00 to 0xFF, PS low interrupt threshold setting, LSB byte
PS_THDL_M	7 : 0	0x00 to 0xFF, PS low interrupt threshold setting, MSB byte

**TABLE 10 - REGISTER: PS\_THDH\_L AND PS\_THDH\_M DESCRIPTION**

PS_THDH_L PS_THDH_M		COMMAND CODE: 0x07_L (0x07 DATA BYTE LOW) AND 0x07_H (0x07 DATA BYTE HIGH)
Register	Bit	Description
PS_THDH_L	7 : 0	0x00 to 0xFF, PS high interrupt threshold setting, LSB byte
PS_THDH_M	7 : 0	0x00 to 0xFF, PS high interrupt threshold setting, MSB byte

**TABLE 11 - READ OUT REGISTER DESCRIPTION**

REGISTER	COMMAND CODE	BIT	DESCRIPTION
PS_Data_L	0x08_L (0x08 data byte low)	7 : 0	0x00 to 0xFF, PS LSB output data
PS_Data_M	0x08_H (0x08 data byte high)	7 : 0	0x00 to 0xFF, PS MSB output data
Reserved	0x09_L (0x09 data byte low)	7 : 0	Reserved
Reserved	0x09_H (0x09 data byte high)	7 : 0	Reserved
Reserved	0x0A_L (0x0A data byte low)	7 : 0	Reserved
Reserved	0x0A_H (0x0A data byte high)	7 : 0	Reserved
Reserved	0x0B_L (0x0B data byte low)	7 : 0	Default = 0x00
INT_Flag	0x0B_H (0x0B data byte high)	7 6 5 4 3 2 1 0	Reserved PS_SPFLAG, PS entering protection mode Reserved Reserved Reserved Reserved PS_IF_CLOSE, PS rises above PS_THDH INT trigger event PS_IF_AWAY, PS drops below PS_THDL INT trigger event
ID_L	0CH_L (0CH data byte low)	7 : 0	86H for MP version sample device ID LSB byte
ID_M	0CH_H (0CH data byte high)	7 : 6 5 : 4 3 : 0	(0 : 0) (0 : 0) slave address = 0x60 (7-bit) version code (0 : 0 : 0 : 1) Device ID MSB byte



### Adjustable Sampling Time

VCNL3040's embedded LED driver, drives the internal IRED with the "LED\_CATHODE" pin by a pulsed duty cycle. The IRED on / off duty ratio is programmable by I<sup>2</sup>C command at register: PS\_Duty allows the user to adjust the current consumption and PS response time. The higher the duty ratio set, the faster response time achieved with higher power consumption. For example, PS\_Duty = 1/320, peak IRED current = 100 mA, the average current consumption is 100 mA/320 = 0.3125 mA.

### Initialization

The VCNL3040 includes default values for each register. As long as power is on, it is ready to be controlled by host via I<sup>2</sup>C bus.

### Threshold Window Setting

- Programmable PS Threshold

VCNL3040 provides both high and low thresholds 16-bit data setting for PS.(Register: PS\_THDL, PS\_THDH)

- PS Persistence

The PS persistence function (PS\_PERS, 1\2\3\4) helps to avoid false trigger of the PS INT. For example, if PS\_PERS = 3 times, the PS INT will not be asserted unless the PS value is greater than the PS threshold (PS\_THDH) value for three consecutive measurements

- PS Active Force Mode

An extreme power saving way to use PS is to apply PS active force (register: PS\_CONF3 command: PS\_FOR = 1) mode. Anytime host would like to read out just one of PS data, write in "1" at register: PS\_CONF3 command: PS\_FOR\_Trig. Without commands placed, there is no PS data output. VCNL3040 stays in standby mode constantly

### Intelligent Cancellation

The VCNL3040 provides an intelligent cancellation method to reduce cross talk phenomenon for the proximity sensor. The output data is subtracted by the input value on register: PS\_CANC.

### Interruption (INT)

The VCNL3040 has PS interrupt feature operated by a single pin "INT". The purpose of the interrupt feature is to actively inform the host once INT has been asserted. With the interrupt function applied, the host does not need to be constantly polling data from the sensor, but to read data from the sensor while receiving interrupt request from the sensor. As long as the host enables PS interrupt (register: PS\_INT) function, the level of INT pin (pin 7) is pulled low once INT asserted. All registers are accessible even if INT is asserted. To effectively adopt PS INT function, it is recommended to use Vishay PS detection mechanism at register: PS\_INT = 1 for the best PS detection performance which can be adjusted by high / low THD level of PS. PS INT trigger type is defined by register: PS\_INT.

### Interruption Flag

The register: INT\_Flag represents all of interrupt trigger status for PS. When flag value changes from "0" to "1" state, the level of INT pin will be pulled low. When the host reads INT\_Flag data, the bit will change from "1" state to "0" state after reading out, the INT level will be returned to high afterwards.

## PROXIMITY DETECTION LOGIC OUTPUT MODE

The VCNL3040 provides a proximity detection logic output mode that uses INT pin (pin 7) as a proximity detection logic high / low output (register: PS\_MS). When this mode is selected, the PS output (pin 7; INT/P<sub>OUT</sub>) is pulled low when an object is closing to be detected and returned to level high when the object moves away. Register: PS\_THDHL defines how sensitive PS detection is.

**PROXIMITY DETECTION HYSTERESIS**

A hysteresis is created by setting the low and high threshold values. With proximity detection logic mode disabled, an interrupt event will trigger and stay triggered until it is cleared in the INT\_Flag register. The register is cleared automatically once it is read. If the interrupt flags are not cleared after an interrupt event has occurred, the VCNL3040 will not react to another interrupt event until the INT-Flag register has been cleared. An example of this could be when turning on and off a backlight of a mobile display. First the PS INT triggers when the PS value is over PS\_THDH. The host switches off the panel backlight and then clears INT. When PS value is less than PS\_THDL, host switches on panel backlight.

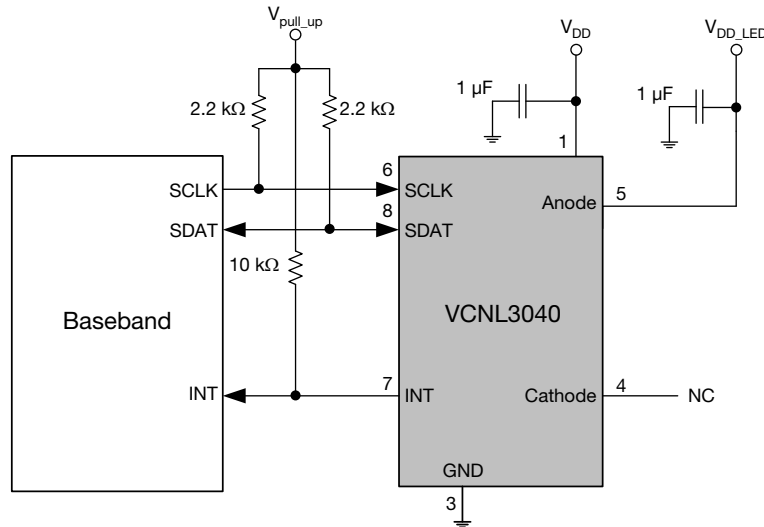


Fig. 10 - VCNL3040 Reference Circuit Connection With Host (proximity detection logic output mode)  
(VCNL3040 INT pin connecting to BB GPIO instead of INT pin)

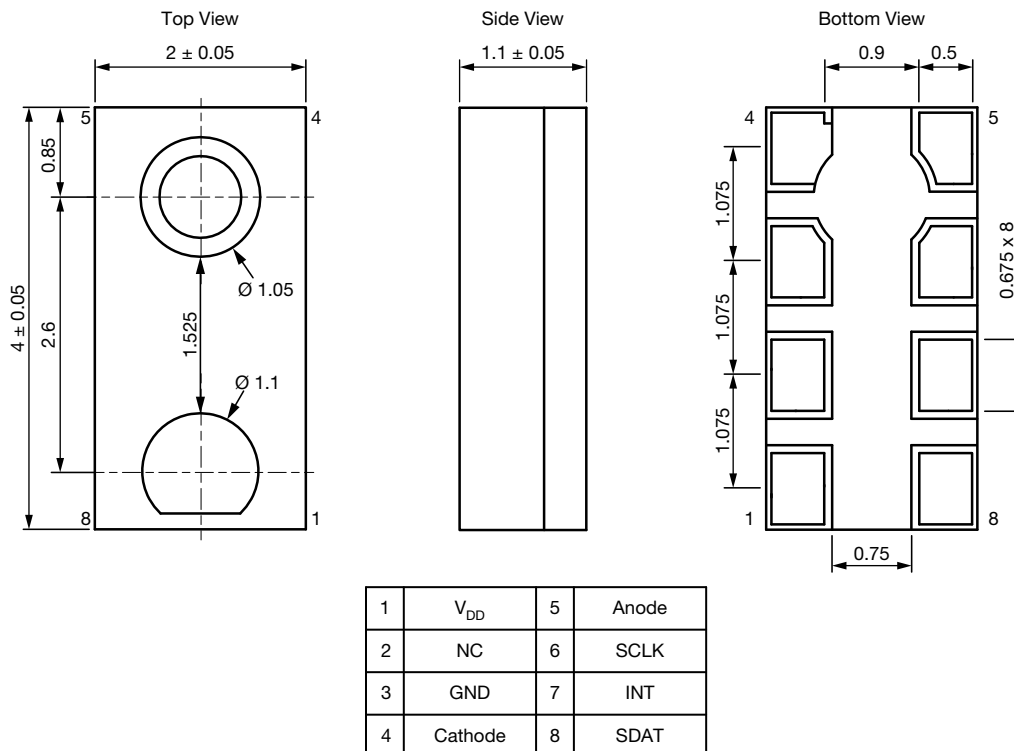
**PACKAGE INFORMATION** in millimeters


Fig. 11 - VCNL3040 Package Dimensions

**LAYOUT NOTICE AND REFERENCE CIRCUIT** in millimeters

**Pad and Circuit Layout Reference**

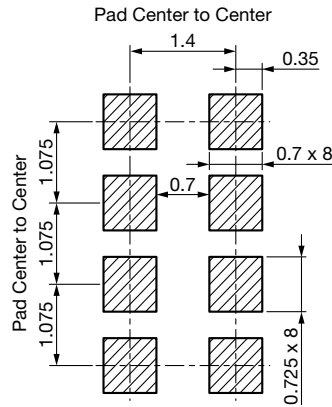


Fig. 12 - VCNL3040 PCB Layout Footprint

**APPLICATION CIRCUIT BLOCK REFERENCE**

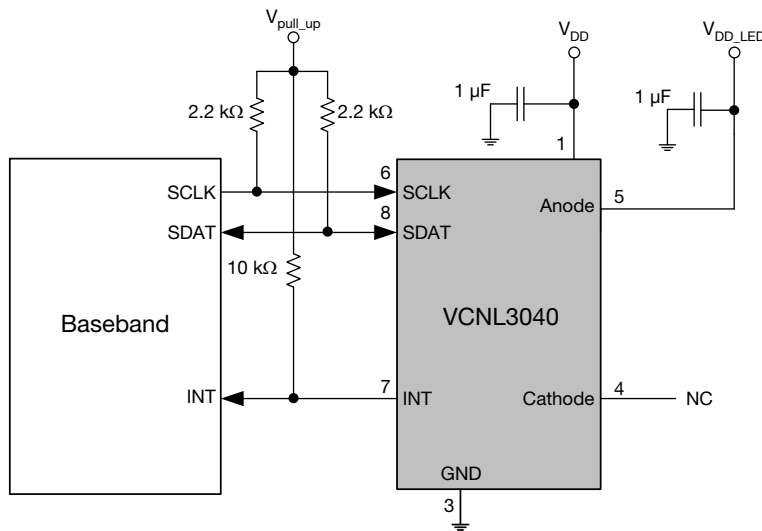


Fig. 13 - VCNL3040 Application Circuit

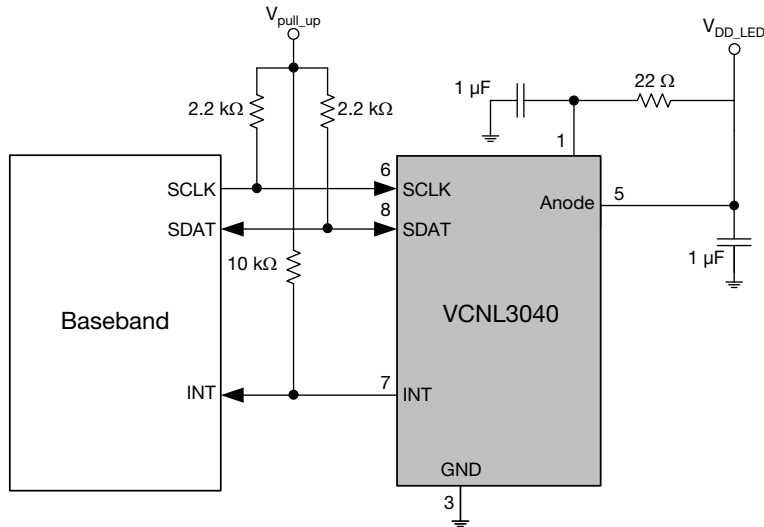


Fig. 14 - VCNL3040 Application Circuit  
 $V_{DD}$  (sensor and LED connected together) Suggestion Circuit

RECOMMENDED STORAGE AND REBAKING CONDITIONS				
PARAMETER	CONDITIONS	MIN.	MAX.	UNIT
Storage temperature		-40	+85	°C
Relative humidity		-	60	%
Open time		-	168	h
Total time	From the date code on the aluminized envelope (unopened)	-	12	months
Rebaking	Tape and reel: 60 °C	-	22	h
	Tube: 60 °C	-	22	h

**RECOMMENDED INFRARED REFLOW**

Soldering conditions which are based on J-STD-020 C.

IR REFLOW PROFILE CONDITION			
PARAMETER	CONDITIONS	TEMPERATURE	TIME
Peak temperature		260 °C + 5 °C / - 5 °C (max.: 265 °C)	10 s
Preheat temperature range and timing		150 °C to 200 °C	60 s to 180 s
Timing within 5 °C to peak temperature			10 s to 30 s
Timing maintained above temperature / time		217 °C	60 s to 150 s
Timing from 25 °C to peak temperature			8 min (max.)
Ramp-up rate		3 °C/s (max.)	
Ramp-down rate		6 °C/s (max.)	

Recommend Normal Solder Reflow is 235 °C to 255 °C.

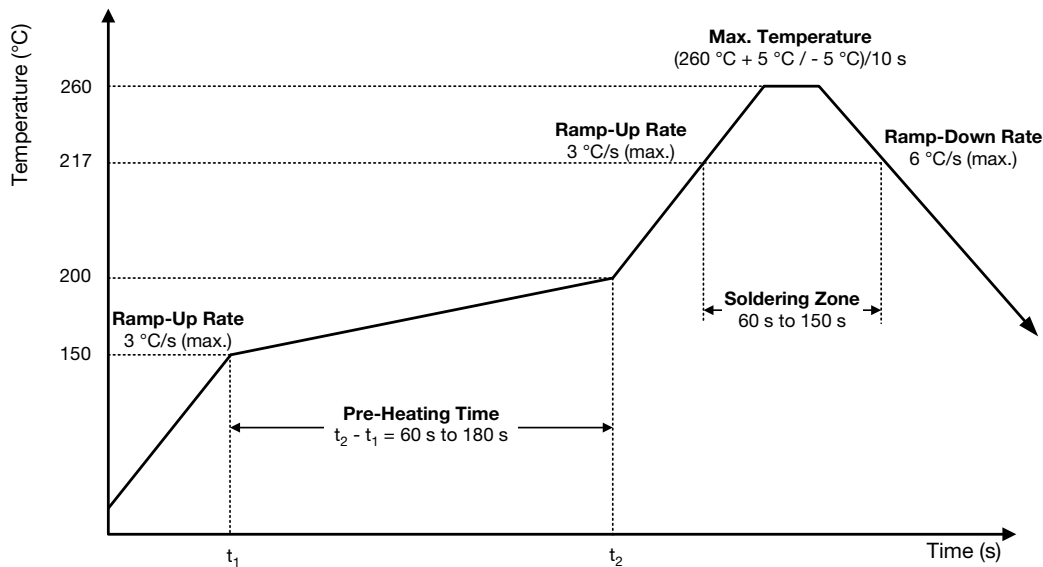


Fig. 15 - VCNL3040 Solder Reflow Profile Chart

**RECOMMENDED IRON TIP SOLDERING CONDITION AND WARNING HANDLING**

1. Solder the device with the following conditions:
  - 1.1. Soldering temperature: 400 °C (max.)
  - 1.2. Soldering time: 3 s (max.)
2. If the temperature of the method portion rises in addition to the residual stress between the leads, the possibility that an open or short circuit occurs due to the deformation or destruction of the resin increases
3. The following methods: VPS and wave soldering, have not been suggested for the component assembly
4. Cleaning method conditions:
  - 4.1. Solvent: methyl alcohol, ethyl alcohol, isopropyl alcohol
  - 4.2. Solvent temperature < 45 °C (max.)
  - 4.3. Time: 3 min (min.)

**TAPE PACKAGING INFORMATION** in millimeters

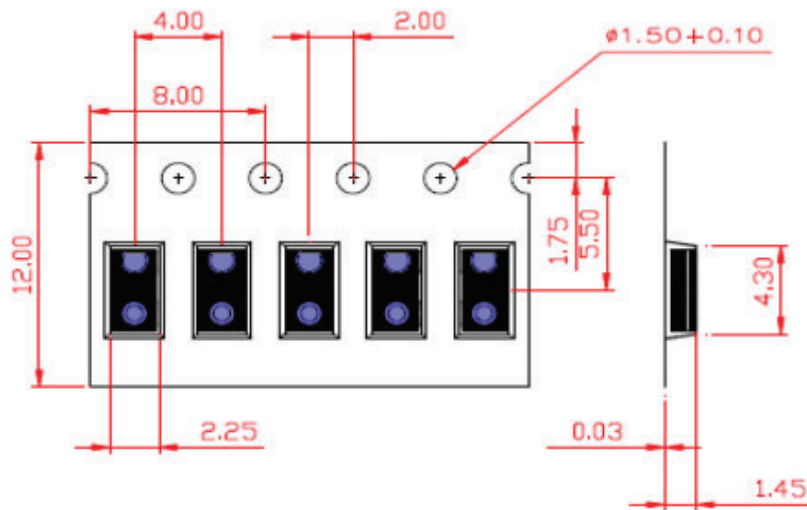
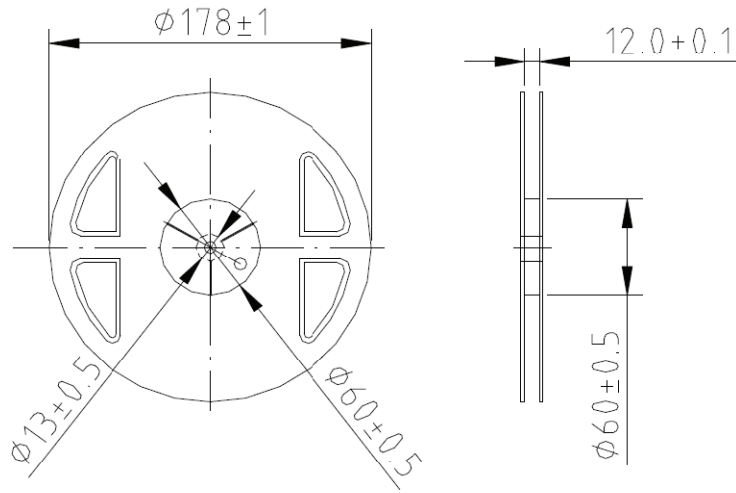


Fig. 16 - Reel Dimensions





## Disclaimer

ALL PRODUCT, PRODUCT SPECIFICATIONS AND DATA ARE SUBJECT TO CHANGE WITHOUT NOTICE TO IMPROVE RELIABILITY, FUNCTION OR DESIGN OR OTHERWISE.

Vishay Intertechnology, Inc., its affiliates, agents, and employees, and all persons acting on its or their behalf (collectively, "Vishay"), disclaim any and all liability for any errors, inaccuracies or incompleteness contained in any datasheet or in any other disclosure relating to any product.

Vishay makes no warranty, representation or guarantee regarding the suitability of the products for any particular purpose or the continuing production of any product. To the maximum extent permitted by applicable law, Vishay disclaims (i) any and all liability arising out of the application or use of any product, (ii) any and all liability, including without limitation special, consequential or incidental damages, and (iii) any and all implied warranties, including warranties of fitness for particular purpose, non-infringement and merchantability.

Statements regarding the suitability of products for certain types of applications are based on Vishay's knowledge of typical requirements that are often placed on Vishay products in generic applications. Such statements are not binding statements about the suitability of products for a particular application. It is the customer's responsibility to validate that a particular product with the properties described in the product specification is suitable for use in a particular application. Parameters provided in datasheets and / or specifications may vary in different applications and performance may vary over time. All operating parameters, including typical parameters, must be validated for each customer application by the customer's technical experts. Product specifications do not expand or otherwise modify Vishay's terms and conditions of purchase, including but not limited to the warranty expressed therein.

Hyperlinks included in this datasheet may direct users to third-party websites. These links are provided as a convenience and for informational purposes only. Inclusion of these hyperlinks does not constitute an endorsement or an approval by Vishay of any of the products, services or opinions of the corporation, organization or individual associated with the third-party website. Vishay disclaims any and all liability and bears no responsibility for the accuracy, legality or content of the third-party website or for that of subsequent links.

Except as expressly indicated in writing, Vishay products are not designed for use in medical, life-saving, or life-sustaining applications or for any other application in which the failure of the Vishay product could result in personal injury or death. Customers using or selling Vishay products not expressly indicated for use in such applications do so at their own risk. Please contact authorized Vishay personnel to obtain written terms and conditions regarding products designed for such applications.

No license, express or implied, by estoppel or otherwise, to any intellectual property rights is granted by this document or by any conduct of Vishay. Product names and markings noted herein may be trademarks of their respective owners.