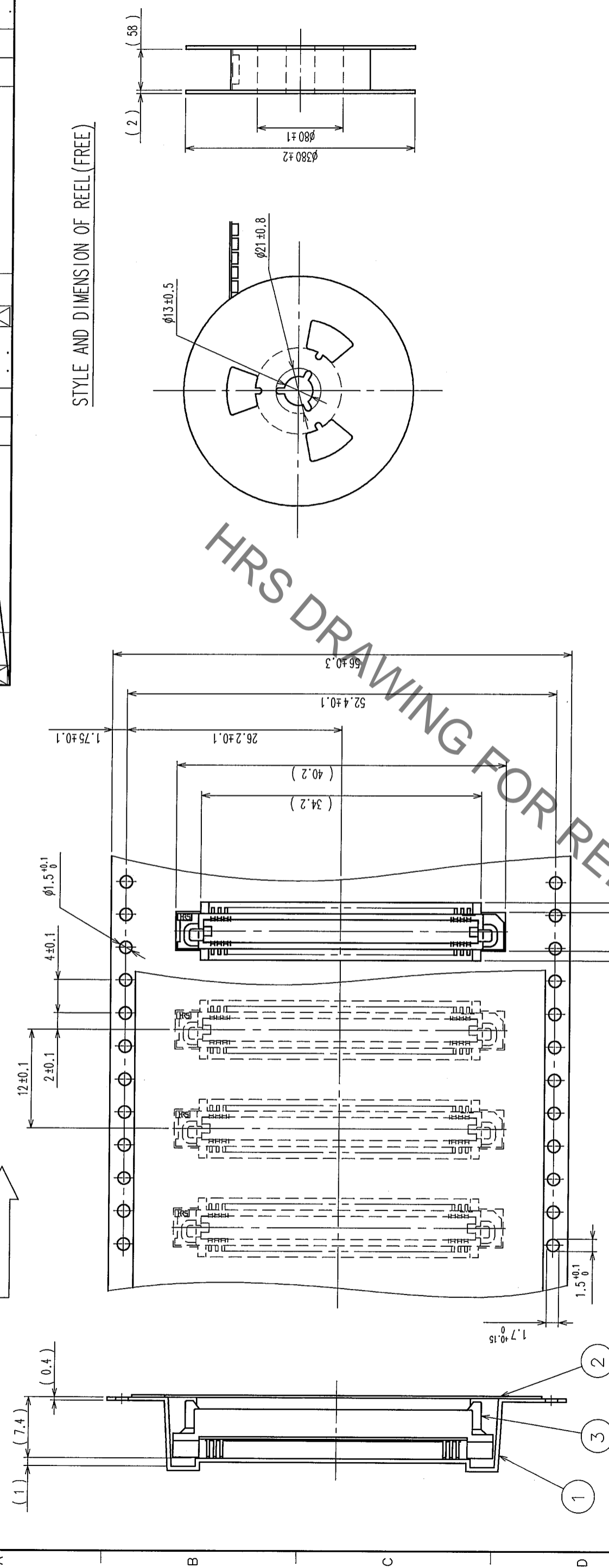
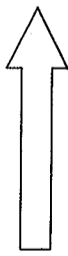
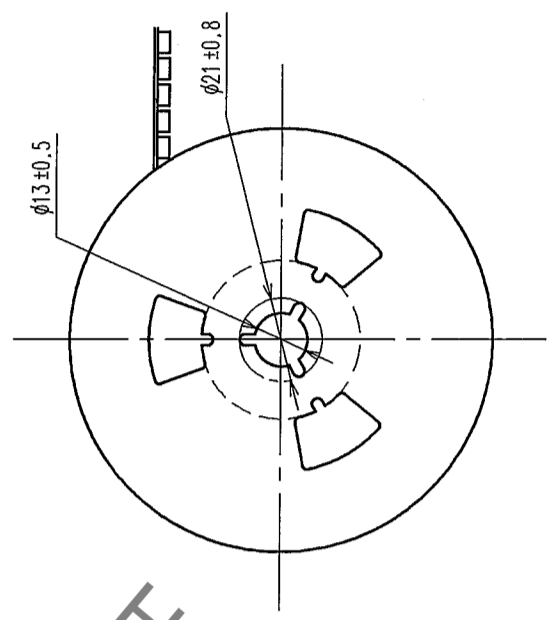


COUNT	DESCRIPTION OF REVISIONS	BY	CHKD	DATE	COUNT	DESCRIPTION OF REVISIONS	BY	CHKD	DATE
△					△				
△					△				
△					△				

DIRECTION OF UNREELING

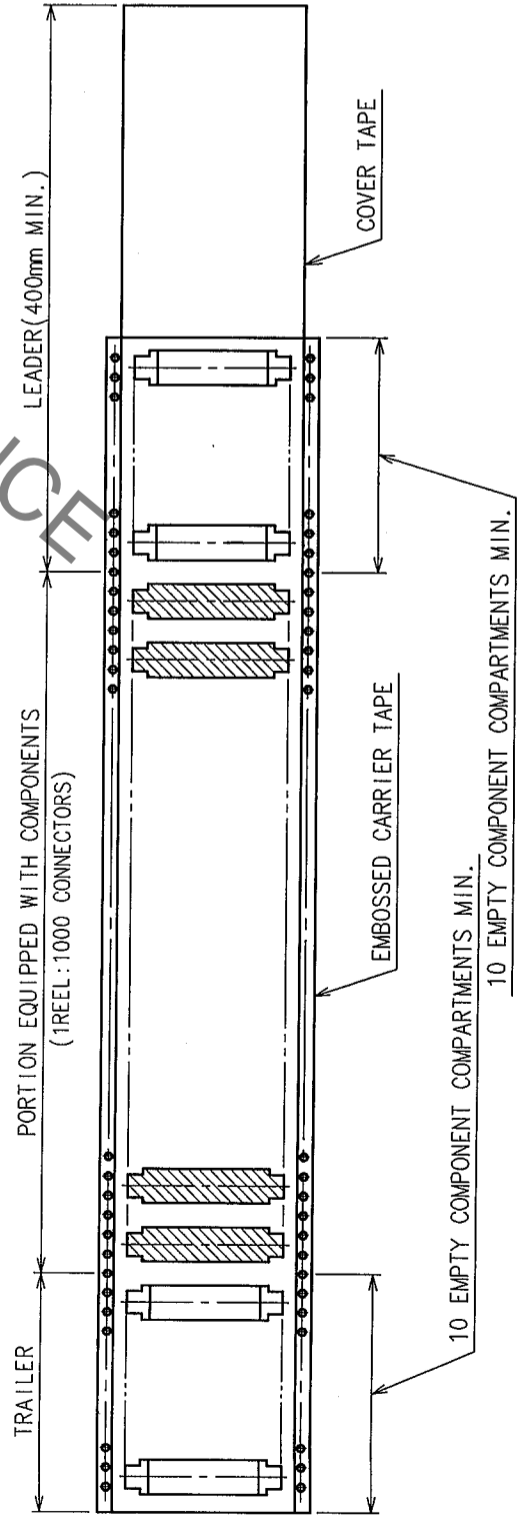


STYLE AND DIMENSION OF REEL(FREE)



HRS DRAWING FOR REFERENCE

NOTE 1 THE DIMENSIONS IN PARENTHESES ARE FOR REFERENCE.
2 1 REEL : 1000 CONNECTORS.



NO.	MATERIAL	FINISH, REMARKS	NO.	MATERIAL	FINISH, REMARKS
2	POLYESTER	COVER TAPE			
1	POLYSTYRENE	EMBOSSED CARRIER TAPE	3		(CONNECTOR)

CODE NO. (OLD)	CL	DRAWN	DESIGNED	CHECKED	APPROVED	RELEASED
		Y. AOYAGI '05.09.27	J. Noda '05.09.27	K. Ogawa '05.09.27	H. Okawa '05.09.27	

DRAWING NO.	PART NO.
EDC3-071326-22	FX6A-80P-0.8SV2(92)

SCALE	UNITS	CODE NO.
2 : 1	mm	CL576-0247-3-92

TO			
----	--	--	--