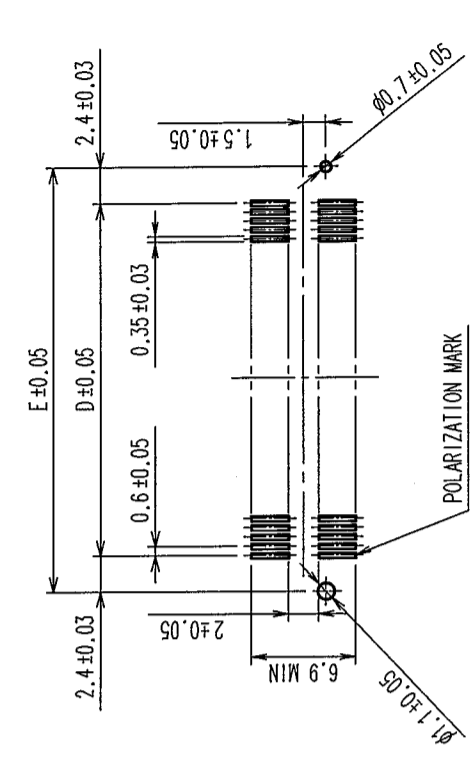


3	RE-F-09671	K.N H.Y 04.04.08	△
1	RE-F-10252	K.D H.O 04.12.06	△

RECOMMENDED LAND PATTERN DIMENSION OF P.C.B. (MOUNTING SIDE)

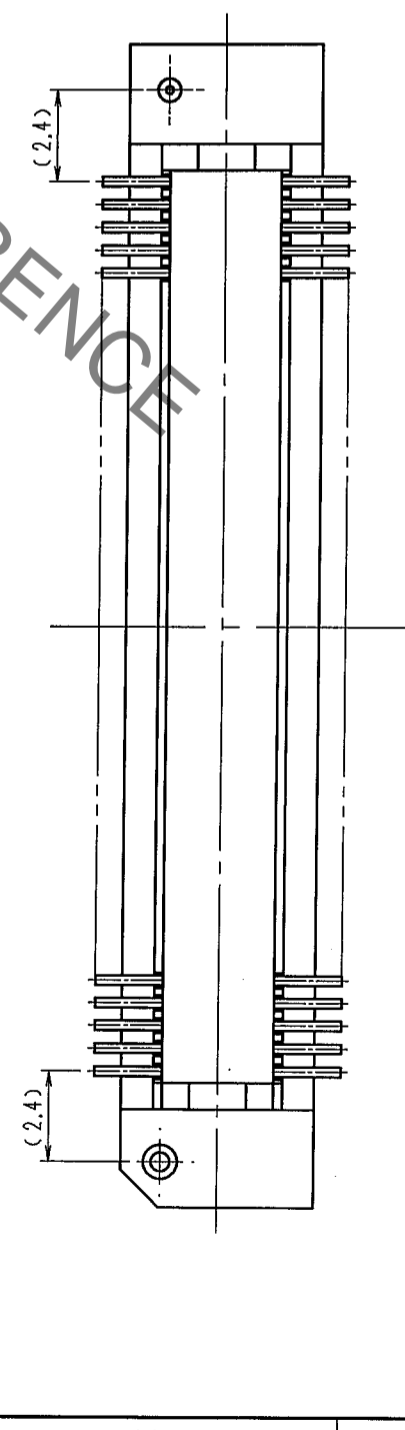
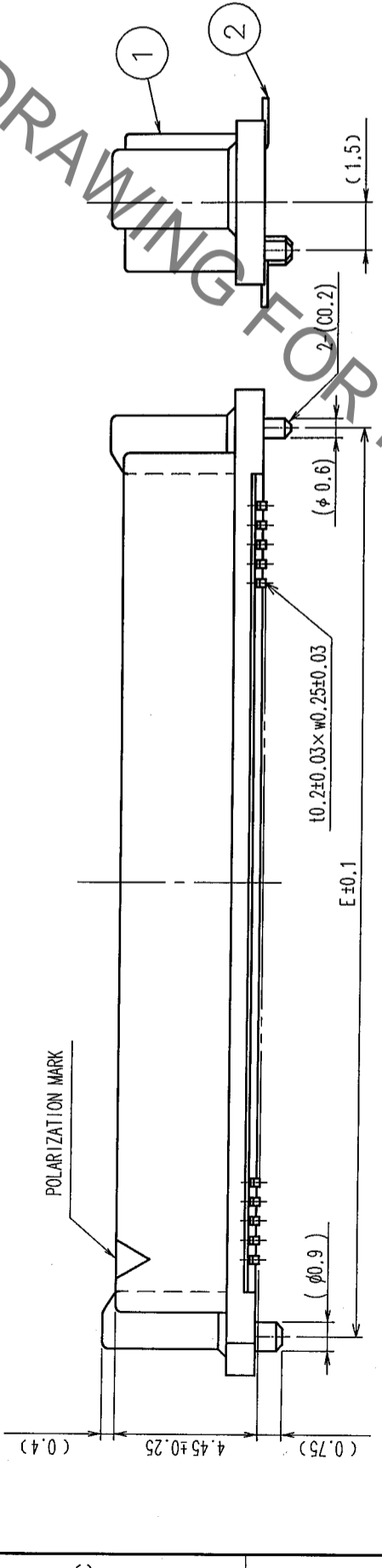
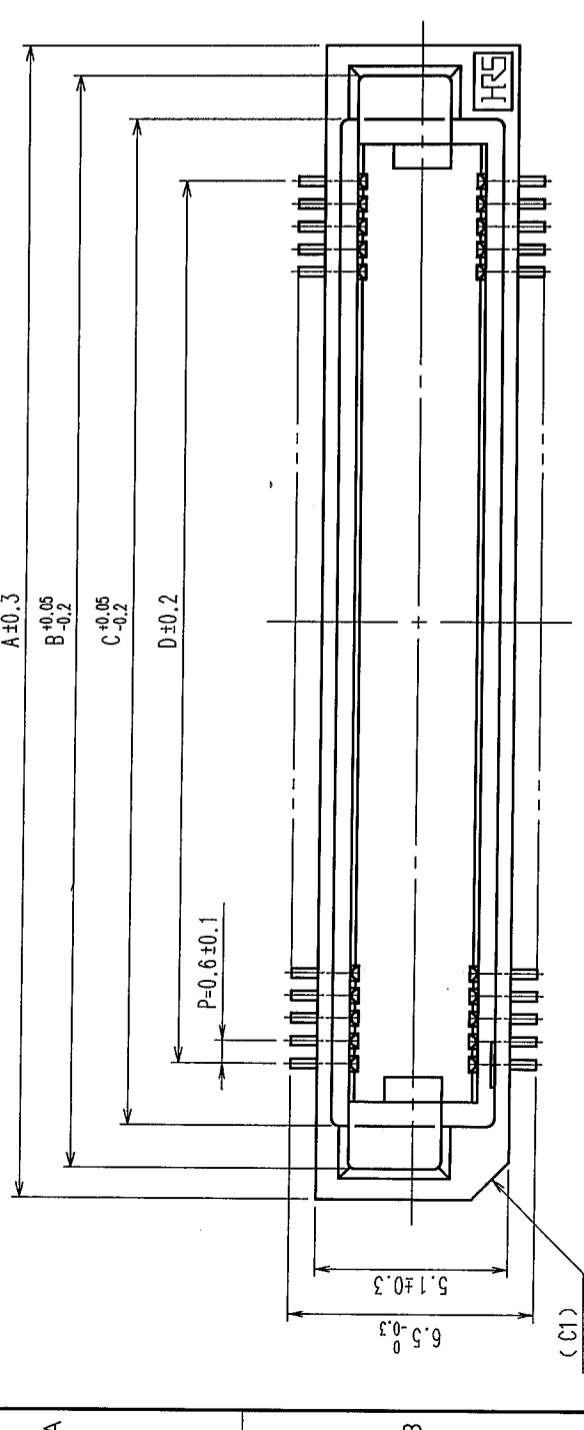


DIMENSION TABLE OF CONNECTOR AND P.C.B. LAND PATTERN.

PART No.	CODE No.	5	A	B	C	D	E
FX8C-60P-SV(92)	CL578-0501-9-92	60	24.60	23.00	20.70	17.40	22.20
FX8C-80P-SV(92)	CL578-0503-4-92	80	30.60	29.00	26.70	23.40	28.20
FX8C-100P-SV(92)	CL578-0505-0-92	100	36.60	35.00	32.70	29.40	34.20
FX8C-120P-SV(92)	CL578-0506-2-92	120	42.60	41.00	38.70	35.40	40.20
FX8C-140P-SV(92)	CL578-0507-5-92	140	48.60	47.00	44.70	41.40	46.20

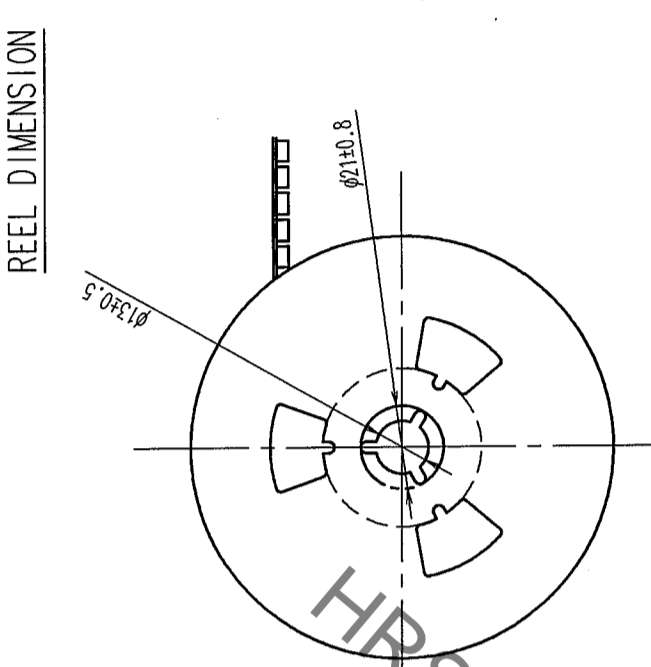
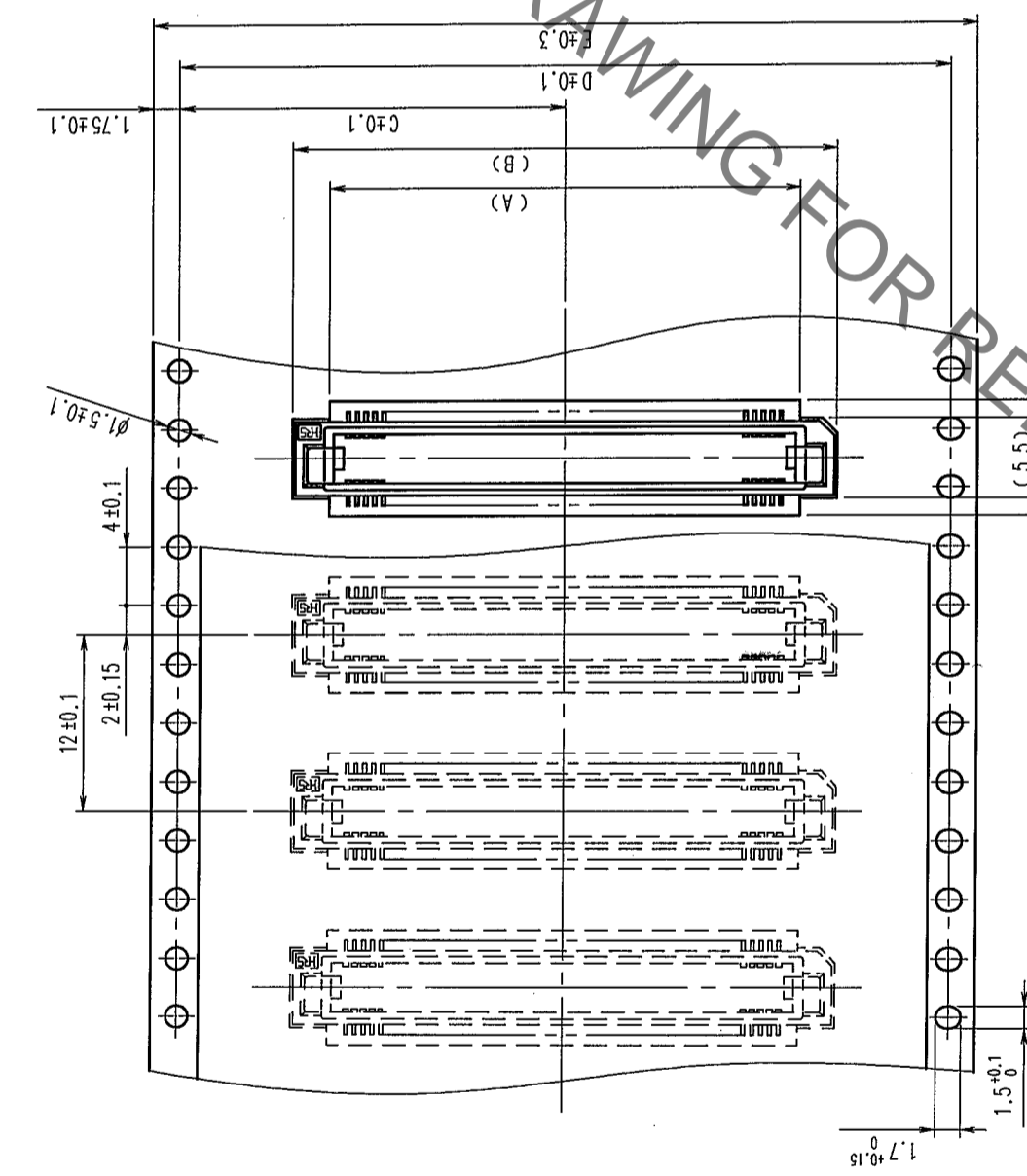
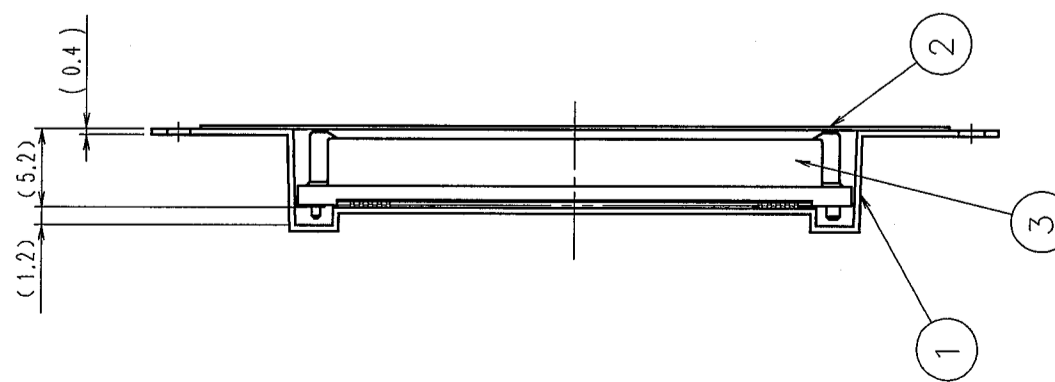
- NOTE 1. LEAD CO-PLANARITY SHALL BE 0.1mm MAX.
 2. EMBOSSED CARRIER TAPE PACKAGING SHALL BE APPLIED FOR THIS PRODUCT.
 SEE NEXT PAGE FOR DETAILS.
 3. FOR MODIFICATION, ETC., PREVENTIVE HOLE FOR SINK MARK MAY BE ADDED ACCORDING TO CIRCUMSTANCES.
 4. THE DIMENSIONS IN PARENTHESES ARE FOR REFERENCE.
 [5] NUMBER OF CONTACTS.

1	POLYPHENYLENE SULFIDE	LIGHT BROWN (UL94V-0)	2	PHOSPHOR BRONZE	CONTACT AREA: GOLD 0.1µm min LEAD AREA: GOLD FLASH UNDER PLATING: NICKEL 0.5µm min
NO.	MATERIAL	FINISH, REMARKS	NO.	MATERIAL	FINISH, REMARKS
CODE NO. (OLD) CL	DRAWN S. SUZUKI	DESIGNED K. NAKAMURA	CHECKED H. OKAWA	APPROVED Y. YOSHIMURA	RELEASED
SCALE FREE	DRAWING NO. EDC3-151020-22		PART NO. FX8C-**-P-SV(92)		
UNITS mm	CODE NO. HRS HIROSE ELECTRIC CO., LTD		CODE NO. CL578		1/2



TO	
PCK	

COUNT	DESCRIPTION OF REVISIONS	BY	CHKD	DATE	COUNT	DESCRIPTION OF REVISIONS	BY	CHKD	DATE

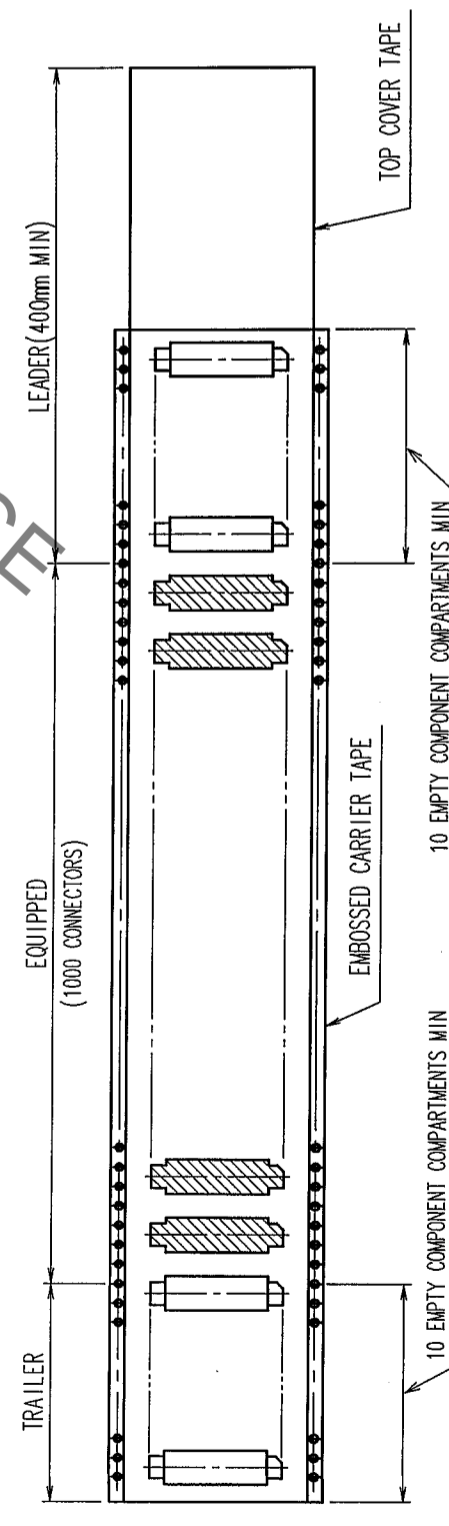


REEL DIMENSION

△ DIMENSION TABLE OF EMBOSSED CARRIER TAPE AND REEL.

PART No.	CODE No.	2	A	B	C	D	E	F
FX8C-60P-SV(92)	CL578-0501-9-92	60	20	25	20.2	40.4	44	44.4
FX8C-80P-SV(92)	CL578-0503-4-92	80	26	31	20.2	40.4	44	44.4
FX8C-100P-SV(92)	CL578-0505-0-92	100	32	37	26.2	52.4	56	56.4
FX8C-120P-SV(92)	CL578-0506-2-92	120	38	43	26.2	52.4	56	56.4
FX8C-140P-SV(92)	CL578-0507-5-92	140	44	49	34.2	68.4	72	72.4

NOTE 1 1 REEL : 1000 CONNECTORS
 2 NUMBER OF CONTACTS
 3 THE DIMENSIONS IN PARENTHESES ARE FOR REFERENCE.



2 POLYESTER		3 (CONNECTOR)	
POLYSTYRENE (EMBOSSED CARRIER TAPE)		MATERIAL	
NO.	MATERIAL	FINISH, REMARKS	DESIGNED
2	POLYESTER	(TOP COVER TAPE)	3
1	POLYSTYRENE	(EMBOSSED CARRIER TAPE)	3
NO.	MATERIAL	FINISH, REMARKS	NO.
CODE NO. (OLD)	CL		
DRAWN		DESIGNED	
S. SUZUKI		K. NAKAMURA	
03.02.03		03.02.12	
CHECKED		APPROVED	
H. OKAWA		Y. YOSHIMURA	
03.02.14		03.02.15	
RELEASED			
PART NO. FX8C-**P-SV(92)			
DRAWING NO. EDC3-151020-22			
SCALE FREE			
UNITS ITM			
CODE NO. CL578			

TO
 PCK

