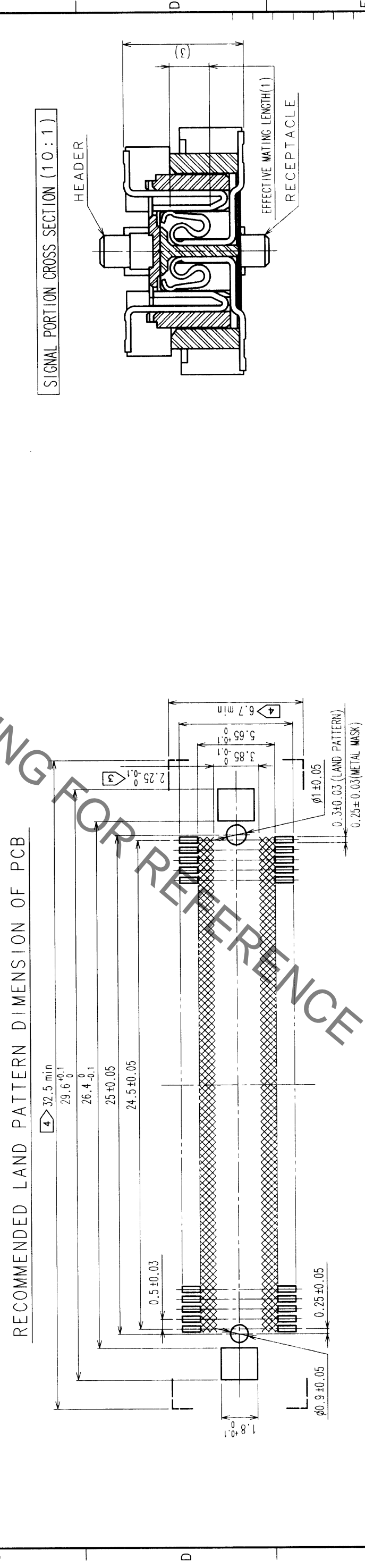
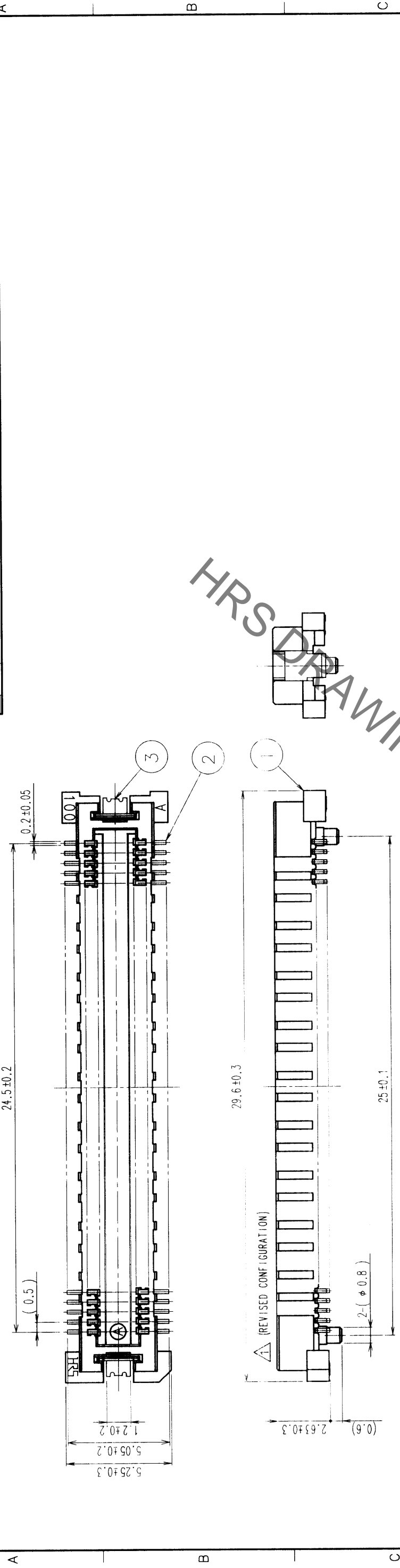


COUNT	DESCRIPTION OF REVISIONS	BY	CHKD	DATE	COUNT	DESCRIPTION OF REVISIONS	BY	CHKD	DATE
1	RE-F-06821	J.M	H.O	00.04.06					

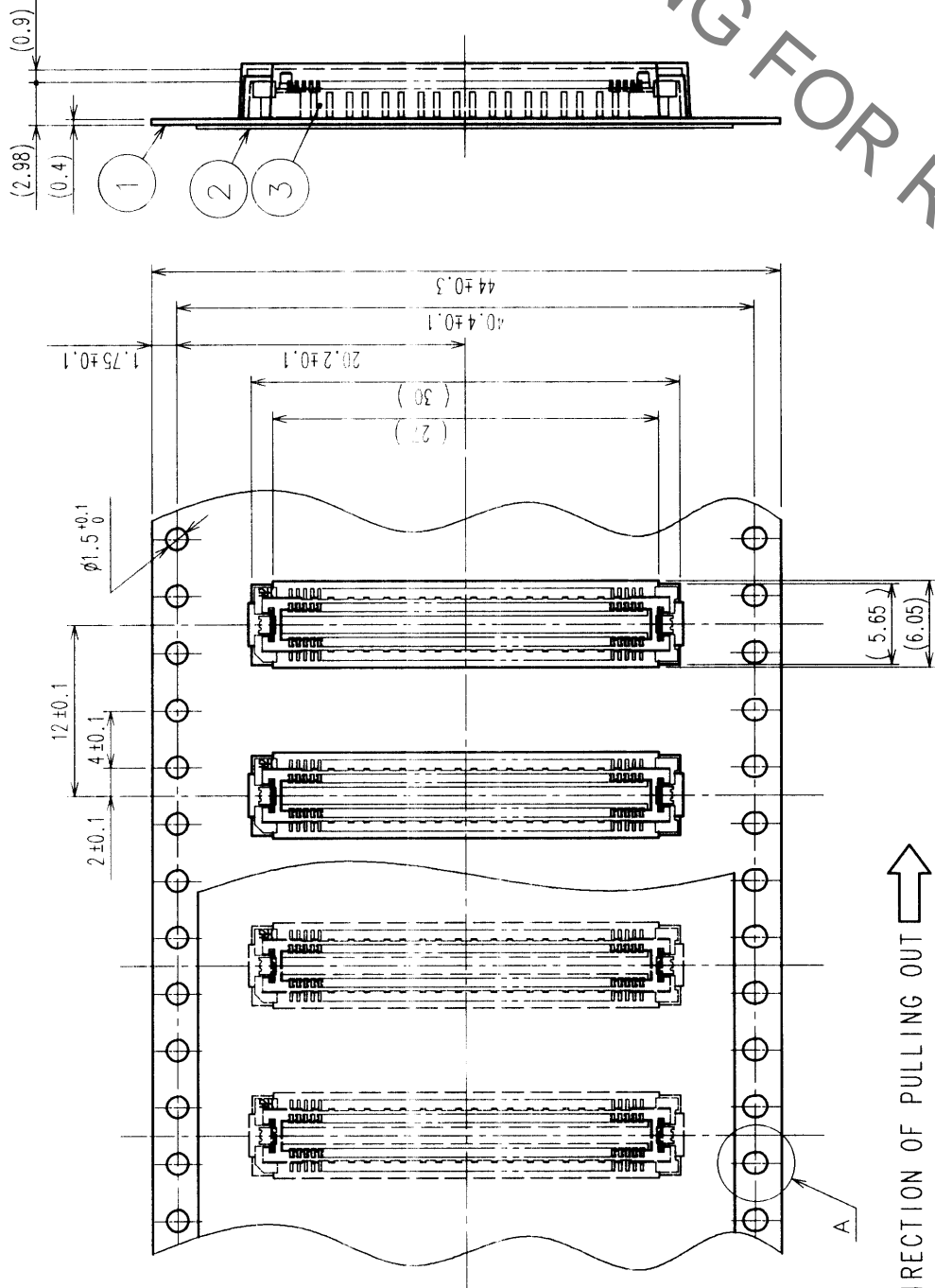


NO.	COPPER ALLOY	CONTACT AREA: GOLD (0.1μm) OVER NICKEL	LEAD: GOLD FLASH OVER NICKEL			
2	COPPER ALLOY	CONTACT AREA: GOLD (0.1μm) OVER NICKEL	LEAD: GOLD FLASH OVER NICKEL			
1	LCP	BEIGE	UL94V-0			
NO.	MATERIAL	FINISH, REMARKS	NO.	MATERIAL	FINISH, REMARKS	
3	PHOSPHOR BRONZE	TIN PLATED				
CODE NO. (OLD)	CL	DRAWN	DESIGNED	CHECKED	APPROVED	RELEASED
		J. MATSUKAWA	J. MATSUKAWA	M. ISHIDA	Y. YOSHIMURA	
		00.01.15	00.01.15	00.01.17	00.01.17	
DRAWING NO.	PART NO.					
EDC3-152623-01	FX11A-100P-SVO.5(21)					
SCALE	UNITS	CODE NO.				
5 : 1	mm	CL573-0643-1-21				

NOTES
 1 SMT LEAD-COPLANARITY: 0.1 MAX.
 2 THIS PRODUCT HAS NO POLARITY TO PATTERN FOR MOUNTING.
 3 MAKE SURE WIDTH OF PATTERN IS WITHIN THAT OF LAND, OR LEAD MAY TOUCH PATTERN. (THIS APPLIES TO HATCHED AREA.)
 4 DO NOT MOUNT OTHER DEVICES ONTO [] AREA, OR MATING PAIR CANNOT BE MATED.
 5 TO BE EMBOSSED CARRIER TAPED AS SPECIFIED IN SHEET 2.

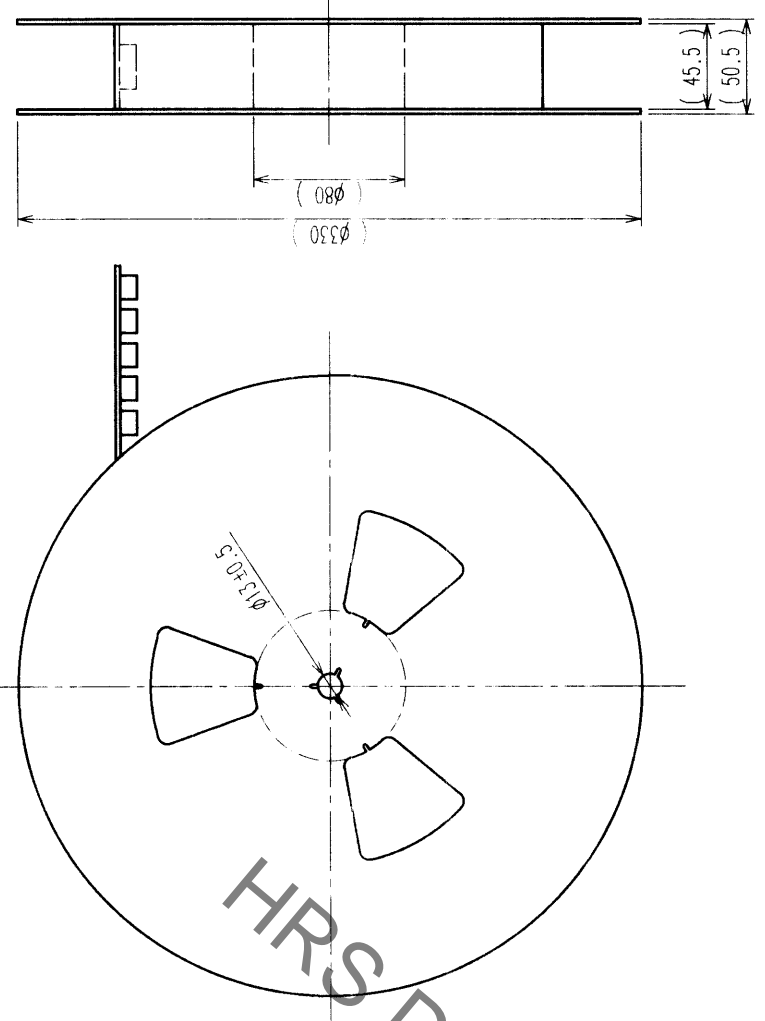
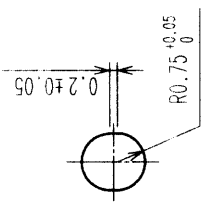
TO	
PCK	

REELED DIMENSION (FREE)



THE DIRECTION OF PULLING OUT →

A (5 : 1)



HRS DRAWING FOR REFERENCE

- NOTES 1 REEL: 1000 CONNECTORS.
- 2 MINIMUM 10 COMPARTMENTS FROM BOTH REEL ENDS REMAIN EMPTY.
- 3 THIS PRODUCT HAS NO POLARITY TO TAPE AND REEL PACKAGING.

COUNT	DESCRIPTION OF REVISIONS	BY	CHKD	DATE	COUNT	DESCRIPTION OF REVISIONS	BY	CHKD	DATE
△									
△									
△									

2	PET	TOP COVER TAPE	3	(CONNECTOR)	FINISH, REMARKS	FINISH, REMARKS
1	PS	EMBOSSED CARRIER TAPE	3			
NO.	MATERIAL	FINISH, REMARKS	NO.	MATERIAL	CHECKED	APPROVED
CODE NO. (OLD)	DRAWING NO.		NO.	DESIGNED	CHECKED	APPROVED
CL	EDC3-152623-01		NO.	DESIGNED	CHECKED	APPROVED
DRAWING FOR PACKING		DRAWN		DESIGNED	CHECKED	APPROVED
		J. MATSUKAWA		J. MATSUKAWA	M. ISHIDA	Y. YOSHIMURA
		00.01.15		00.01.15	00.01.17	00.01.17
SCALE		PART NO.		RELEASED		
2 : 1		FX11A-100P-SV0.5(21)				
UNITS		CODE NO.				
MM		CL573-0643-1-21				

TO	
PCK	