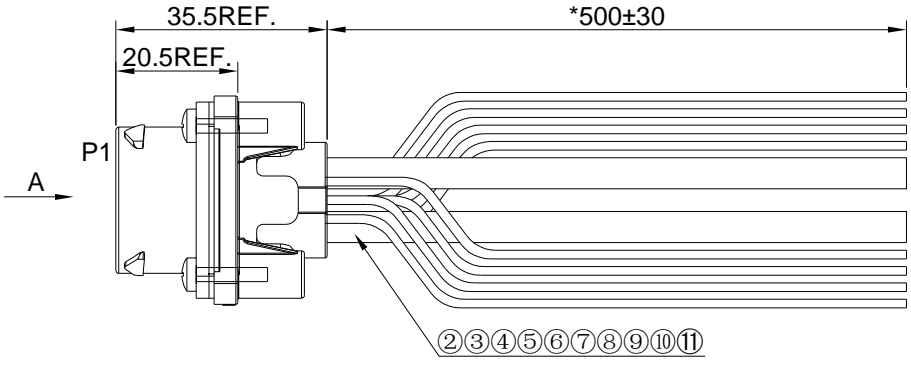
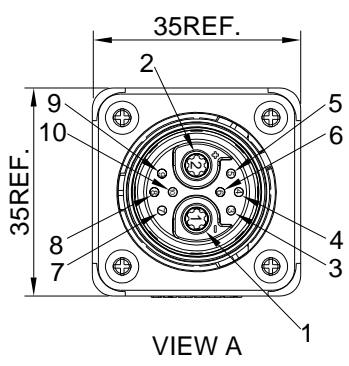
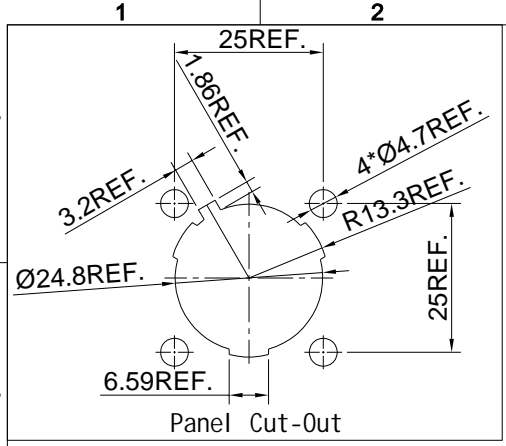


THIS INFORMATION IS CONFIDENTIAL AND IS DISCLOSED TO YOU ON CONDITION THAT NO FURTHER DISCLOSURE IS MADE BY YOU TO OTHER THAN CHOGORI PERSONNEL WITHOUT AUTHORIZATION FROM CHOGORI CORP.

| 5 | 6 | 7 | 8 |
|------|---------|------------|---------------|
| REV. | ECN NO. | DATE | SIGN |
| C1 | NA | 2022/07/01 | XU |
| | | | DESCRIPTION |
| | | | First Version |



Contact List

| | |
|---------|--------------|
| 10 | Black_24AWG |
| 9 | Brown_24AWG |
| 8 | Red_24AWG |
| 7 | Orange_24AWG |
| 6 | White_24AWG |
| 5 | Yellow_24AWG |
| 4 | Blue_24AWG |
| 3 | Green_24AWG |
| 2 | Red_9AWG |
| 1 | Black_9AWG |
| P1 | Wire size |
| Pin Out | |

| 11 | 900-00101-00074 | A/R | M | UL1007 24AWG BROWN |
|-----|-----------------|------|------|---|
| 10 | 900-00101-00071 | A/R | M | UL1007 24AWG YELLOW |
| 9 | 900-00101-00070 | A/R | M | UL1007 24AWG ORANGE |
| 8 | 900-00101-00043 | A/R | M | UL1007 24AWG GREEN |
| 7 | 900-00101-00042 | A/R | M | UL1007 24AWG BLACK |
| 6 | 900-00101-00041 | A/R | M | UL1007 24AWG RED |
| 5 | 900-00101-00040 | A/R | M | UL1007 24AWG WHITE |
| 4 | 900-00101-00019 | A/R | M | UL1007 24AWG BLUE |
| 3 | 900-00106-00061 | A/R | M | UL3132 9AWG SIR BLACK |
| 2 | 900-00106-00060 | A/R | M | UL3132 9AWG SIR RED |
| 1 | 38208636-01 | 1 | PC | MATE SERIES 2+8PIN PANEL MOUNT 2F8M (LOCK TYPE) |
| No. | Material No. | Q'ty | Unit | Material Description |

SPECIFICATIONS:
 1.INSULATION RESISTANCE: 10MΩ@500VDC/0.01S.
 2.VOLTAGE RATING: 80VDC.
 3.CURRENT RATING: 40A(9AWG)+3A(24AWG).
 4.OPERATION TEMPERATURE: -10°C~+80°C.
 5.WATERPROOF IPX7(MATED).
 6.RoHS COMPLIANT.

Material List

| | | | | | |
|--------------|----------------|------------|----|-------------|------------|
| ITEM NO. | 11C03622062808 | DRAWN BY | XU | DATE | 2022/07/01 |
| DWG NO. | 11C03622062808 | CHECKED BY | | DATE | |
| CUSTOMER NO. | | REV. | | APPROVED BY | |
| | | | | DATE | |

| | | | | | |
|--------------------------------------|------|-------|---|-------|-------------------|
| UNIT:mm | | TITLE | MATE SERIES 2+8PIN PANEL MOUNT 2F8M (LOCK TYPE) L=500MM | | |
| 未注线性和角度尺寸公差 UNSPECIFIED TOLERANCE | | SCALE | N/A | SHEET | 1 of 1 |
| GB/T 1804-M | REV. | C1 | SIZE | A4 | * Inspection Item |

CHOGORI[®]
 Chogori Technology Co., Ltd

A B C D E F

1 2 3 4 5 6 7 8