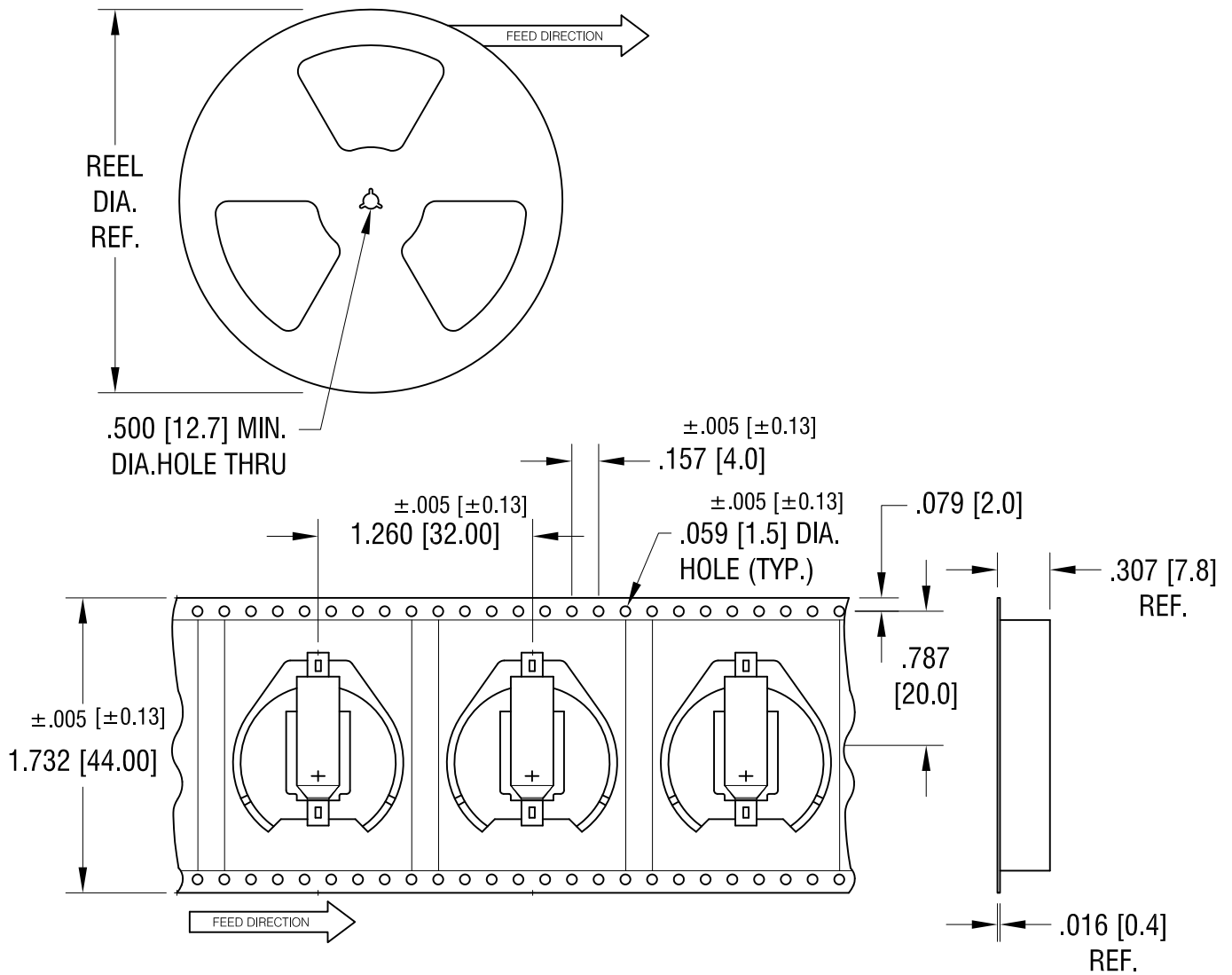


THIS DOCUMENT IS THE PROPERTY OF KEYSTONE ELECTRONICS CORP. AND SHALL NOT BE REPRODUCED, DISTRIBUTED OR USED AS A BASIS FOR MANUFACTURE WITHOUT PRIOR WRITTEN PERMISSION FROM KEYSTONE ELECTRONICS CORP.



NOTES:

TAPE AND REEL SPECIFICATIONS:

1. TAPE:

MAT'L - ALL CONDUCTIVE POLYSTYRENE CARRIER
 ANSI/EIA-481 STANDARD
 1.732 [44.0] WIDE; 1.260 [32.0] PITCH

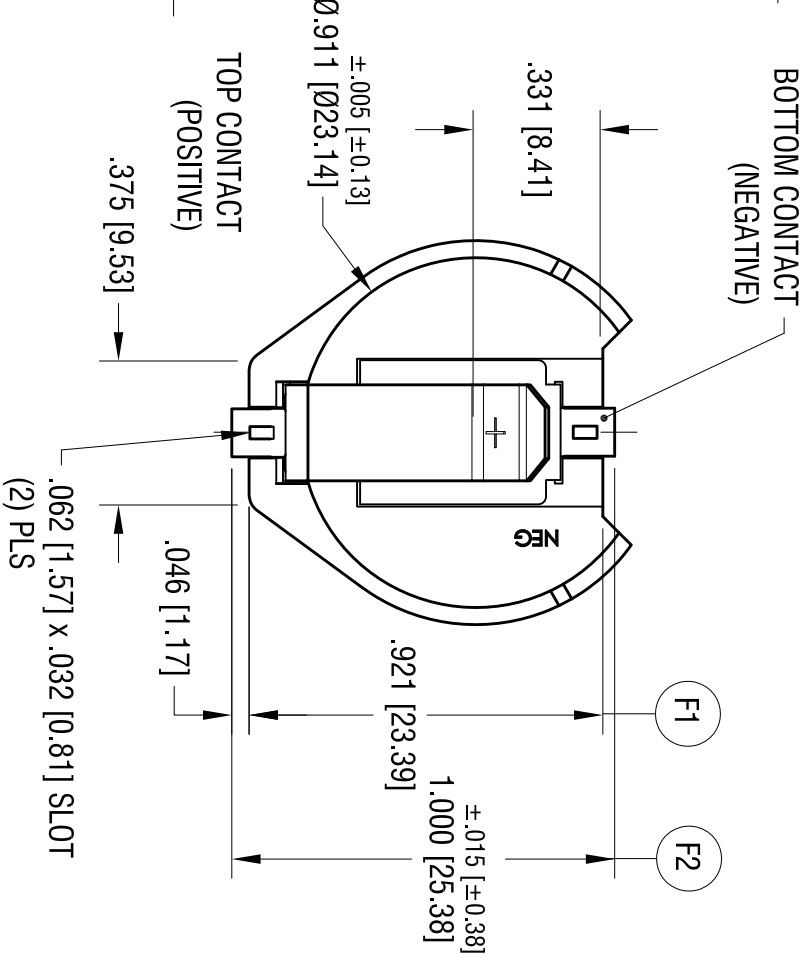
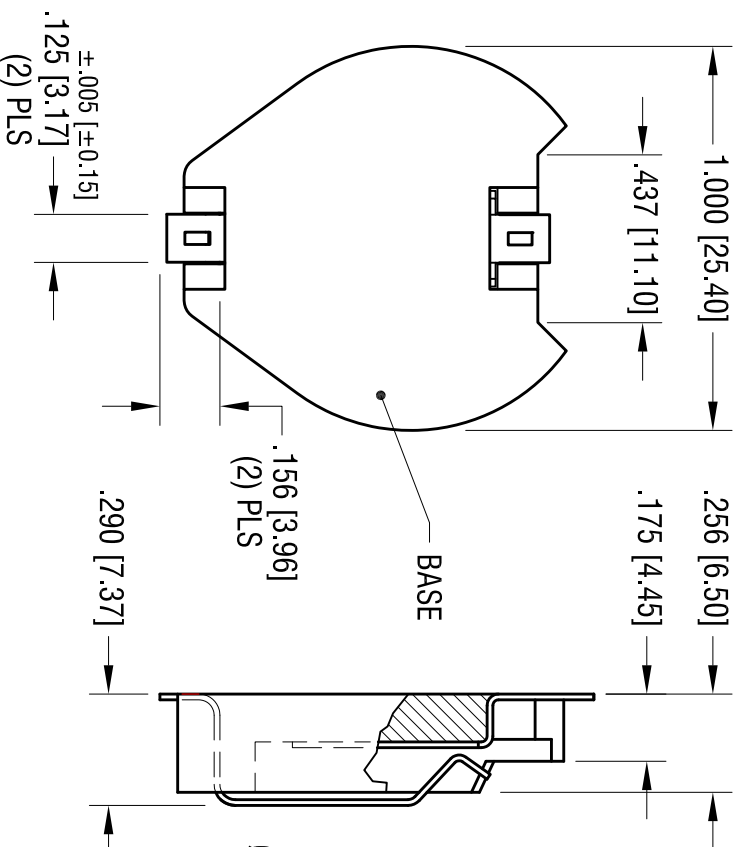
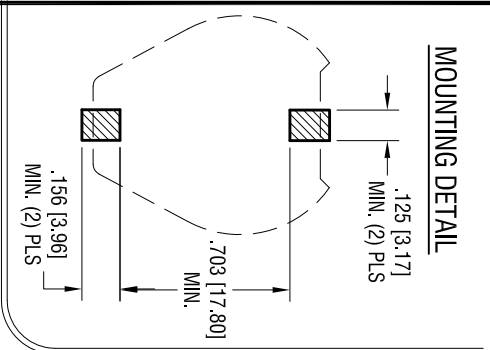
2. REEL:

13.0 [330.2] DIA. 200 PIECES OF
 PART NO. 1091 PER REEL.

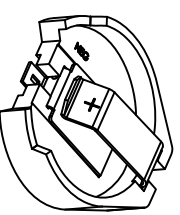
KEYSTONE ELECTRONICS CORP.			
www.keyelco.com • ASTORIA, N.Y. 11105-2017 • Tel (718) 956-8900			
PART NAME			
23mm SM COIN CELL HOLDER ON TAPE			
MATERIAL			
AS NOTED			
FINISH		DRN BY	DATE
AS NOTED		NT	3.19.09
		APP'D	SCALE
		LN	X
TOLERANCES	INCH [MM]	CODE	DWG NO.
DECIMAL	±.015 [±0.38]	C	1091TR
ANGULAR ± 1°			
UNLESS OTHERWISE SPECIFIED			

DATE	DESCRIPTION	REV.

MOUNTING DETAIL



- NOTES:**
1. BASE:
MAT'L - HIGH TEMPERATURE NYLON (UL 94V-0)
 2. CONTACTS (TOP AND BOTTOM):
MAT'L - .015 [0.38] THK SPRING STEEL
FINISH: GOLD FLASH PLATE



ACTUAL SIZE

DATE	DESCRIPTION	REV.
8.12.11	CHANGE AS PER ECN 11-104	A
1.10.22	CHANGE AS PER ECN 22-003 B1 WAS .931, B2 WAS 1.015	B

KEYSTONE ELECTRONICS CORP.
 www.keye/co.com • NEW HYDE PARK, NY 11040 • Tel (516) 328-7500

PART NAME
23mm BATTERY HOLDER, SMT

MATERIAL
AS NOTED

FINISH
AS NOTED

TOLERANCES	INCH	[MM]	CODE	DRN BY	DATE
DECIMAL	± .010	[± 0.25]	C	NT	3.19.01
ANGULAR	± 1°			LN	SCALE 2X

DWG NO.
1091

THIS DOCUMENT IS THE PROPERTY OF KEYSTONE ELECTRONICS CORP. AND SHALL NOT BE REPRODUCED, DISTRIBUTED OR USED AS A BASIS FOR MANUFACTURE WITHOUT PRIOR WRITTEN PERMISSION FROM KEYSTONE ELECTRONICS CORP.