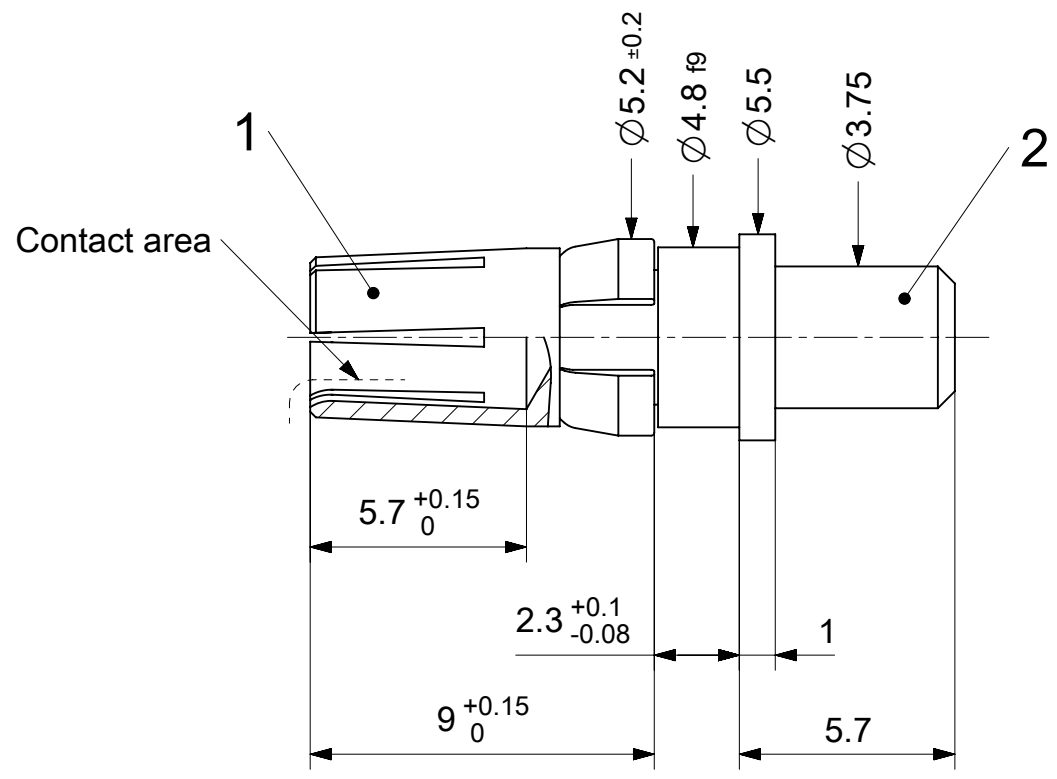


2:1



RoHS compliant  
by exemption

1731120396	FMP139S104	104
1731121130	FMP139S105	105
1731120397	FMP139S115	115
1731121291	FMP139S203	203
Material Number	FCT Part Number	Material + Finish See extra sheet

UNLESS OTHERWISE SPECIFIED DIMENSIONS FOR REFERENCE ONLY		REPLACEMENT FOR DOCUMENT NUMBER: FMP139S	
FUNCTIONAL SYMBOLS	THIS DRAWING CONTAINS INFORMATION THAT IS PROPRIETARY TO MOLEX ELECTRONIC TECHNOLOGIES, LLC AND SHOULD NOT BE USED WITHOUT WRITTEN PERMISSION		
$\frac{F}{A} = 0$ $\frac{F}{E} = 0$ $\frac{F}{P} = 0$	DIMENSION UNITS <b>mm</b>	SCALE <b>5:1</b>	CURRENT REV DESC:  EC NO: 686935 DRWN: FVETTER 2021/11/29 CHK'D: MTEUBEL 2021/11/30 APPR: MTEUBEL 2021/11/30
DIVISIONAL SYMBOLS	GENERAL TOLERANCES (UNLESS SPECIFIED) ANGULAR TOL ± ° 4 PLACES ± 3 PLACES ± 2 PLACES ± 1 PLACE ± 0 PLACES ±	INITIAL REVISION: DRWN: VLOKESHA 2021/04/07 APPR: MTEUBEL 2021/11/25	<b>molex</b>  FCT 40A HIGH POWER CONTACT FOR EN 60603-2  PRODUCT CUSTOMER DRAWING
DOCUMENT NUMBER	DOC TYPE	DOC PART	REVISION
1731120396	PSD	000	A1
DRAFT WHERE APPLICABLE MUST REMAIN WITHIN DIMENSIONS	FIRST ANGLE PROJECTION	DRAWING	SHEET NUMBER
		A4-SIZE	1 OF 1
SERIES	MATERIAL NUMBER	CUSTOMER	
173112	SEE TABLE	GENERAL MARKET	

DOCUMENT STATUS	P1	RELEASE DATE	2021/11/30	09:45:36
-----------------	----	--------------	------------	----------