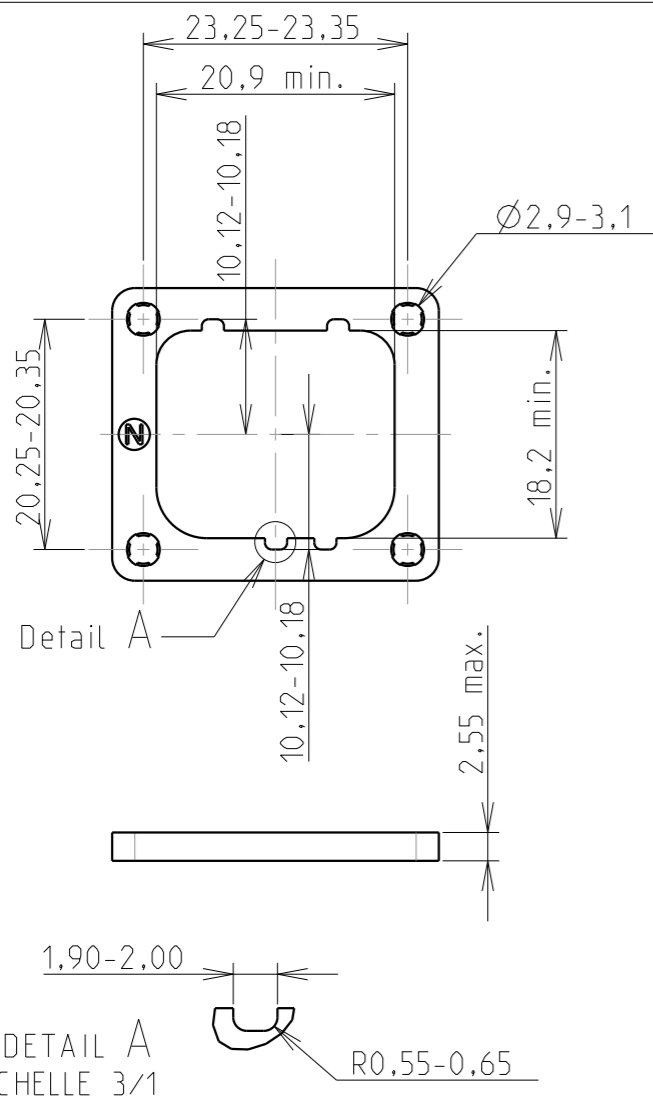
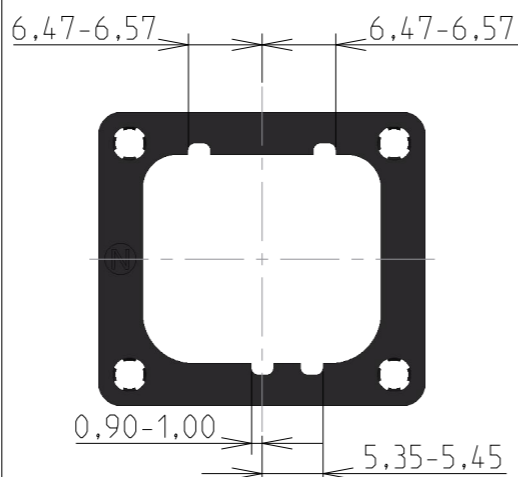


COLOUR CODING PLATE

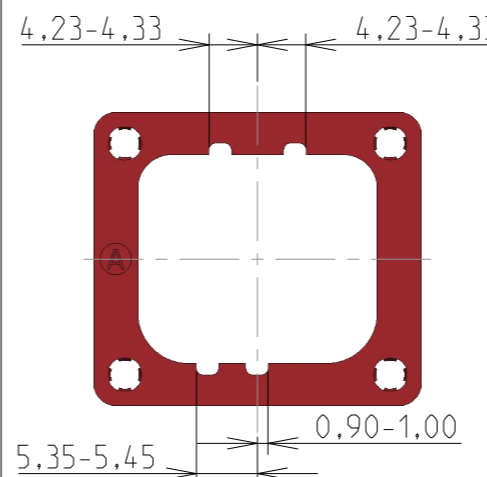
General dimensions



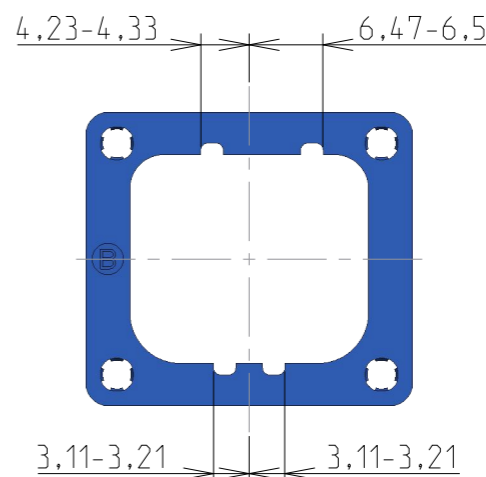
Polarization N (Black)



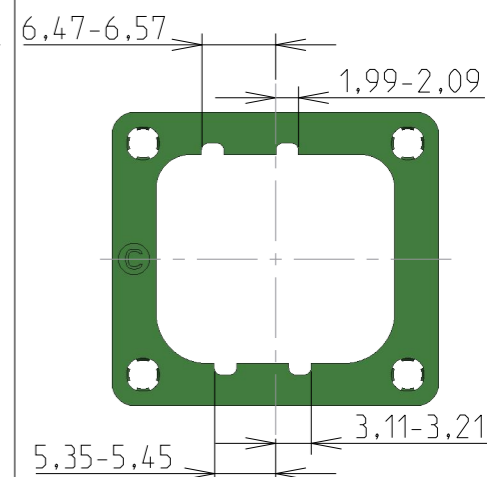
Polarization A (Red)



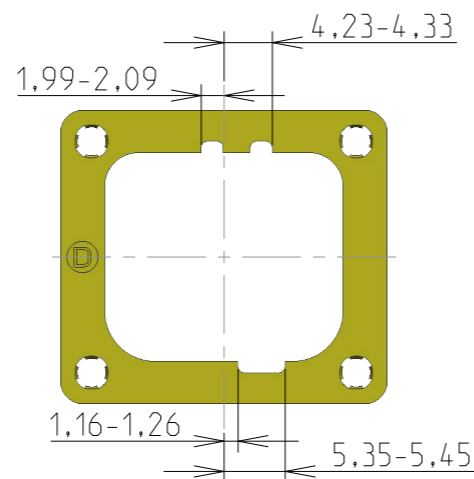
Polarization B (Blue)



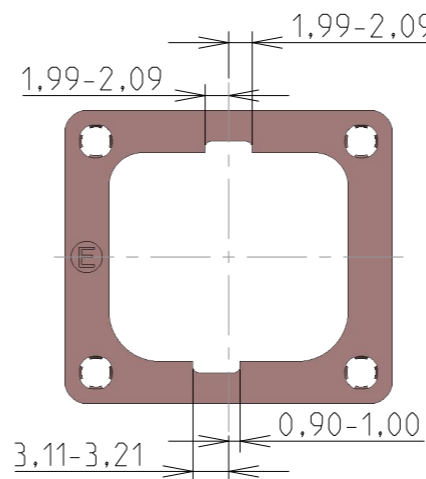
Polarization C (Green)



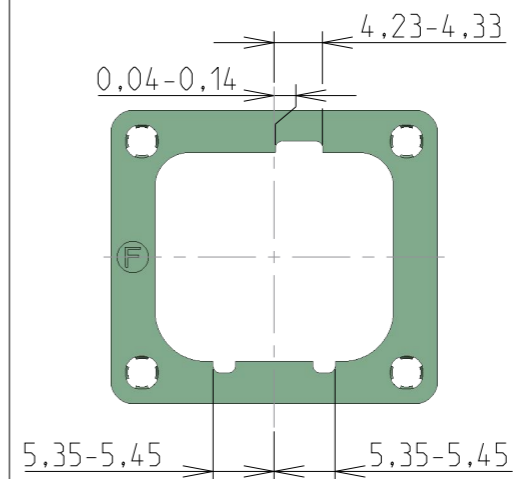
Polarization D (Yellow)



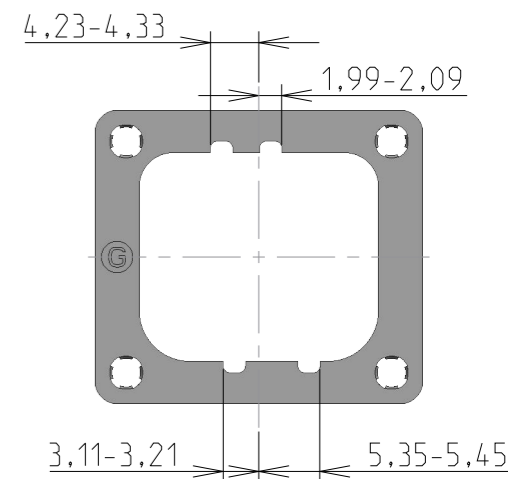
Polarization E (Pink)



Polarization F (Clear green)



Polarization G (Clear grey)



Technical Characteristics

Material & finishes

Material : Composite

Climatic

Operating temperature range : -55°C to +175°C
Salt spray (corrosion) : 500 hrs

Mechanical

Compliant EN4165 - BACC65 - ARINC 809
Adapted to short and extended receptacles

Environmental

RoHS and REACH compliant
Fluid resistance : See standard
EN 4165-001 (table 40)

MASS 1.2 g max.

Country	Jurisdiction & Control List
FR	NOT LISTED

BASIC SERIE	8MQ	2	A	1	C	25	N
2 = Serie 2		A = Accessory		1 = Number of cavities		C = Colour coding plate	
25 = Based on standard EN4165		N, A, B, C, D, E, F, G = polarization					

SOURIAU shall not be liable for any non-conformity or damage due to a use of the Products which does not comply with the Specifications issued by either of the Parties or by a third party (professional recommendation, technical notice.)

P/N : SEE TABLE

A	09/08/17	First issue	24230S
ISS	DATE	Latest modification - by:	MOD N°
Designed by:		N.AUFFRET Date:09/08/17	CUSTOMER DRAWING
TITLE		COLOUR CODING PLATE - ACCESSORY BASIC SERIE 8MQ - EN4165	
Scale	3/2	General linear Tolerances: ± --	NPRDS / PROJECT BE133702A
SOURIAU		WWW.SOURIAU.COM	
This document is the property of SOURIAU It must not be reproduced or communicated without permission			
FORMAT	SOURIAU DRG N°		SHEET
A3	CO30-8MQ-A		1 / 1