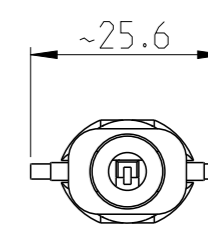
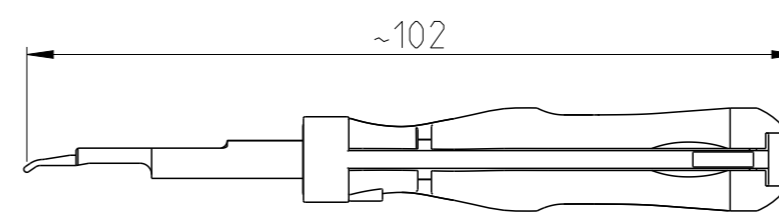
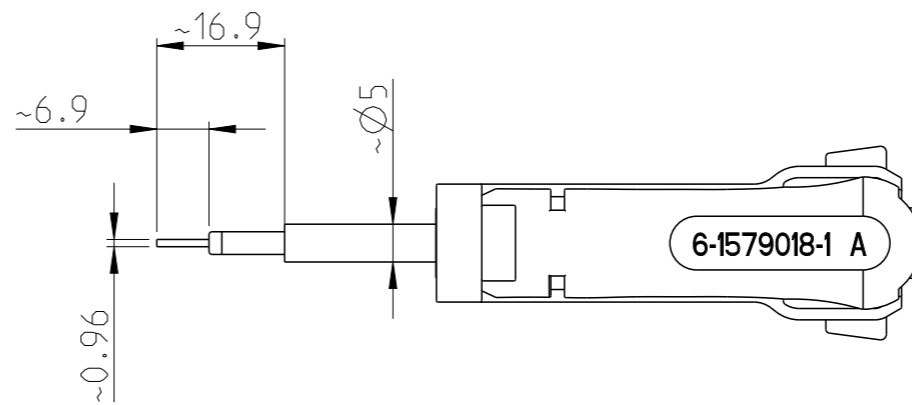
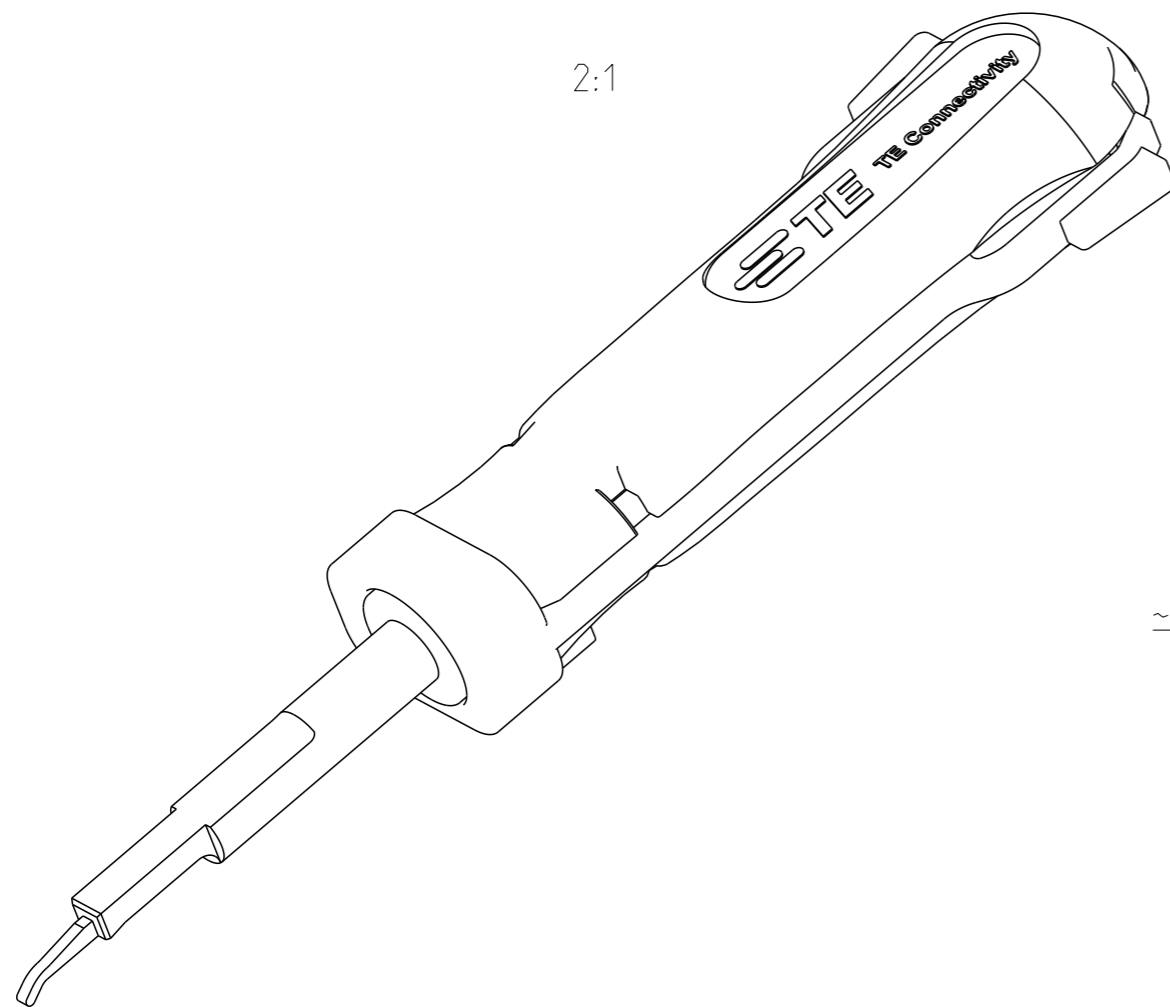


REVISIONS

P	LTR	DESCRIPTION	DATE	DWN	APVD
	A1	ECR-19-018738	03DEC2019	PNT	GS

2:1



APPLICATION RANGE / Anwendungsbereich:

MCON TAB CONTACT 1.2: 1418760
 MIXED TAB HOUSING 15 POS.: 1564461

THIS DRAWING IS A CONTROLLED DOCUMENT.

DIMENSIONS:	TOLERANCES UNLESS OTHERWISE SPECIFIED:
mm	
	0 PLC ±
	1 PLC ±
	2 PLC ±
	3 PLC ±
	4 PLC ±
	ANGLES ±
MATERIAL	FINISH
-	-
-	-

DWN	S.Samstag	17AUG2009
CHK	S.Samstag	12OCT2009
APVD	S.Samstag	12OCT2009
PRODUCT SPEC	-	
APPLICATION SPEC	-	
WEIGHT	0.014	
CUSTOMER DRAWING		

		TE Connectivity	
		NAME	
EXTRACTION TOOL		Entriegelungswerkzeug	
SIZE	CAGE CODE	DRAWING NO	RESTRICTED TO
A3	00779	6-1579018-1	
SCALE		SHEET	REV
1:1		1 OF 1	A1