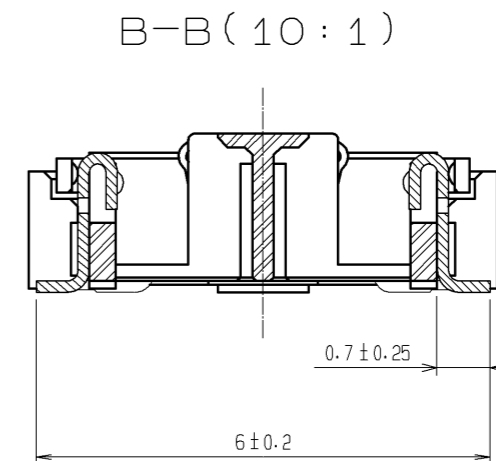
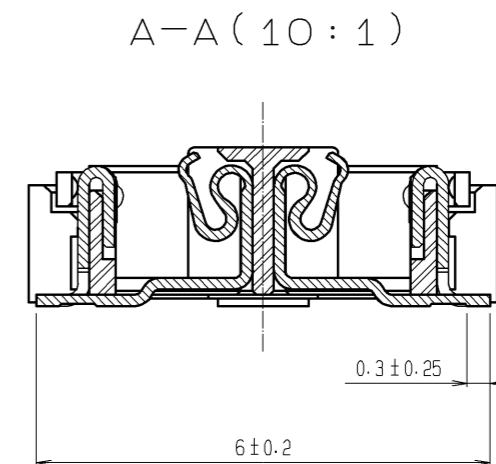
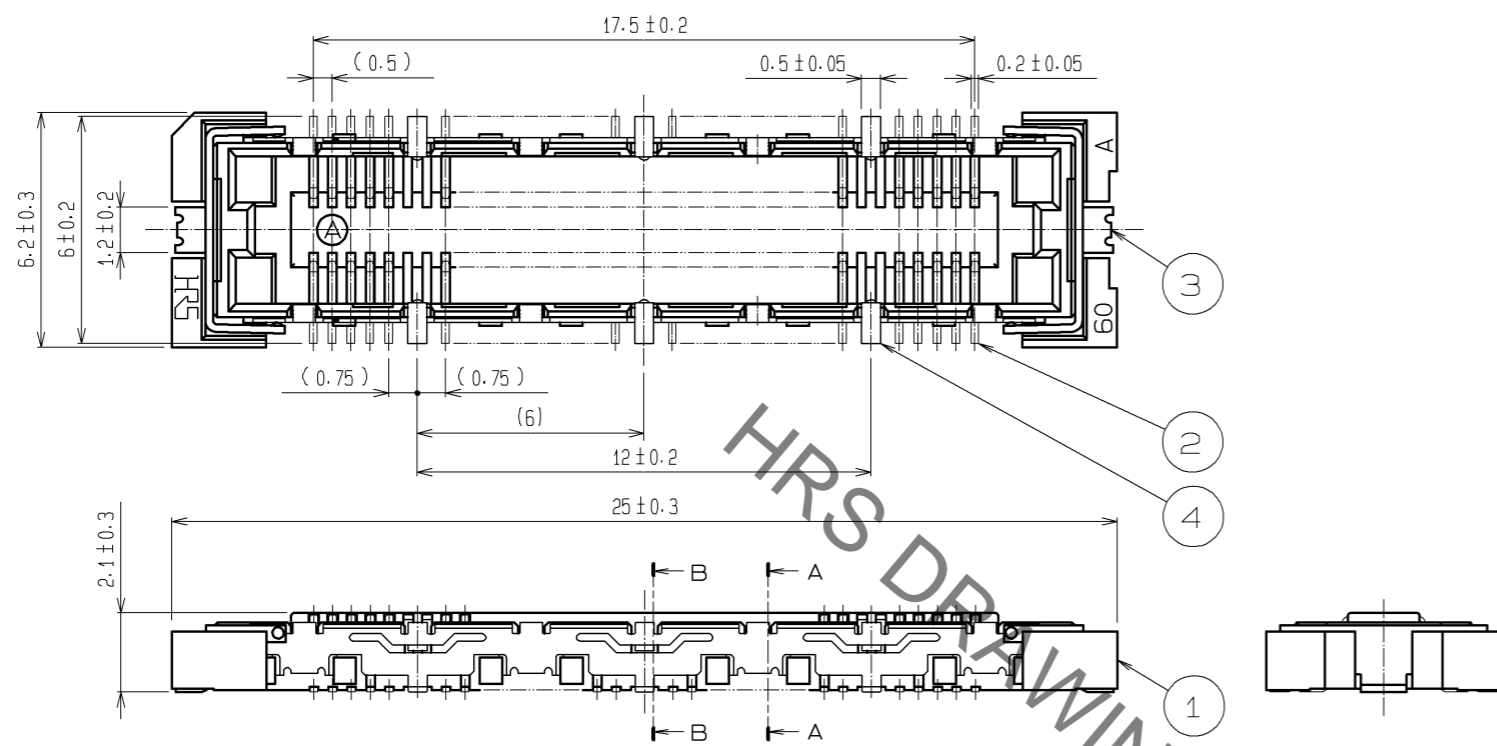
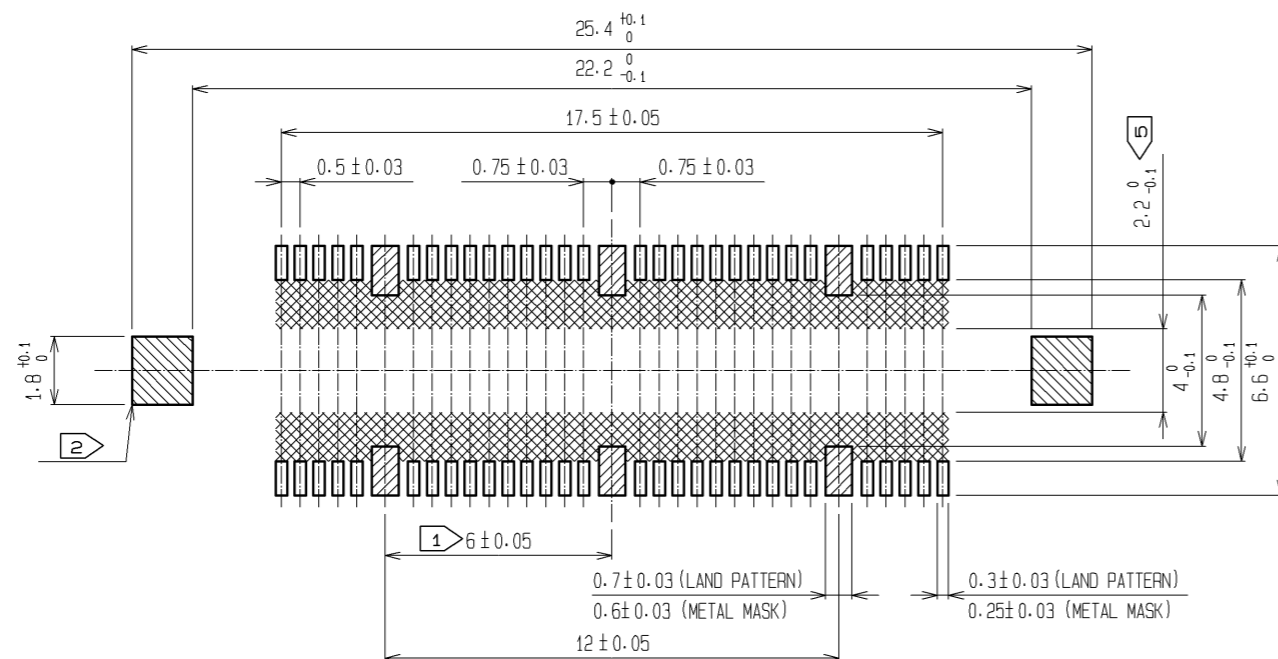


May.1.2023 Copyright 2023 HIROSE ELECTRIC CO., LTD. All Rights Reserved.
 In case of consideration for using Automotive equipment / device which demand high reliability, kindly contact our sales window correspondents.



RECOMMENDED LAND PATTERN DIMENSION OF PCB
 (RECOMMENDED METAL MASK THICKNESS: 0.15mm)



- NOTES
- ① 6 HATCHED PARTS: GROUND CIRCUIT.
 - ② 2 HATCHED PARTS: GROUND CIRCUIT.
 - ③ SMT LEAD-COPLANARITY: 0.1 MAX.
 - ④ THIS PRODUCT HAS NO POLARITY TO PATTERN FOR MOUNTING.
 - ⑤ MAKE SURE WIDTH OF PATTERN IS WITHIN THAT OF LAND .OR LEAD MAY TOUCH PATTERN. (THIS APPLIES TO HATCHED AREA.)
 - ⑥ THE DIMENSIONS IN PARENTHESES ARE FOR REFERENCE.

HRS DRAWING FOR REFERENCE

3, 4	PHOSPHOR BRONZE	TIN PLATING	2	PHOSPHOR BRONZE	CONTACT AREA : GOLD 0.1μm min.			
1	LCP	BEIGE UL94V-0			LEAD AREA : GOLD 0.05μm min.			
					UNDER PLATING : NICKEL 1μm min.			
NO.	MATERIAL	FINISH . REMARKS	NO.	MATERIAL	FINISH . REMARKS			
UNITS	mm	SCALE	5 : 1	COUNT	DESCRIPTION OF REVISIONS	DESIGNED	CHECKED	DATE
HRS		HIROSE ELECTRIC CO., LTD.	APPROVED : HS. OKAWA	12.03.08	DRAWING NO.	EDC3-152636-25		
			CHECED : HT. YAMAGUCHI	12.03.08	PART NO.	FX11B-60S/6-SV(71)		
			DESIGNED : TS. MIYAKI	12.03.08	CODE NO.	CL573-0712-2-71		
			DRAWN : TS. MIYAKI	12.03.08		1/1		