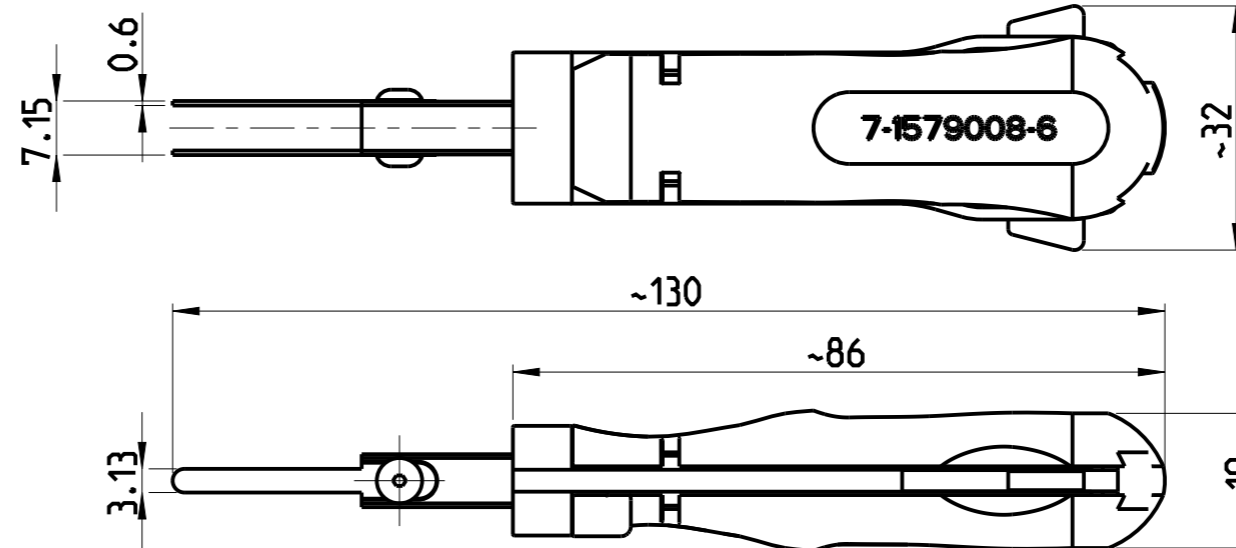
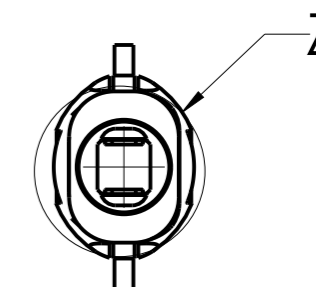
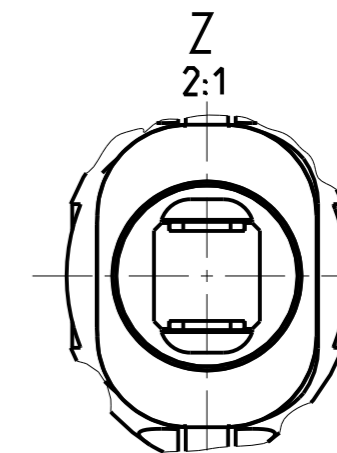
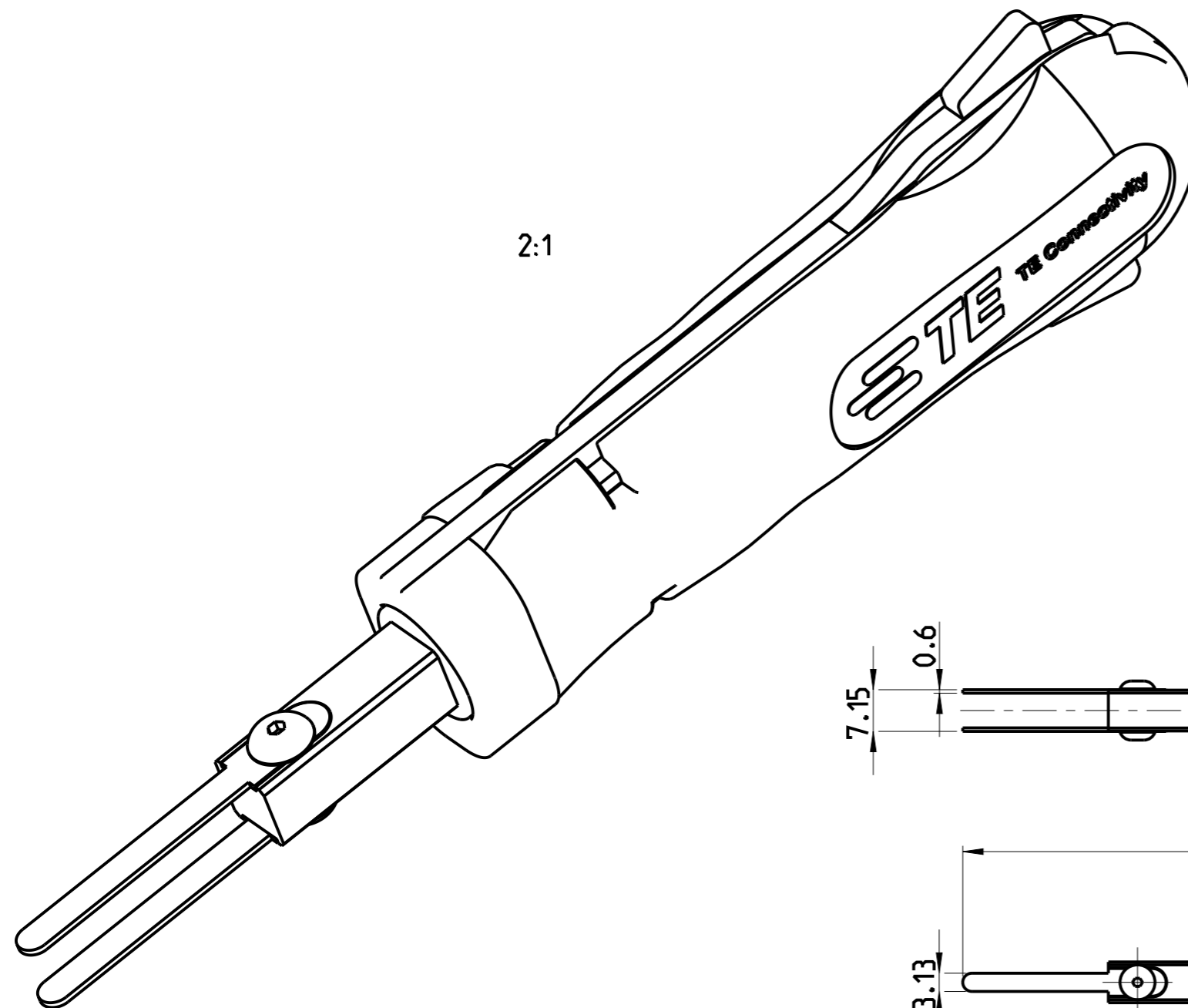



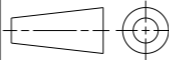
REVISIONS

P	LTR	DESCRIPTION	DATE	DWN	APVD
A1	ECR-17-017424		30NOV2017	MG	BM
A2	ECR-20-017979		02FEB2021	PNT	GS



APPLICATION RANGE / Anwendungsbereich:

FOR TYPE XII : X-66740-X, X-66741-X, X-66261-X,
 X-66255-X, X-66262-X, X-66256-X
 X-66259-X, X-66253-X, X-66260-X
 X-66254-X
 FOR HOUSING : X-206425-X

THIS DRAWING IS A CONTROLLED DOCUMENT.		DWN S.Samstag 06MAY2009	 TE Connectivity		
DIMENSIONS: mm		CHK S.Samstag 06MAY2009			
TOLERANCES UNLESS OTHERWISE SPECIFIED:		APVD S.Samstag 06MAY2009	NAME UNLOCKING TOOL Entriegelungswerkzeug		
		PRODUCT SPEC	RESTRICTED TO		
MATERIAL		FINISH	SIZE A3	CAGE CODE 00779	DRAWING NO C-7-1579008-6
			WEIGHT 0.024 kg		
			CUSTOMER DRAWING	SCALE 1:1	SHEET 1 OF 1
				REV A2	