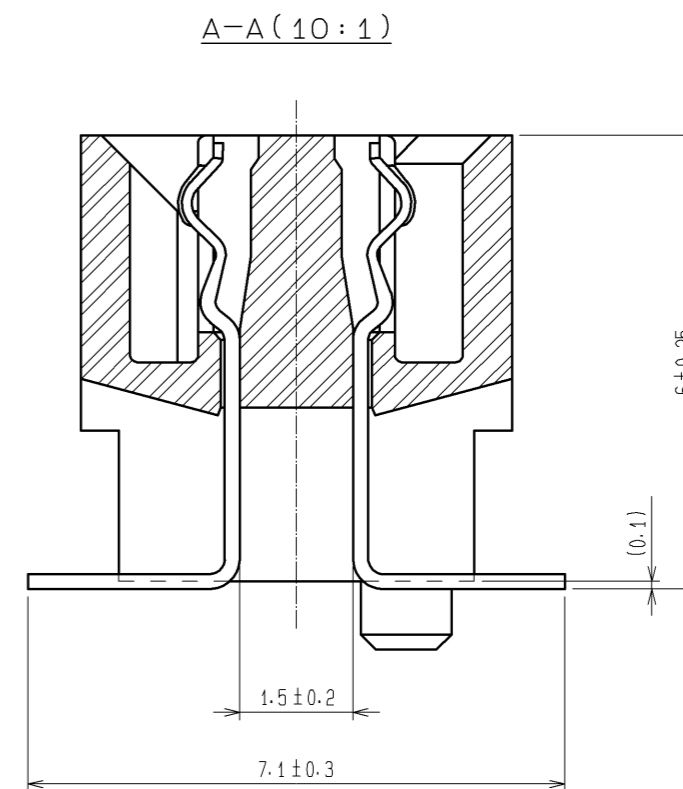
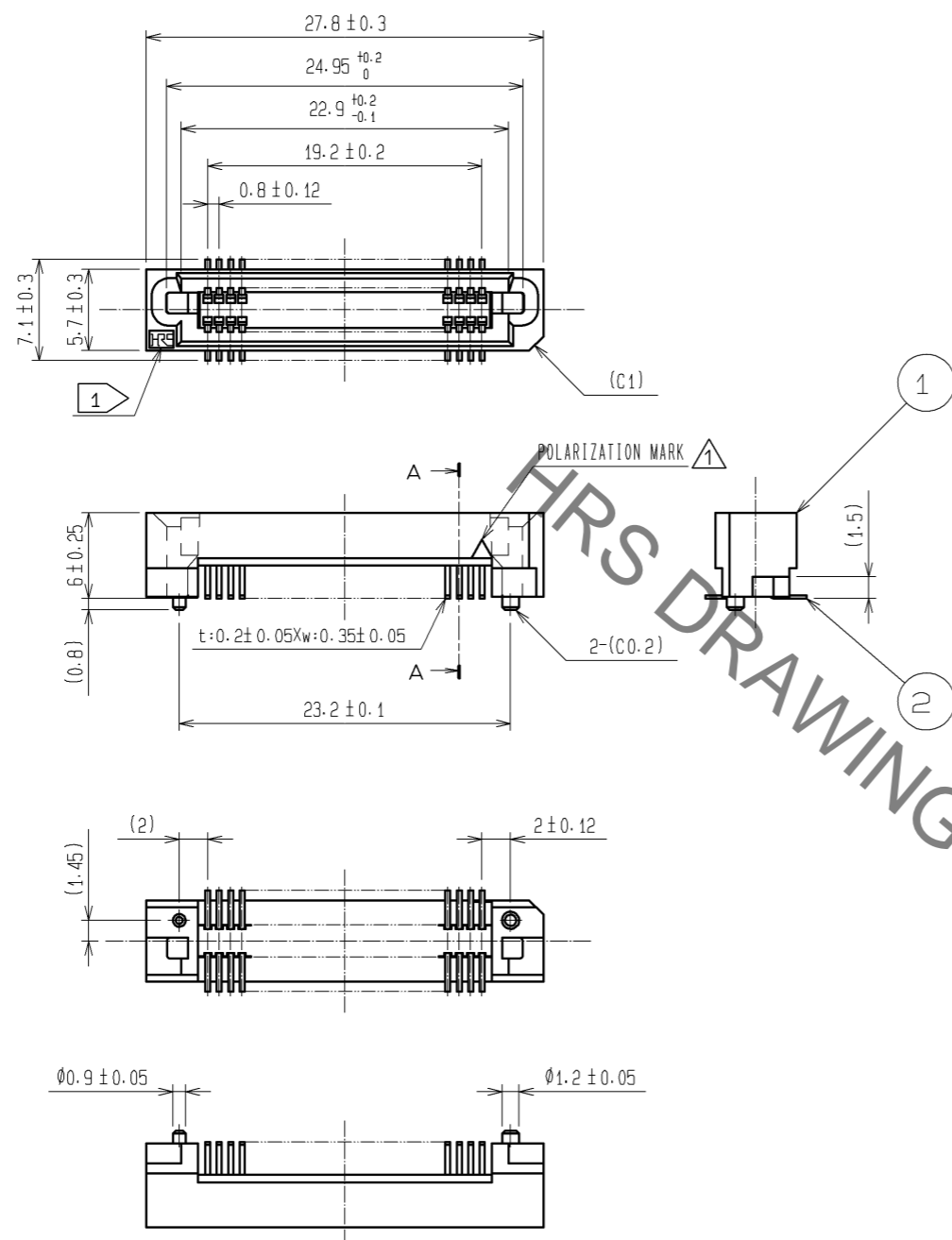
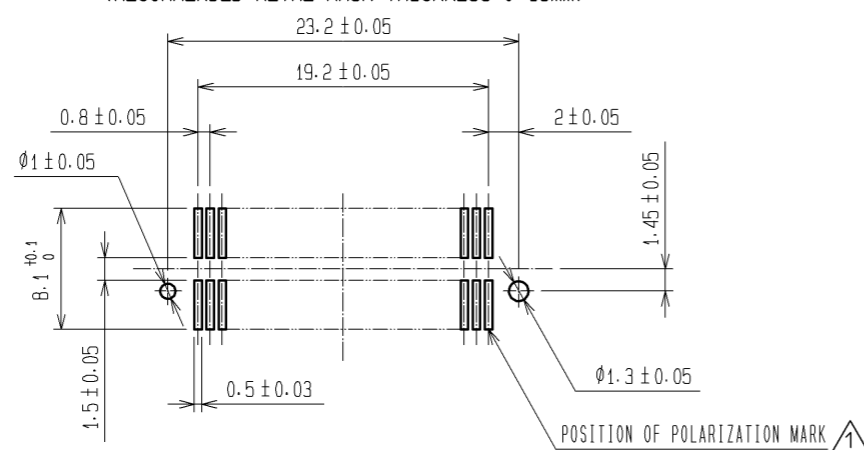


May.1.2023 Copyright 2023 HIROSE ELECTRIC CO., LTD. All Rights Reserved.
In case of consideration for using Automotive equipment / device which demand high reliability, kindly contact our sales window correspondents.



- NOTE
- 1 HRS MARK SHALL BE OPTIONAL.
 - 2 LEAD CO-PLANARITY SHALL BE 0.1mm MAX.
 - 3 EMBOSSED CARRIER TAPE PACKAGING SHALL BE APPLIED TO THIS PRODUCT. SEE NEXT PAGE FOR DETAILS.
 - 4 THIS PRODUCT HAS TAPE FOR VACUUM PICKUP. SEE NEXT PAGE FOR DETAIL OF STICKING POSITION, ETC.
 - 5 FOR MODIFICATION, ETC. PREVENTIVE HOLE FOR SINK MARK MAY BE ADDED ACCORDING TO CIRCUMSTANCES.
 - 6 THE DIMENSIONS IN PARENTHESSES ARE FOR REFERENCE.

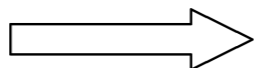
RECOMMENDED LAND PATTERN DIMENSION OF PCB (MOUNTING SIDE)
(RECOMMENDED METAL MASK THICKNESS: 0.15mm)



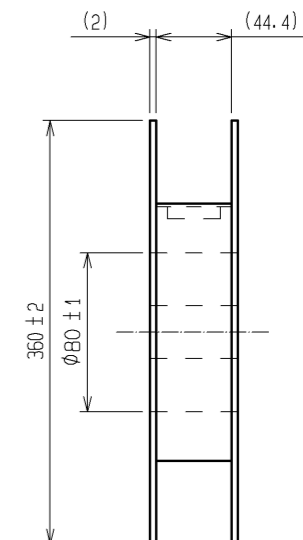
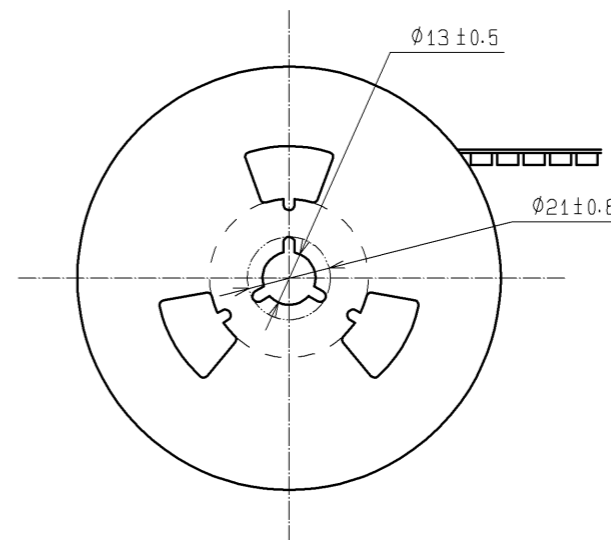
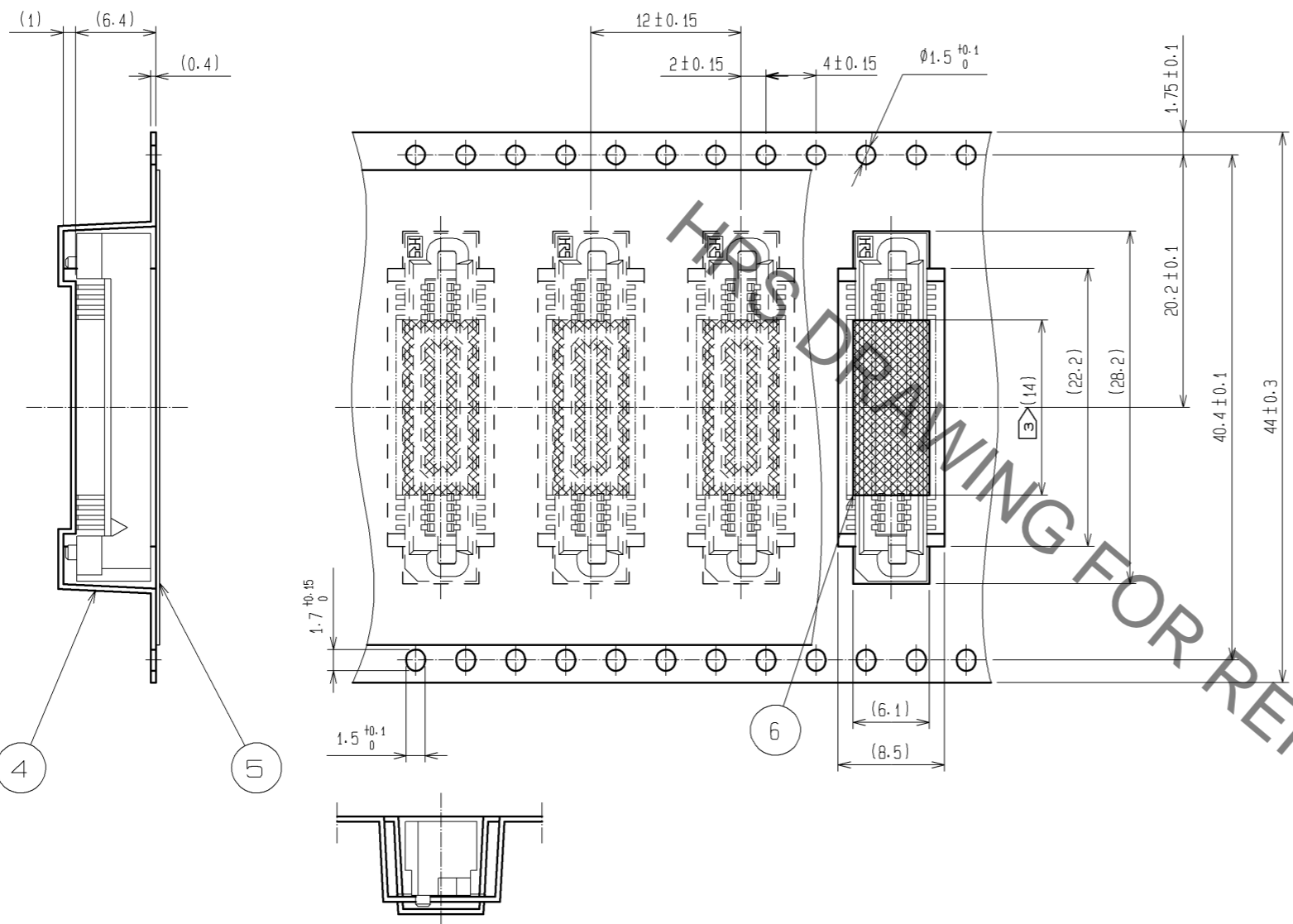
2	PHOSPHOR BRONZE	CONTACT AREA: GOLD 0.1μm min.	5	POLYIMIDE	(TAPE FOR VUCUUM PICKUP)		
		LEAD AREA: TIN-PLATING 1μm min.			4	POLYESTER	(TOP COVER TAPE)
		UNDER PLATING: NICKEL 2μm min.			3	POLYSTYRENE	(EMBOSSED CARRIER TAPE)
1	PPS	LIGHT BROWN (UL94V-0)					
NO.	MATERIAL	FINISH . REMARKS	NO.	MATERIAL	FINISH . REMARKS		
UNITS mm		SCALE 2 : 1	COUNT 2	DESCRIPTION OF REVISIONS DIS-F-003246			
DESIGNED HK. SUNADORI		CHECKED HT. YAMAGUCHI		DATE 08.07.22			
APPROVED : HS. OKAWA 08.06.13		DRAWING NO. EDC3-071641-23					
CHECED : HT. YAMAGUCHI 08.06.13		PART NO. FX6-50S-0.8SV2(93)					
DESIGNED : SY. KAMIGA 08.06.12		CODE NO. CL576-0124-3-93					
DRAWN : HK. SUNADORI 08.06.12							

DRAWING FOR PACKING(2:1)

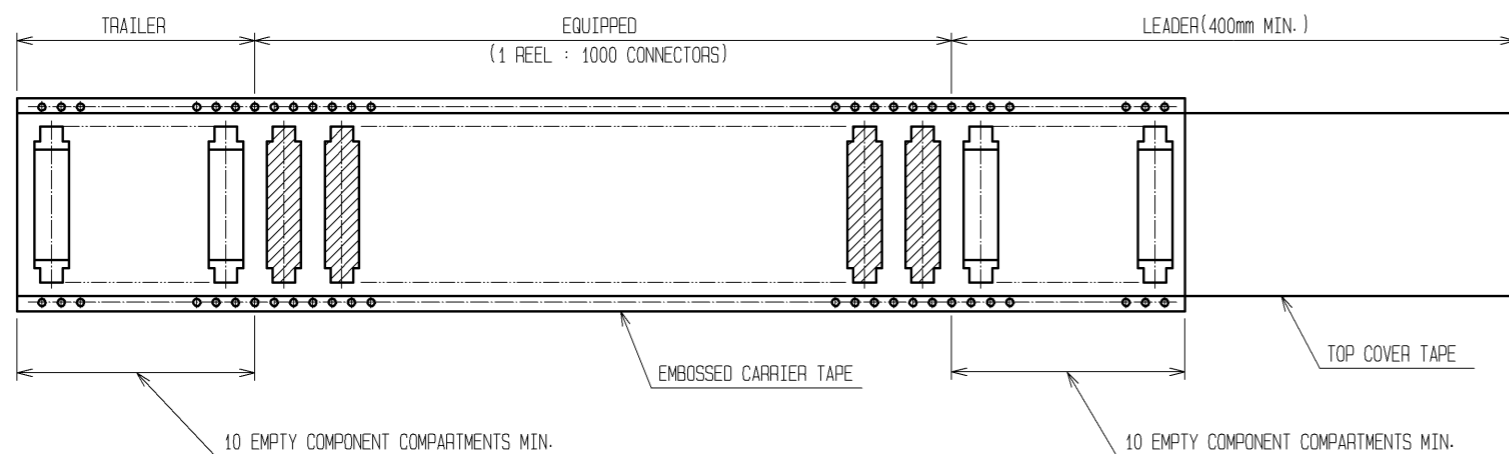
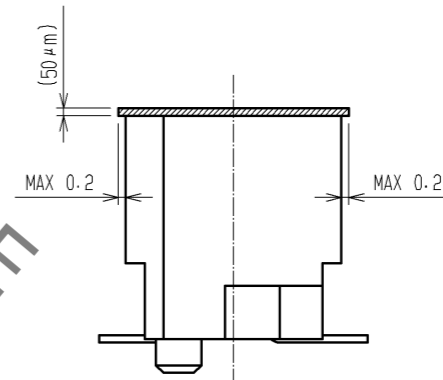
UNREELING DIRECTION



REELED DIMENSION (FREE)



DETAIL POSITION OF TAPE FOR VACUUM PICK-UP (5:1)



NOTE 1. THE DIMENSIONS IN PARENTHESES ARE FOR REFERENCE.

2. 1 REEL : 1000 CONNECTORS

3 REMOVE THE VACUUM PICK-UP TAPE AFTER MOUNTING THE CONNECTOR.

HRS	DRAWING NO.	EDC3-071641-23
	PART NO.	FX6-50S-0.8SV2(93)
	CODE NO.	CL576-0124-3-93
		2/2