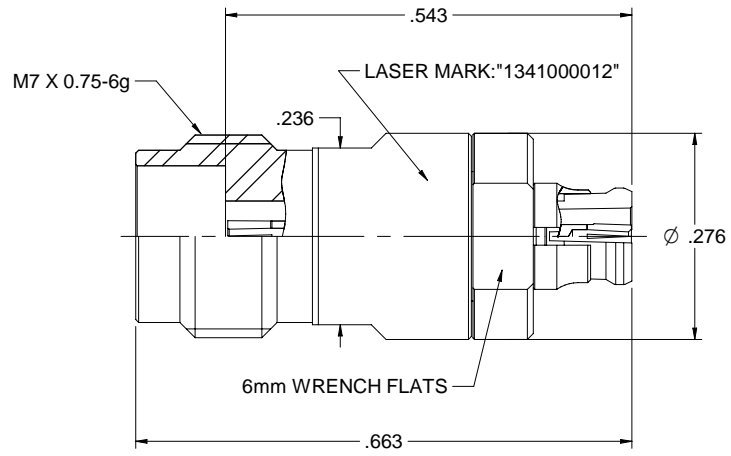


MODEL NO.	PACKAGING
134-1000-012	ONE PCS PER BAG

REV	ECO	DATE
001	ECO-17-002	11/28/2017
002	ECO-18-002	08/21/2018



NOTES: UNLESS OTHERWISE SPECIFIED

1. MATERIAL & FINISH:

- 1.1 BODY: PASSIVATED STAINLESS STEEL
- 1.2 CONTACT PIN, C RING & CONTACT BODY: GOLD PLATED BERYLLIUM COPPER
- 1.3 INSULATOR: ULTEM 1000 AMBER

2. ELECTRICAL:

- 2.1 IMPEDANCE: 50 OHMS
- 2.2 FREQUENCY RANGE: DC-40 GHz
- 2.3 RETURN LOSS: -20DB MAX
- 2.4 CONTACT RESISTANCE: CENTER CONTACT: 6 MILLIOHMS MAX  
OUTER CONTACT: 2.5 MILLIOHMS MAX
- 2.5 DIELECTRIC WITHSTANDING VOLTAGE: 500 VRMS MIN
- 2.6 INSULATION RESISTANCE: 5000 MOHM MIN

3. MECHANICAL:

- 3.1 ENGAGEMENT FORCE: 0.23 NM MAX (2.4MM)  
FULL DETENT: 68 N MAX, LIMITED DETENT: 45 N MAX, SMOOTH BORE: 9 N MAX (SMP)
- 3.2 DISENGAGEMENT FORCE: 0.23 NM MAX (2.4MM)  
FULL DETENT: 22 N MAX, LIMITED DETENT: 9 N MAX, SMOOTH BORE: 2.2N MAX (SMP)
- 3.3 CONTACT RETENTION: 20 N MIN
- 3.4 DURABILITY: 500 CYCLES MIN (2.4MM)  
FULL DETENT: 100 CYCLES MIN, LIMITED DETENT: 500 CYCLES MIN, SMOOTH BORE: 1000 CYCLES MIN (SMP)

4. ENVIRONMENT:

- 4.1 THERMAL SHOCK: MIL-STD-202, METHOD 107, CONDITION B.
- 4.2 OPERATING TEMPERATURE: -65 TO 165°C
- 4.3 SHOCK: MIL-STD-202, METHOD 213, CONDITION I
- 4.4 VIBRATION: MIL-STD-202, METHOD 204, CONDITION D
- 4.5 MOISTURE RESISTANCE: MIL-STD-202, METHOD 106

	Model No. 134-1000-012	<b>Johnson</b>	
			<b>ADAPTER ASSEMBLY 2.4mm JACK TO SMP JACK</b>