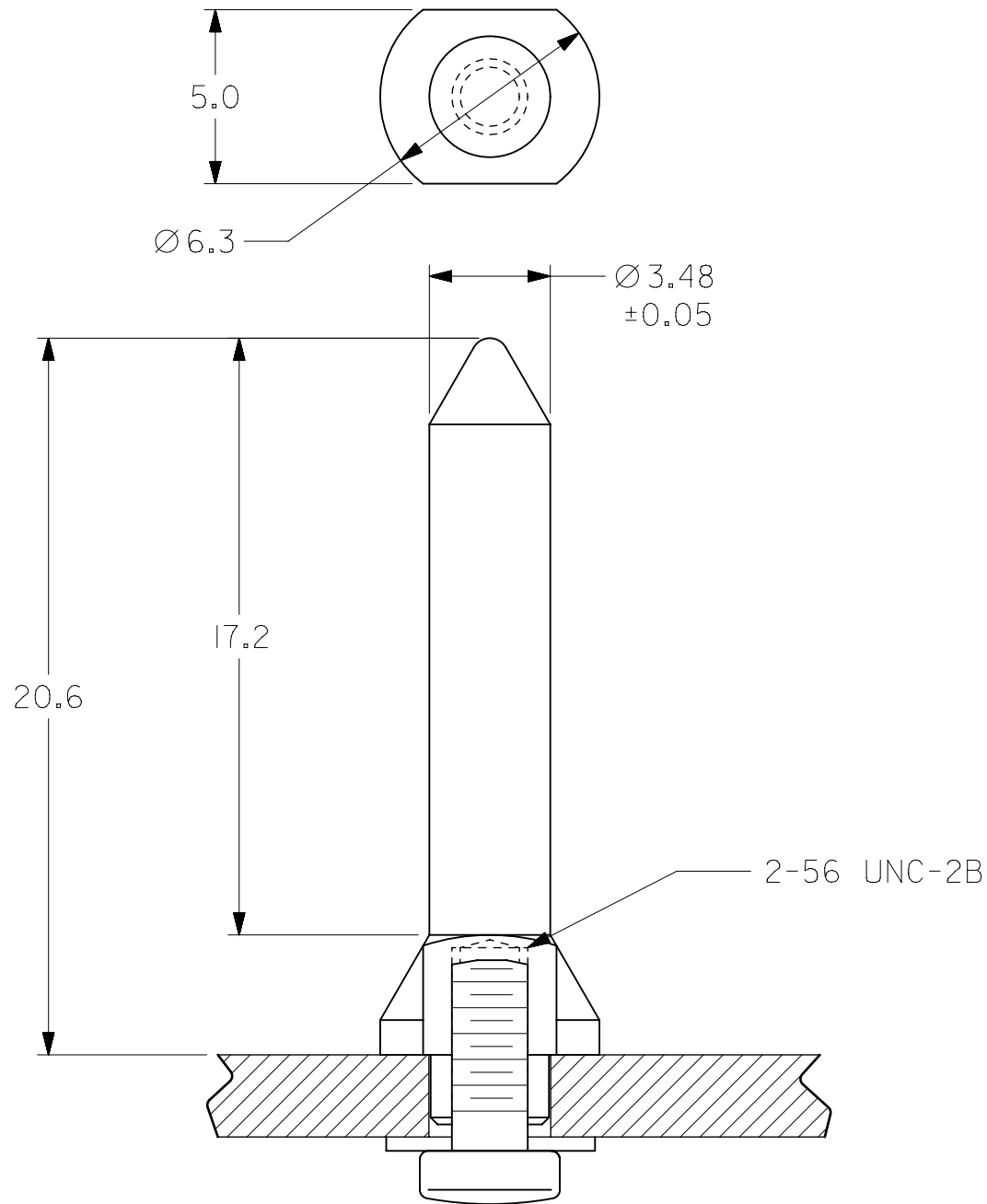
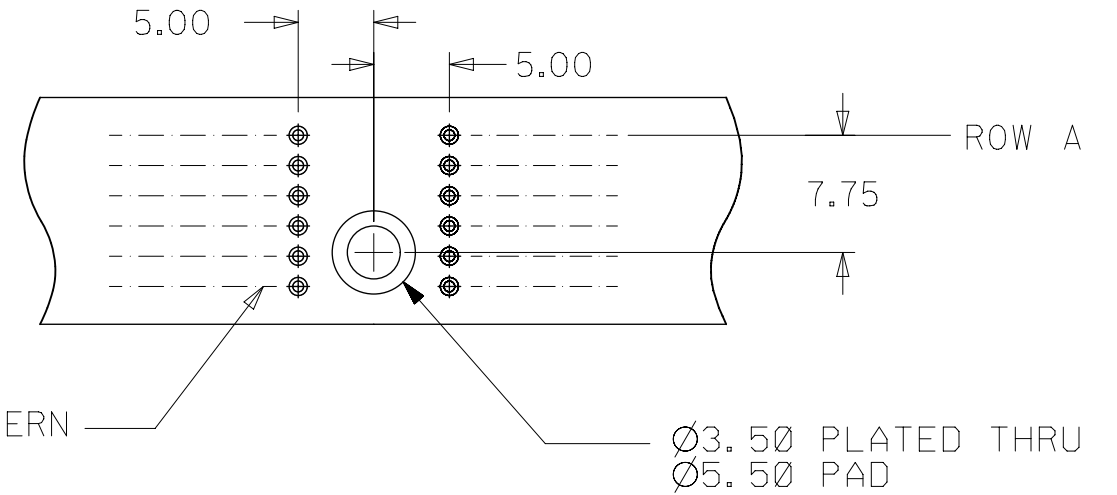


PART NUMBER	DESCRIPTION	SEMS SCREW	BOARD THICKNESS
73962-0000	STAND ALONE POST	NOT SUPPLIED	VARIOUS
73962-2000	KIT: POST w/ SCREW	73774-1015	2.50 - 5.25 mm



- NOTES:
1. MATERIAL: STAINLESS STEEL
 2. FINISH: PASSIVATE
 3. THIS PART CONFORMS TO MOLEX PRODUCT SPECIFICATION PS-73670-9999
 4. PARTS ARE BULK PACKED

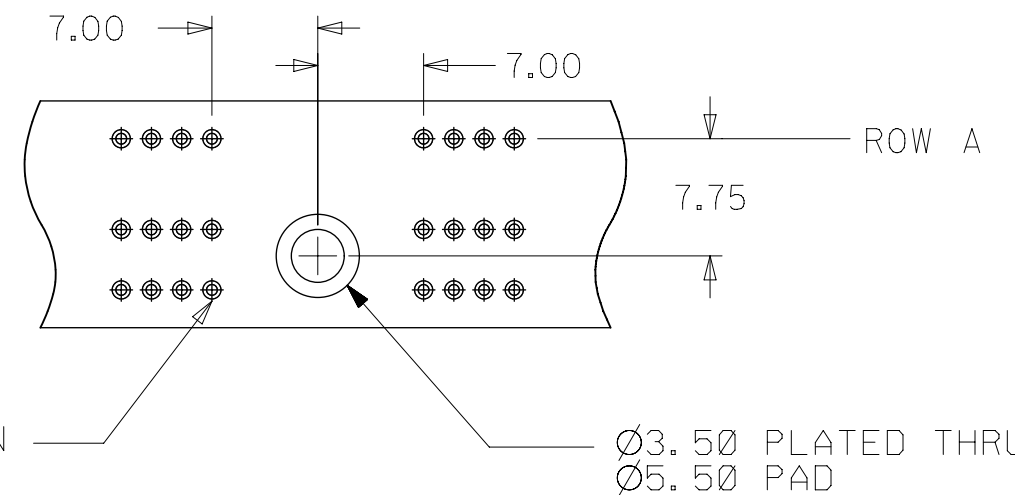
BACKPLANE SIGNAL HOLE PATTERN
SCALE 2:1



BACKPLANE SIGNAL PATTERN
2X

Ø3.50 PLATED THRU
Ø5.50 PAD

BACKPLANE POWER HOLE PATTERN
SCALE 2:1



BACKPLANE POWER PATTERN
2X

Ø3.50 PLATED THRU
Ø5.50 PAD

PRE-RELEASE
REFERENCE
USE ONLY

THIS DRAWING CONTAINS INFORMATION THAT IS PROPRIETARY TO MOLEX ELECTRONIC TECHNOLOGIES, LLC AND SHOULD NOT BE USED WITHOUT WRITTEN PERMISSION									
DIMENSION UNITS		SCALE		CURRENT REV DESC: REMOVED OBSOLETE PART NUMBER AS PER PCN#511698.					
mm		5:1		<p>molex</p> <p>HDM BACKPLANE MODULE GUIDE POST SALES ASSEMBLY</p> <p>PRODUCT CUSTOMER DRAWING</p> <p>DOCUMENT NUMBER: SD-73962-002 DOC TYPE: PSD DOC PART: 001 REVISION: G</p> <p>EC NO: 742551 DRWN: SANTHN 2023/03/30 CHK'D: GGA 2023/05/12 APPR: GGA 2023/05/12</p> <p>INITIAL REVISION: DRWN: J JONIAK 2005/09/29 APPR: J JONIAK 2005/09/29</p> <p>MATERIAL NUMBER: SEE CHART CUSTOMER: GENERAL MARKET SHEET NUMBER: 1 OF 1</p>					
GENERAL TOLERANCES (UNLESS SPECIFIED)									
	MM	INCH							
4 PLACES	±		±						
3 PLACES	±		±						
2 PLACES	±	0.13	±						
1 PLACE	±	0.25	±						
0 PLACES	±		±						
ANGULAR TOL ± 0.5°				THIRD ANGLE PROJECTION		DRAWING		SERIES	
DRAFT WHERE APPLICABLE MUST REMAIN WITHIN DIMENSIONS						B-SIZE		73962	