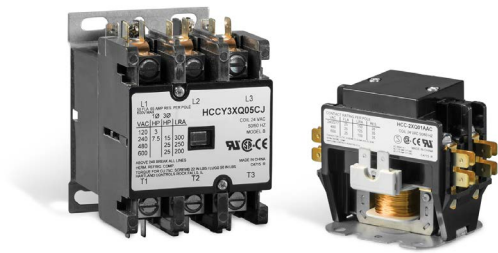


# Contactor HCC Series

600 V ac • 0 to 40 A • 1P, 2P & 3P



## Description

The HCC Series definite purpose contactors consists of 1 pole, 2 pole, and 3 pole contactors from 30 amperes to 40 amperes. Acting as an on/off switch controlled by thermostats, contactors are designed with consistent silver thickness for increased product life, making them ideal for the demands of a broad range of applications. The 1 and 2 pole models are typically used in residential applications, while the 3 pole contactors are typically used in commercial applications.

## Features & Benefits

FEATURES	BENEFITS
<b>Double E magnet assembly</b>	For optimal performance with reduced power use
<b>Movable contacts with heavy duty silver alloy</b>	To help extend the life of the product
<b>One piece terminal design meets NEMA standard</b>	Allowing spacing without insulated terminals
<b>Termination options include combo screw, screw with pressure plate, or lug</b>	To meet a broad range of system needs
<b>Universal mounting configuration</b>	Helps streamline installation
<b>Optional auxiliary switches available</b>	Designed for use with 3 pole contactors

## Applications

- HVAC/R
- Food & Beverage
- Lighting
- Welding
- Water/Wastewater

# Contactors

## HCC Series

### Specifications

<b>Initial Dielectric Strength</b>	Between Contacts & Coils: 2,200 V ac; Between Poles: 2,200 V ac (includes shunt); Between Open Contacts: 2,200 V ac (no shunt)
<b>Arc Cover</b>	1 and 2 Pole: Optional on 20–30 FLA; Standard on 40 FLA; 3 Pole: Standard
<b>Insulation System</b>	130 °C Class B
<b>Unit Weight</b>	1 Pole: 8.0 oz; 2 Pole: 9.6 oz; 3 Pole 20–40 FLA: 16 oz;
<b>Power Pole Terminations</b>	1, 2, 3 (20–40 FLA): #10–32 screw or box lug;
<b>Wire Size</b>	1, 2, 3 (20–40 FLA): #10–32 screw 16–8 (#8 must use ring terminal);
<b>Recommended Tightening Torque</b>	1, 2, 3 Pole (20–40 FLA): #10–32 screw: 22 in. - lbs; Box lug: 40 in. - lbs;
<b>Coil Terminal Connections</b>	1 and 2 Pole: Coil terminals: dual 0.250" quick connects; 3 Pole: dual 0.250" quick connects or #6–32 screw
<b>Power Terminal Connections</b>	0.250" quick connects
<b>Operating Temperature</b>	-40 °C to 65 °C; -40 °F to 150 °F
<b>Mounting Method</b>	Chassis Mount

### Certification & Compliance

<b>UL 508</b>	File No. E227250
<b>CSA</b>	File No. 221260 (1456104)
<b>Semko/CE</b>	File No. EN 60947-4-1:2001

Contact factory for higher amperage products

### Ordering Information

LITTELFUSE CATALOG NUMBER	CONTACTOR FORM PER CIRCUIT	FULL LOAD CURRENT INDUCTIVE	FULL LOAD CURRENT RESISTIVE	LOCKED ROTOR CURRENT	LOCKED ROTOR CURRENT	LOCKED ROTOR CURRENT	PULL IN VOLTAGE	NOMINAL COIL VOLTAGE	WEIGHT
CON-1/24/30	1 pole NO with shunt	30 A	40 A @ 600 V ac	180 A @ 240 V ac	150 A @ 480 V ac	120 A @ 600 V ac	18 V	24 V	0.52 Lb
CON-1/24/30L	1 pole NO with shunt	30 A	40 A @ 600 V ac	180 A @ 240 V ac	150 A @ 480 V ac	120 A @ 600 V ac	18 V	24 V	0.52 Lb
CON-1/24/40	1 pole NO with shunt	40 A	50 A @ 600 V ac	240 A @ 240 V ac	200 A @ 480 V ac	160 A @ 600 V ac	18 V	24 V	0.54 Lb
CON-1/120/30	1 pole NO with shunt	30 A	40 A @ 600 V ac	180 A @ 240 V ac	150 A @ 480 V ac	120 A @ 600 V ac	88 V	120 V	0.52 Lb
CON-1/120/30L	1 pole NO with shunt	30 A	40 A @ 600 V ac	180 A @ 240 V ac	150 A @ 480 V ac	120 A @ 600 V ac	88 V	120 V	0.52 Lb
CON-1/120/40	1 pole NO with shunt	40 A	50 A @ 600 V ac	240 A @ 240 V ac	200 A @ 480 V ac	160 A @ 600 V ac	88 V	120 V	0.54 Lb
CON-1/240/30	1 pole NO with shunt	30 A	40 A @ 600 V ac	180 A @ 240 V ac	150 A @ 480 V ac	120 A @ 600 V ac	177 V	208/240 V	0.52 Lb
CON-1/240/30L	1 pole NO with shunt	30 A	40 A @ 600 V ac	180 A @ 240 V ac	150 A @ 480 V ac	120 A @ 600 V ac	177 V	208/240 V	0.52 Lb
CON-1/240/40	1 pole NO with shunt	40 A	50 A @ 600 V ac	240 A @ 240 V ac	200 A @ 480 V ac	160 A @ 600 V ac	177 V	208/240 V	0.54 Lb
CON-2/24/30	2 pole NO	30 A	40 A @ 600 V ac	180 A @ 240 V ac	150 A @ 480 V ac	120 A @ 600 V ac	18 V	24 V	0.66 Lb

# Contactors

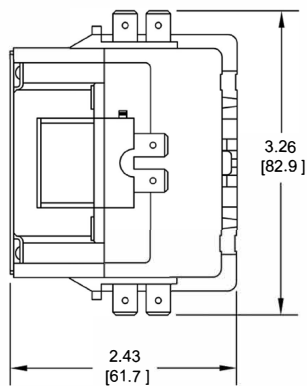
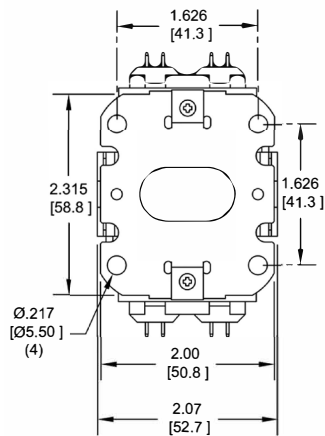
## HCC Series

### Ordering Information (cont.)

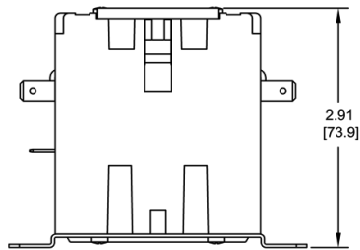
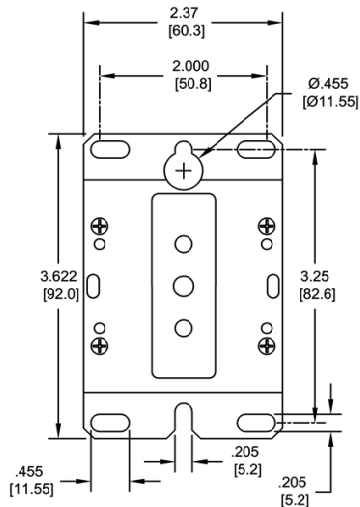
LITTELFUSE CATALOG NUMBER	CONTACTOR FORM PER CIRCUIT	FULL LOAD CURRENT INDUCTIVE	FULL LOAD CURRENT RESISTIVE	LOCKED ROTOR CURRENT	LOCKED ROTOR CURRENT	LOCKED ROTOR CURRENT	PULL IN VOLTAGE	NOMINAL COIL VOLTAGE	WEIGHT
CON-2/24/30L	2 pole NO	30 A	40 A @ 600 V ac	180 A @ 240 V ac	150 A @ 480 V ac	120 A @ 600 V ac	18 V	24 V	0.52 Lb
CON-2/24/40	2 pole NO	40 A	50 A @ 600 V ac	240 A @ 240 V ac	200 A @ 480 V ac	160 A @ 600 V ac	18 V	24 V	0.68 Lb
CON-2/120/30	2 pole NO	30 A	40 A @ 600 V ac	180 A @ 240 V ac	150 A @ 480 V ac	120 A @ 600 V ac	88 V	120 V	0.66 Lb
CON-2/120/30L	2 pole NO	30 A	40 A @ 600 V ac	180 A @ 240 V ac	150 A @ 480 V ac	120 A @ 600 V ac	88 V	120 V	0.52 Lb
CON-2/120/40	2 pole NO	40 A	50 A @ 600 V ac	240 A @ 240 V ac	200 A @ 480 V ac	160 A @ 600 V ac	88 V	120 V	0.68 Lb
CON-2/240/30	2 pole NO	30 A	40 A @ 600 V ac	180 A @ 240 V ac	150 A @ 480 V ac	120 A @ 600 V ac	177 V	208/240 V	0.66 Lb
CON-2/240/30L	2 pole NO	30 A	40 A @ 600 V ac	180 A @ 240 V ac	150 A @ 480 V ac	120 A @ 600 V ac	177 V	208/240 V	0.52 Lb
CON-2/240/40	2 pole NO	40 A	50 A @ 600 V ac	240 A @ 240 V ac	200 A @ 480 V ac	160 A @ 600 V ac	177 V	208/240 V	0.68 Lb
CON-3/480/40	3 pole NO	40 A	50 A @ 600 V ac	240 A @ 240 V ac	200 A @ 480 V ac	160 A @ 600 V ac	384 V	480 V	1.08 Lb
CON-3/24/30L	3 pole NO	30 A	40 A @ 600 V ac	180 A @ 240 V ac	150 A @ 480 V ac	120 A @ 600 V ac	18 V	24 V	1.04 Lb
CON-3/24/30	3 pole NO	30 A	40 A @ 600 V ac	180 A @ 240 V ac	150 A @ 480 V ac	120 A @ 600 V ac	18 V	24 V	1.04 Lb
CON-3/24/40	3 pole NO	40 A	50 A @ 600 V ac	240 A @ 240 V ac	200 A @ 480 V ac	160 A @ 600 V ac	18 V	24 V	1.08 Lb
CON-3/120/30L	3 pole NO	30 A	40 A @ 600 V ac	180 A @ 240 V ac	150 A @ 480 V ac	120 A @ 600 V ac	88 V	120 V	1.04 Lb
CON-3/120/30	3 pole NO	30 A	40 A @ 600 V ac	180 A @ 240 V ac	150 A @ 480 V ac	120 A @ 600 V ac	88 V	120 V	1.04 Lb
CON-3/120/40	3 pole NO	40 A	50 A @ 600 V ac	240 A @ 240 V ac	200 A @ 480 V ac	160 A @ 600 V ac	88 V	120 V	1.08 Lb
CON-3/240/30L	3 pole NO	30 A	40 A @ 600 V ac	180 A @ 240 V ac	150 A @ 480 V ac	120 A @ 600 V ac	18 V	208/240 V	1.04 Lb
CON-3/240/30	3 pole NO	30 A	40 A @ 600 V ac	180 A @ 240 V ac	150 A @ 480 V ac	120 A @ 600 V ac	177 V	208/240 V	1.04 Lb
CON-3/240/40	3 pole NO	40 A	50 A @ 600 V ac	240 A @ 240 V ac	200 A @ 480 V ac	160 A @ 600 V ac	177 V	208/240 V	1.08 Lb

# Contactor HCC Series

## Dimensions inches (mm)



1 & 2 Pole Contactor 20–40 FLA



3 Pole Contactor 20–40 FLA

**Disclaimer Notice** – Information furnished is believed to be accurate and reliable. However, users should independently evaluate the suitability of and test each product selected for their own applications. Littelfuse products are not designed for, and may not be used in, all applications. Read complete Disclaimer Notice at [www.littelfuse.com/product-disclaimer](http://www.littelfuse.com/product-disclaimer).