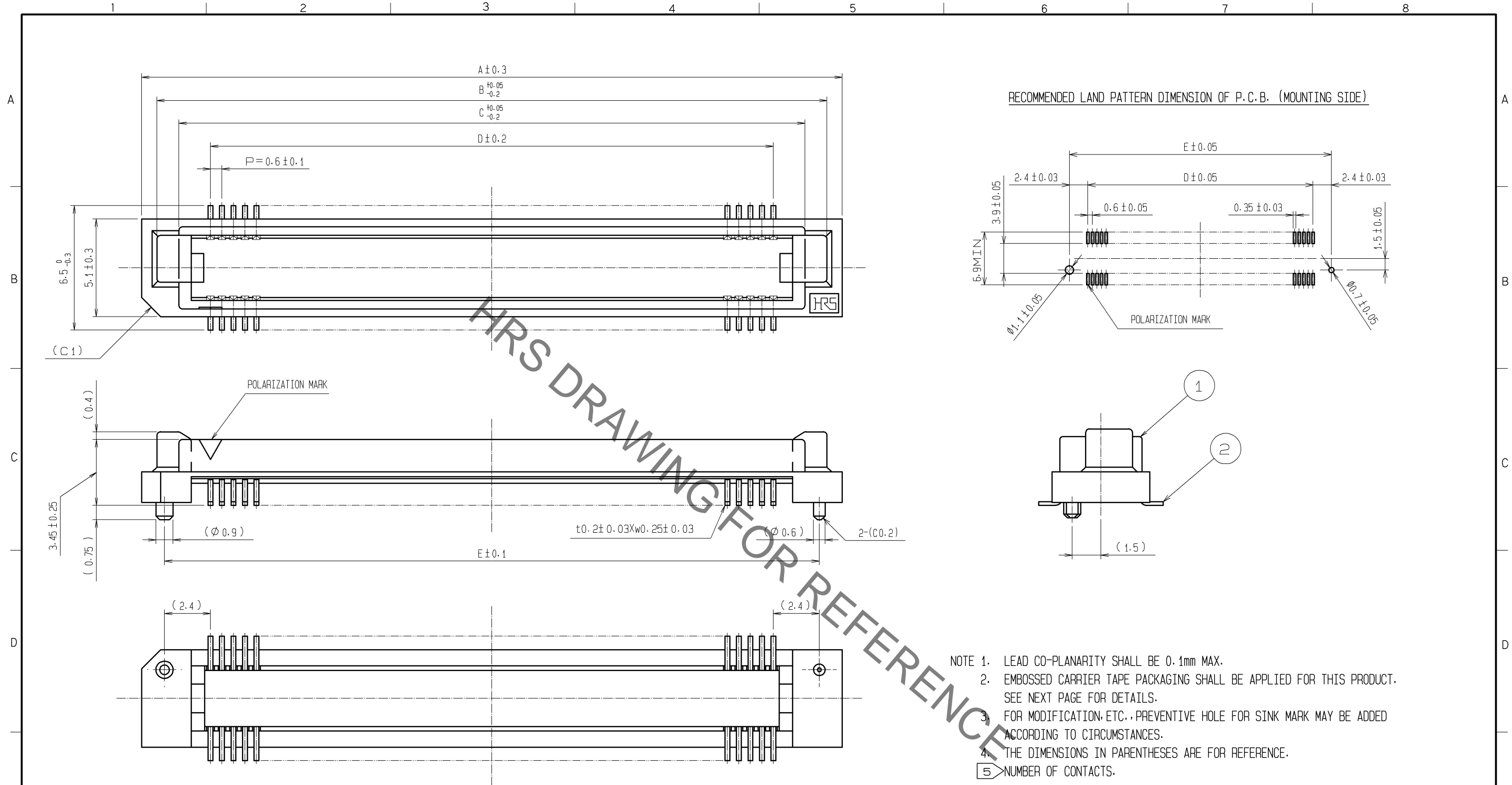


May.1.2023 Copyright 2023 HIROSE ELECTRIC CO., LTD. All Rights Reserved.
In case of consideration for using Automotive equipment / device which demand high reliability, kindly contact our sales window correspondents.



- NOTE 1. LEAD CO-PLANARITY SHALL BE 0.1mm MAX.
 2. EMBOSSED CARRIER TAPE PACKAGING SHALL BE APPLIED FOR THIS PRODUCT. SEE NEXT PAGE FOR DETAILS.
 3. FOR MODIFICATION, ETC., PREVENTIVE HOLE FOR SINK MARK MAY BE ADDED ACCORDING TO CIRCUMSTANCES.
 4. THE DIMENSIONS IN PARENTHESES ARE FOR REFERENCE.
 5. NUMBER OF CONTACTS.

DIMENSION TABLE OF CONNECTOR AND P.C.B. LAND PATTERN.

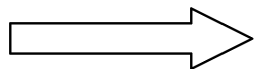
PART No.	CODE No.	5	A	B	C	D	E
FX8- 60P-SV1(92)	CL578-0041-0-92	60	24.6	23	20.7	17.4	22.2
FX8- 80P-SV1(92)	CL578-0043-6-92	80	30.6	29	26.7	23.4	28.2
FX8- 90P-SV1(92)	CL578-0044-9-92	90	33.6	32	29.7	26.4	31.2
FX8-100P-SV1(92)	CL578-0045-1-92	100	36.6	35	32.7	29.4	34.2
FX8-120P-SV1(92)	CL578-0046-4-92	120	42.6	41	38.7	35.4	40.2
FX8-140P-SV1(92)	CL578-0047-7-92	140	48.6	47	44.7	41.4	46.2

4	POLYESTER	(TOP COVER TAPE)	2	PHOSPHOR BRONZE	CONTACT AREA:GOLD 0.1μm min.				
3	POLYSTYRENE	(EMBOSSD CARRIER TAPE)			LEAD AREA:TIN-PLATING 1μm min.				
1	PPS	LIGHT BROWN(UL94V-0)			UNDER PLATING:NICKEL1μm min.				
NO.	MATERIAL	FINISH . REMARKS	NO.	MATERIAL	FINISH . REMARKS				
UNITS	mm	SCALE	FREE	COUNT	2	DESCRIPTION OF REVISIONS	DESIGNED	CHECKED	DATE
						DIS-F-006743	CR. TAKESHIMA	HT. YAMAGUCHI	13.04.16
APPROVED :KJ. KATAYOSE		05.01.05		DRAWING NO.		EDC3-150727-22			
CHECKED :HS. OKAWA		05.01.05		PART NO.		FX8-*P-SV1(92)			
DESIGNED :KT. DOI		05.01.05		CODE NO.					
DRAWN :KT. DOI		05.01.05							

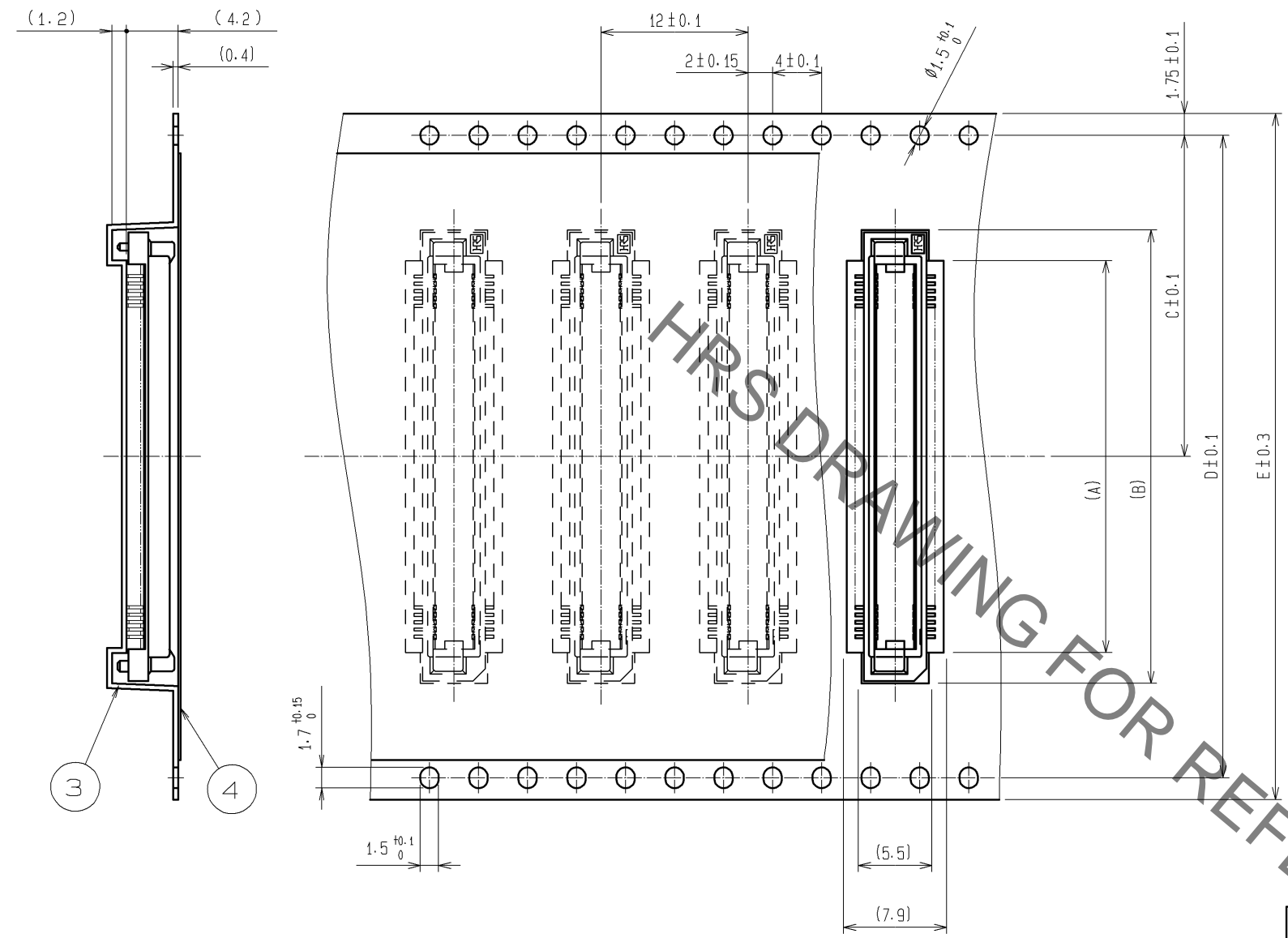
May.1.2023 Copyright 2023 HIROSE ELECTRIC CO., LTD. All Rights Reserved.
 In case of consideration for using Automotive equipment / device which demand high reliability, kindly contact our sales window correspondents.

DRAWING FOR PACKING(FREE)

UNREELING DIRECTION



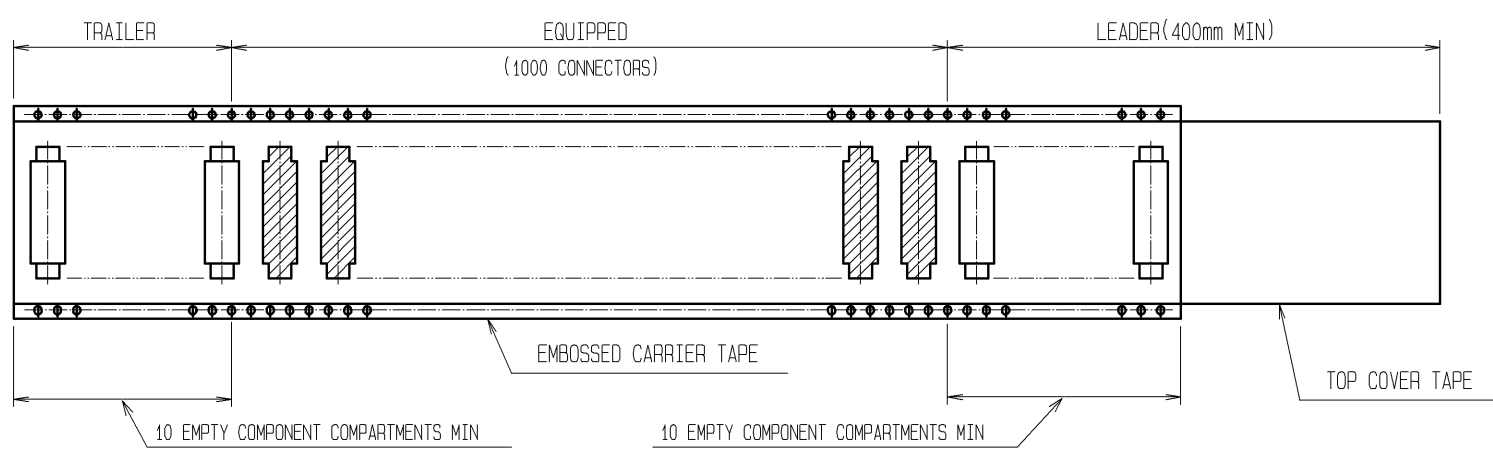
REEL DIMENSION



△ DIMENSION TABLE OF EMBOSSED CARRIER TAPE AND REEL.

PART No.	CODE No.	△	A	B	C	D	E	F	G
FX8- 60P-SV1(92)	CL578-0041-0-92	60	20	25	20.2	40.4	44	44.4	$\phi 330$
FX8- 80P-SV1(92)	CL578-0043-6-92	80	25	31	20.2	40.4	44	44.4	$\phi 330$
FX8- 90P-SV1(92)	CL578-0044-9-92	90	29	34	20.2	40.4	44	44.4	$\phi 330$
FX8-100P-SV1(92)	CL578-0045-1-92	100	32	37	26.2	52.4	56	56.4	$\phi 360$
FX8-120P-SV1(92)	CL578-0046-4-92	120	38	43	26.2	52.4	56	56.4	$\phi 360$
FX8-140P-SV1(92)	CL578-0047-7-92	140	44	49	34.2	68.4	72	72.4	$\phi 360$

- NOTE 1 1 REEL : 1000 CONNECTORS
 △ NUMBER OF CONTACTS
 3 THE DIMENSIONS IN PARENTHESES ARE FOR REFERENCE.



HRS	DRAWING NO.	EDC3-150727-22
	PART NO.	FX8- * P - SV1(92)
	CODE NO.	△ 2/2