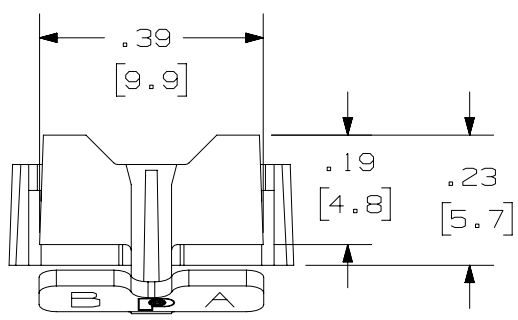
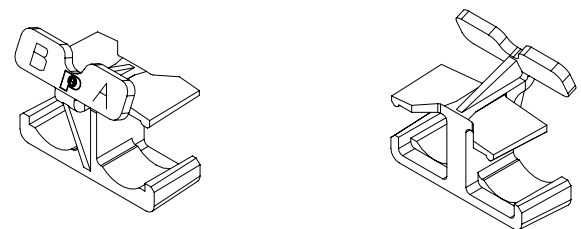
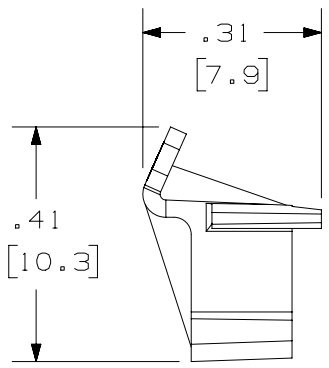
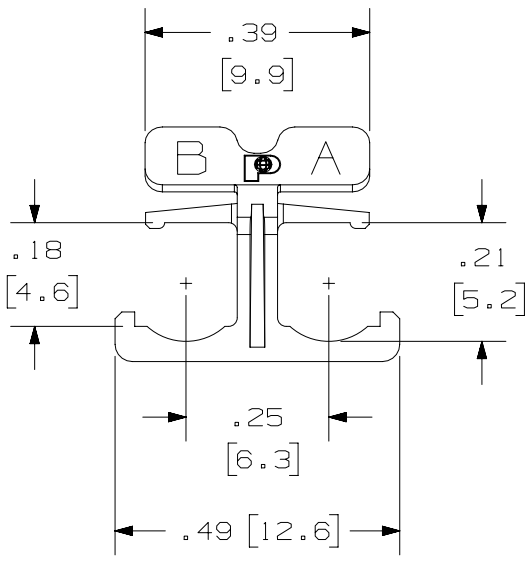


THIS COPY IS PROVIDED ON A RESTRICTED BASIS AND IS NOT TO BE USED IN ANY WAY DETRIMENTAL TO THE INTERESTS OF PANDUIT CORP.



PANDUIT PART NUMBER	WEIGHT
FLCCLIPBL-L	.022 lb/50 Pcs [9.81 g/50 Pcs.]

- NOTES:
1. SEE CURRENT CATALOG FOR ADDITIONAL PART NUMBER SUFFIXES TO INDICATE COLOR AND OR PACKAGE QUANTITY.
 2. SEE CATALOG FOR COMPLETE LIST OF PARTS APPLICABLE FOR USE WITH THIS PART.
 3. MATERIAL: PLASTIC
 4. DIMENSIONS IN BRACKETS ARE METRIC [mm].



PART NUMBER		FLCCLIPBL-L	
TITLE			
OPTICAM LC DUPLEX CLIP			
CUSTOMER DRAWING			
ITEM REVISION NAME		M01801DP/00	
DATASET FILE NAME		M01801DP_DC/00B	
UNLESS OTHERWISE SPECIFIED, DIMENSIONAL TOLERANCES ARE: IN [mm]		MATERIAL:	
.X ±		.XXX ±	
.XX ±		ANGLES ±	
DRAWING NUMBER:		01801-35	
THIRD ANGLE PROJECTION	DRAWN BY: MC		
	DATE: 6-27-06	CHK: GLK	SCALE: NONE
	SHT 1 OF 1		SIZE: A

REV	DATE	BY	CHK	APR	DESCRIPTION	ECN
1	6/17/15	JSP	WJM	RWB	A. REVISED DRAWING TITLE BLOCK.	01801-35

D101000DA/14