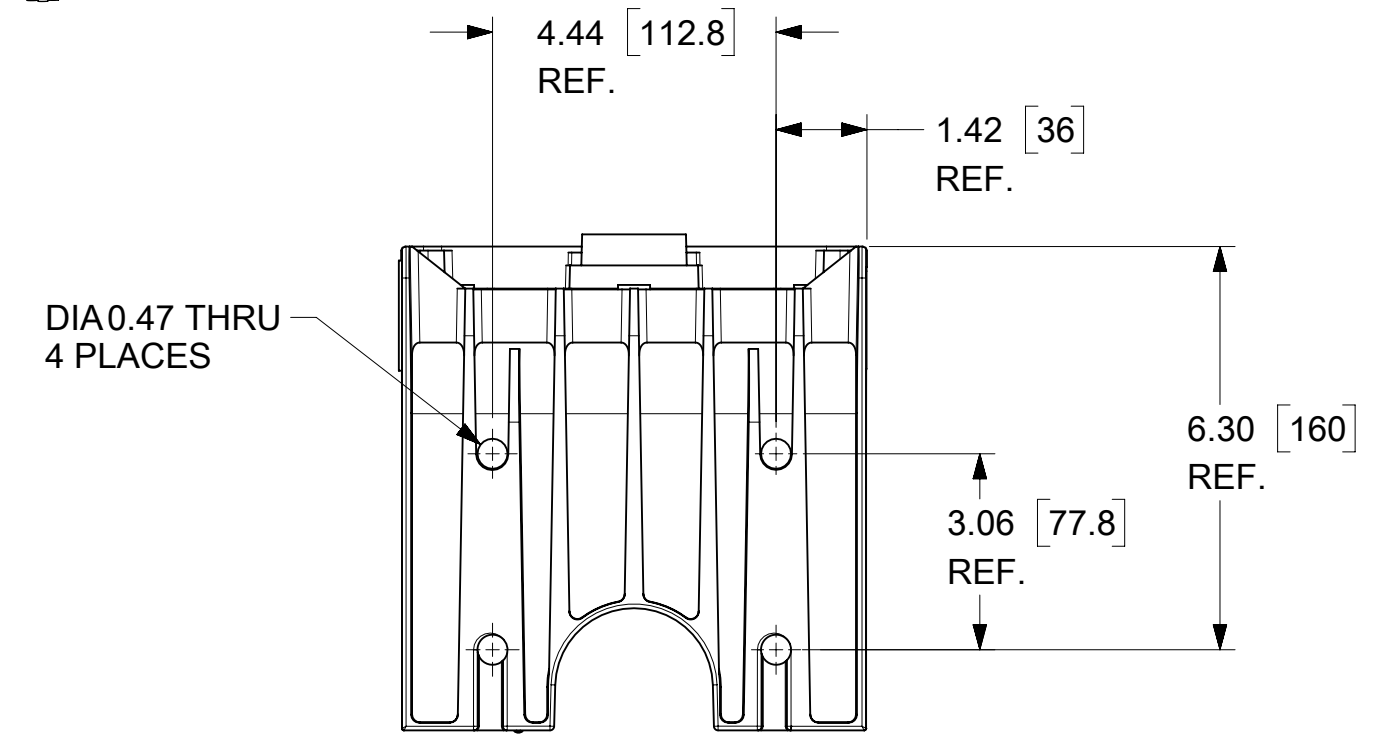
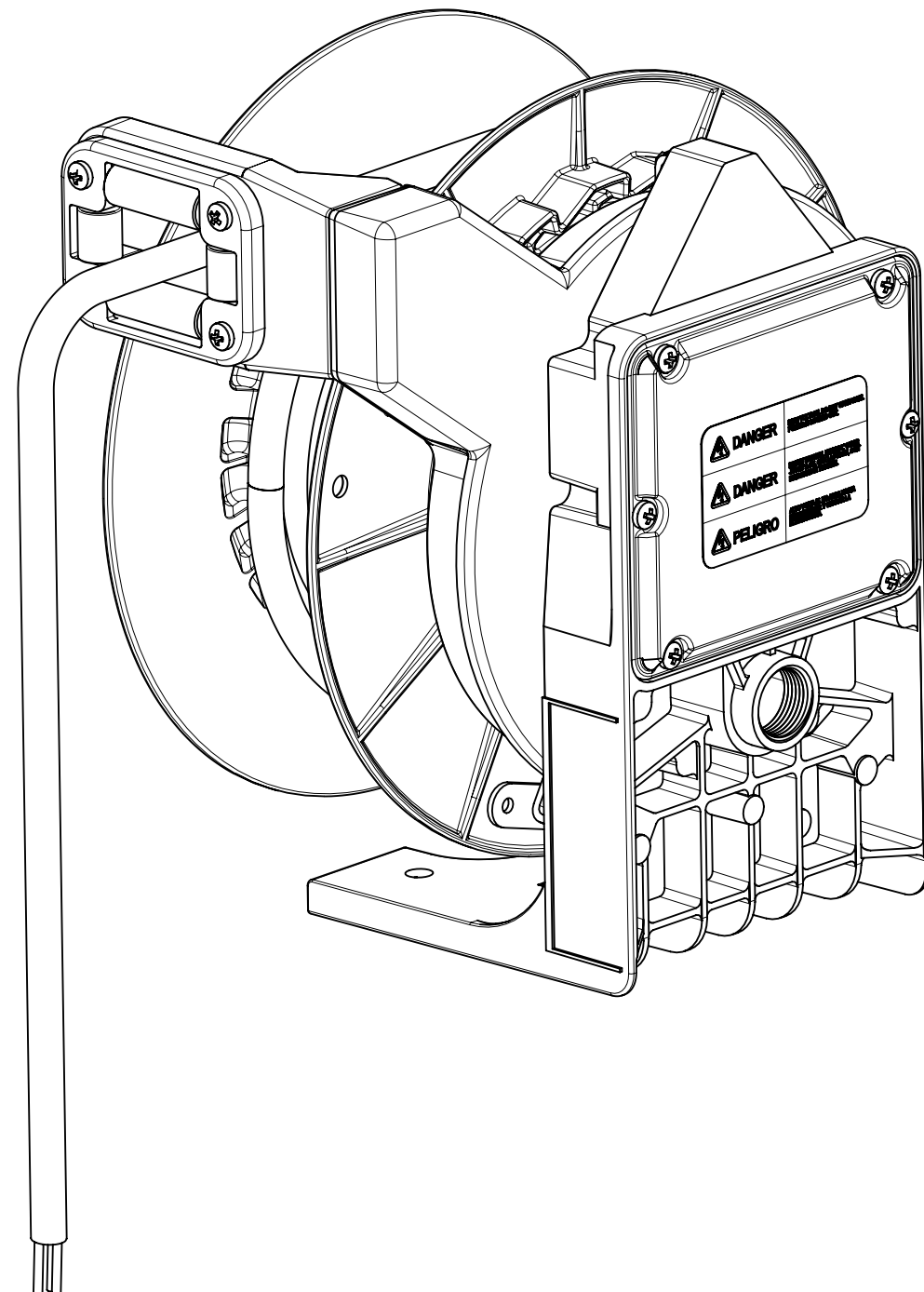
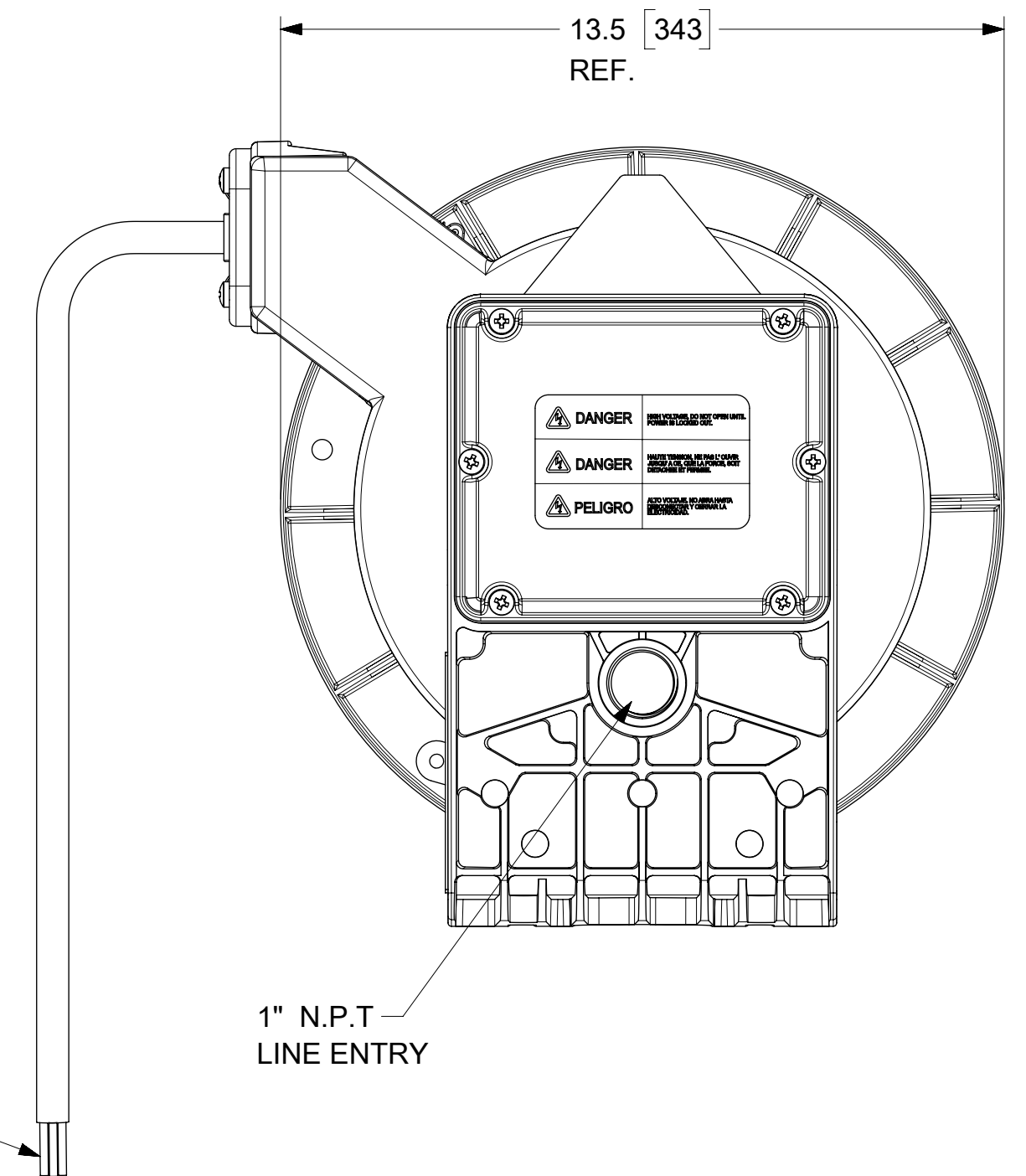
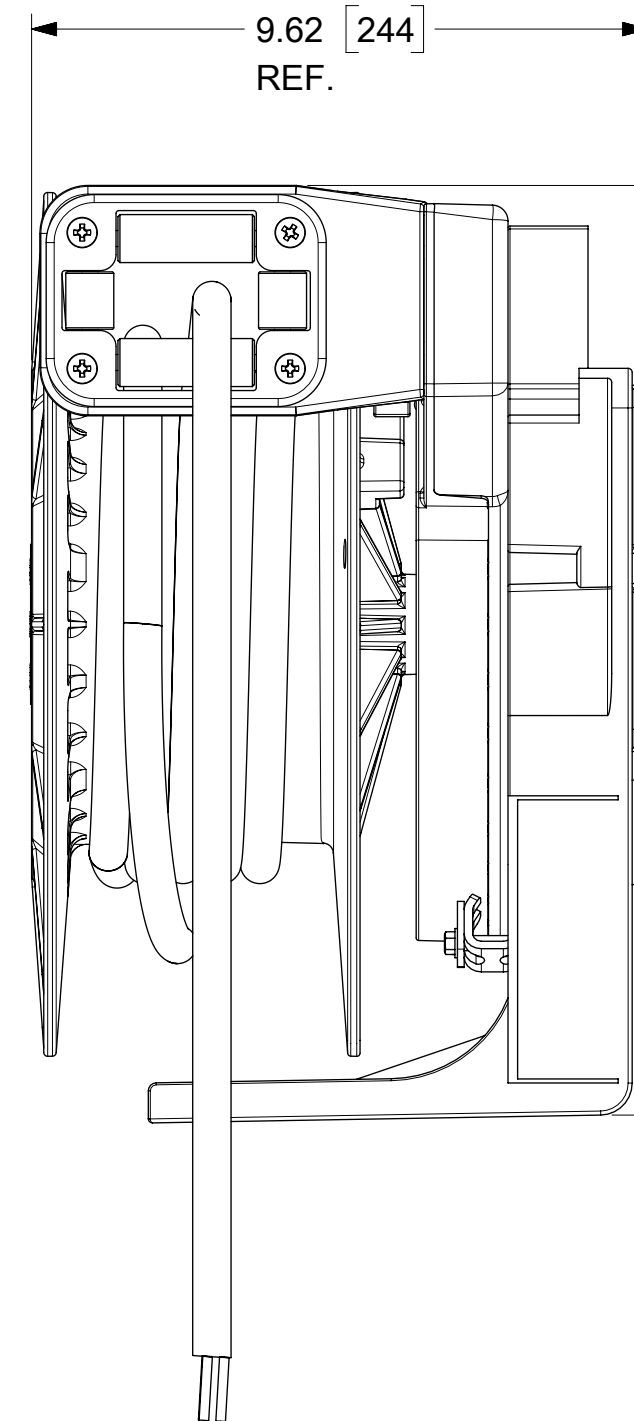


ORDER NO	130083-0224
WOODHEAD ENG. NO	9224
WIRE GAUGE	16
CONDUCTORS	3
AMPERAGE	9A
WORKING CORD	30 FT. YELLOW
CORD TYPE	SOOW
CONSTRUCTION	HEAVY WALL CAST ALUMINUM
PAINT	YELLOW POWDER COAT
REEL ENCLOSURE RATING	NEMA 4 INDOOR / OUTDOOR
RETRACTION WEIGHT	4.0 LB [1.8 KG]



**BOTTOM VIEW**

- NOTES:**
1. CABLE GUIDE IS ADJUSTABLE EVERY 5 DEGREES OVER 270 DEGREE ARC.
  2. RATCHET LOCK IS EASY TO DISENGAGE FOR CONSTANT TENSION.
  3. REEL CANNOT BE "LOCKED OUT" AT FULL EXTENSION.
  4. CABLE STOP IS OPTIONAL: ORDER No. 130226-4374 / WOODHEAD ENG. No. 9521

FUNCTIONAL SYMBOLS	THIS DRAWING CONTAINS INFORMATION THAT IS PROPRIETARY TO MOLEX ELECTRONIC TECHNOLOGIES, LLC AND SHOULD NOT BE USED WITHOUT WRITTEN PERMISSION		
	DIMENSION UNITS	SCALE	CURRENT REV DESC: RELEASE CUSTOMER DRAWING
$F_A = 0$	INCH/MM	NTS	<p><b>molex</b></p> <p>CABLE REEL - INDUSTRIAL DUTY 30' #16-3 SOOW</p> <p>PRODUCT CUSTOMER DRAWING</p> <p>DOCUMENT NUMBER: <b>1300830224</b>    DOC TYPE: PSD    DOC PART: 000    REVISION: <b>A</b></p> <p>SERIES: 130083    MATERIAL NUMBER: SEE TABLE    CUSTOMER: GENERAL MARKET    SHEET NUMBER: 1 OF 1</p>
$F_C = 0$	GENERAL TOLERANCES (UNLESS SPECIFIED)		
$F_D = 0$			
DIVISIONAL SYMBOLS	MM	INCH	
	4 PLACES ±	±	
	3 PLACES ±	± 0.005	
	2 PLACES ±	± 0.01	
	1 PLACE ±	± 0.02	
	0 PLACES ±	±	
	ANGULAR TOL	± 0.5°	
	DRAFT WHERE APPLICABLE MUST REMAIN WITHIN DIMENSIONS		<p>EC NO: 673889</p> <p>DRWN: VHANDI    2020/07/16</p> <p>CHK'D: DSOPPIN    2022/05/09</p> <p>APPR: HKNEELAND    2022/05/13</p> <p>INITIAL REVISION:</p> <p>DRWN: VHANDI    2020/07/16</p> <p>APPR: HKNEELAND    2022/05/13</p>
	THIRD ANGLE PROJECTION	DRAWING	
		C-SIZE	