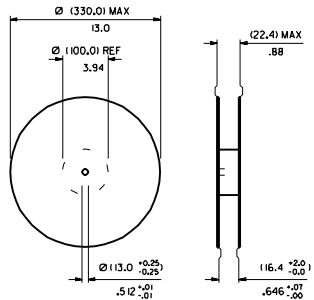


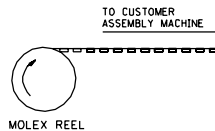
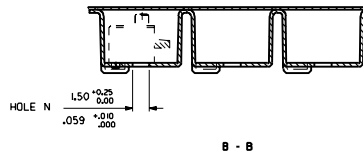
DIRECTION OF UNREELING →

REFERENCE ONLY



REEL DIMENSIONS  
DO NOT SCALE

(1400) PIECES PER REEL  
(7) REELS PER CARDBOARD BOX (PCTN-38)  
(9800) PIECES PER CARDBOARD BOX



NOTES:

- 1) MATERIAL : CARRIER TAPE : VOLUME CONDUCTIVE POLYCARBONATE (0.33) .013 REF THICK , BLACK  
COVER TAPE : COLD SEAL POLYESTER (0.06) .002 REF THICK , TRANSPARENT
- 2) PITCH TOLERANCE OVER ANY 10 PITCHES : (0.2) .008
- 3) PEEL FORCE OF THE COVER TAPE IS 0.1N TO 1.0N  
AT A MAXIMUM PEEL SPEED OF (300) (1.8) / min ±10%
- 4) PACKAGING SPEC. TBA
- 5) REFERENCE TO IEC 286-3

FOR PREVIOUS DRAWING ISSUES SEE MRL.	VARIOUS MARKS	DATE	REVISE ONLY ON CAD SYSTEM		SHA. PREL.							
	CON. ENGR.	DAB	DATE	THIS DRAWING CONTAINS INFORMATION THAT IS PROPRIETARY TO MOLEX INC. & SHOULD NOT BE USED WITHOUT WRITTEN PERMISSION.								
	DESIGNED BY	DAB	FILE	BLISTER PACKING FOR 90868-0001								
	APPROVED BY		SCALE	MOLEX EUROPE								
1	SCALE	5:1	PART NO.	90868-0001	DATE	10/1 94/11/16	SHEET NO.	10/1	DATE	94/11/16	TOP	D