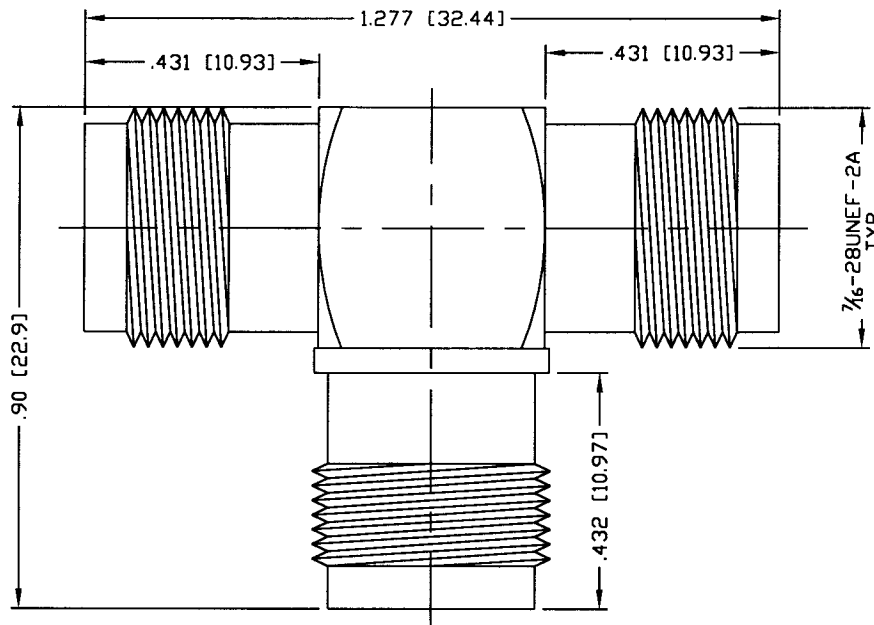


THIS DRAWING CONTAINS INFORMATION PROPRIETARY TO RF INDUSTRIES.
 ANY UNAUTHORIZED USE OF THIS DRAWING IS EXPRESSLY PROHIBITED
 WITHOUT WRITTEN PERMISSION FROM RF INDUSTRIES.
 ANY VIOLATION IS PUNISHABLE UNDER U.S. COPYRIGHT LAWS.

ALL DIMENSIONS ARE REFERENCE ONLY

| | | | | |
|----------|---------------------|-----------------|---------|----------|
| PART NO. | | RFT-1229 | | |
| REV | DESCRIPTION | DWN | DATE | APPROVED |
| - | ENGINEERING RELEASE | CZS | 11/7/03 | JDMc |
| | | | | |
| | | | | |



SPECIFICATIONS:

IMPEDANCE: 50 Ohms
 FREQUENCY RANGE: 0-7 GHz
 WORKING VOLTAGE: 500 V rms @ sea level
 INSULATION RESISTANCE: 5k M ohms min.
 TEMPERATURE RANGE: -65°C TO +165°C

| | | | | |
|----|--------------|-----|----------|---------------|
| 1 | BODY | 1 | BRASS | NICKEL, 100μ" |
| 2 | PRESS BODY | 1 | BRASS | NICKEL, 100μ" |
| 3 | CONTACT | 1 | BRASS | GOLD, 3μ" |
| 4 | CONTACT | 1 | BRASS | GOLD, 3μ" |
| 5 | INSULATOR | 3 | PTFE | --- |
| 6 | PRESS WASHER | 2 | BRASS | NICKEL, 100μ" |
| 7 | | | | |
| 8 | | | | |
| 9 | | | | |
| 10 | | | | |
| 11 | | | | |
| 12 | | | | |
| 13 | | | | |
| 14 | | | | |
| # | DESCRIPTION | QTY | MATERIAL | FINISH |

| | |
|---|-----------------------------|
| 000000 | UNLESS OTHERWISE SPECIFIED: |
| DRAWN C. ZUNIGA | 11/7/03 |
| CHECKED <i>[Signature]</i> | 11-7-03 |
| ORJ DRAWN C. ZUNIGA | 11/7/03 |
| DECIMALS | DIAMETER |
| DIMENSIONS ARE IN INCHES AND [MILLIMETERS] UNLESS OTHERWISE NOTED TOLERANCES ARE: | |

RFconnectors
 DIVISION OF RF INDUSTRIES, LTD.
 7610 MIRAMAR RD
 SAN DIEGO, CA 92126
 (858) 549-6340
 (858) 549-6345 FAX

TNC TRIPLE JACK

"T" ADAPTER

| | | | |
|------------|--------------------|---------------------|--------------|
| SIZE A | CABLE GROUP N/A | DWG NO. RFT-1229 | REV - |
| SCALE: NTS | | CAD FILE OUTLINE | SHEET 1 OF 1 |