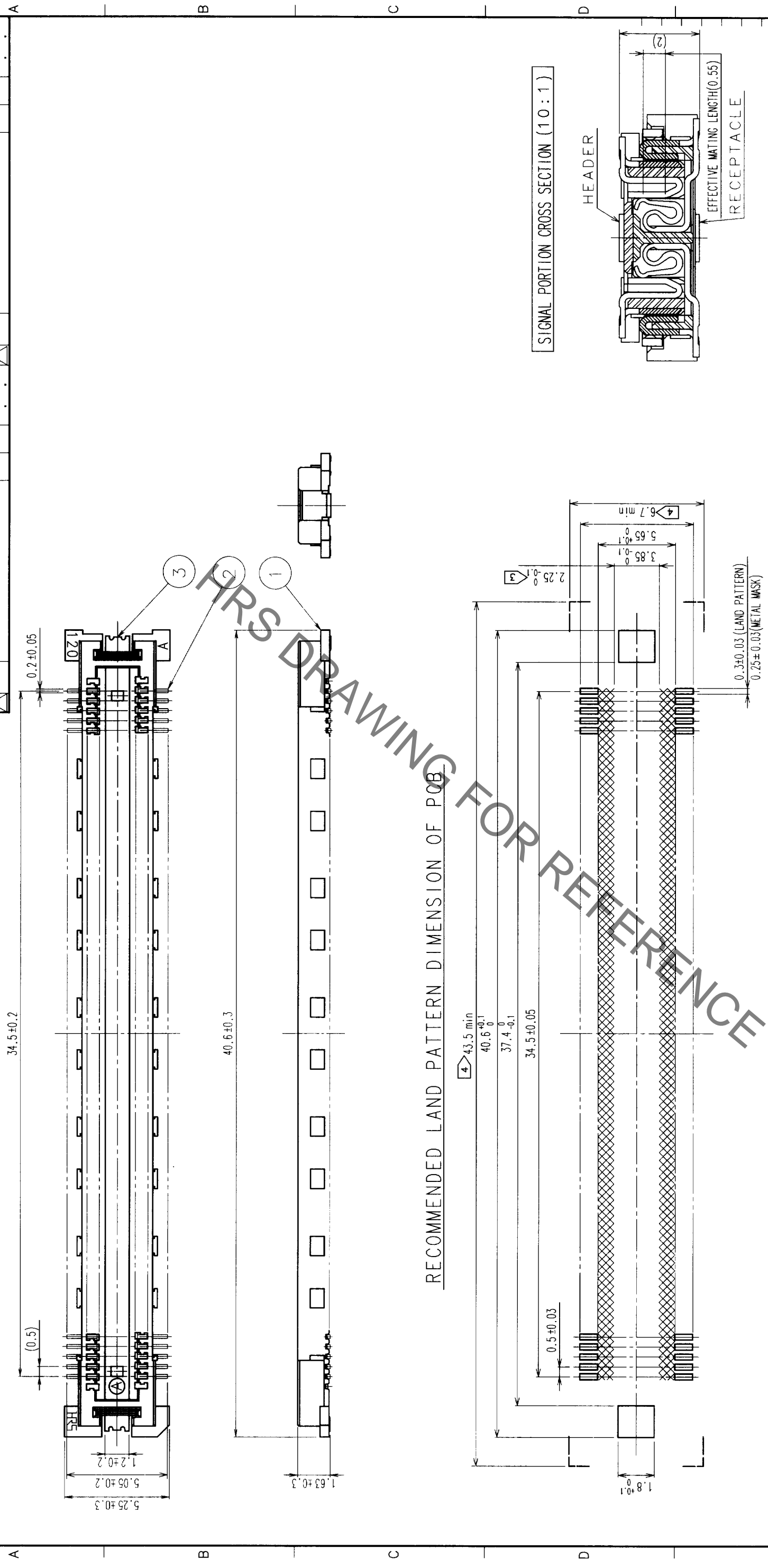


| COUNT | DESCRIPTION OF REVISIONS | BY | CHKD | DATE | COUNT | DESCRIPTION OF REVISIONS | BY | CHKD | DATE |
|-------|--------------------------|----|------|------|-------|--------------------------|----|------|------|
| △ | | | | | △ | | | | |
| △ | | | | | △ | | | | |
| △ | | | | | △ | | | | |



RECOMMENDED LAND PATTERN DIMENSION OF PCB

| | | |
|----------------|-----------------|--|
| 2 | COPPER ALLOY | CONTACT AREA: GOLD (0.1µm) OVER NICKEL |
| 1 | LCP | LEAD: GOLD FLASH OVER NICKEL |
| NO. | MATERIAL | BEIGE UL94V-0 |
| CODE NO. (OLD) | FINISH, REMARKS | 3 |
| CL | | PHOSPHOR BRONZE |
| | | TIN PLATED |
| | | MATERIAL |
| | | DESIGNED |
| | | CHECKED |
| | | APPROVED |
| | | RELEASED |

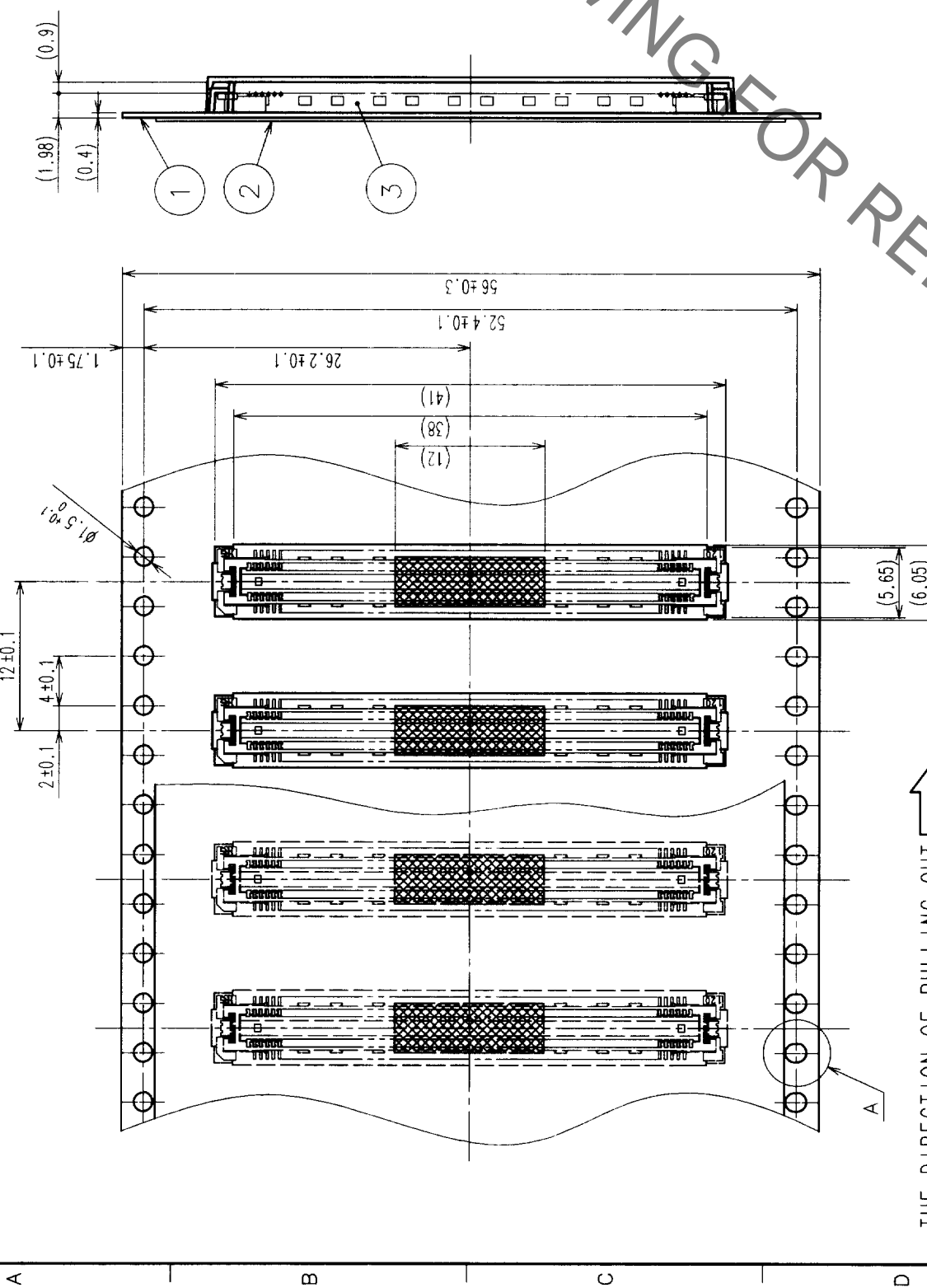
- NOTES
- SMT LEAD-COPLANARITY: 0.1 MAX.
 - THIS PRODUCT HAS NO POLARITY TO PATTERN FOR MOUNTING.
 - MAKE SURE WIDTH OF PATTERN IS WITHIN THAT OF LAND, OR LEAD MAY TOUCH PATTERN. (THIS APPLIES TO HATCHED AREA.)
 - DO NOT MOUNT OTHER DEVICES ONTO [] AREA, OR MATING PAIR CANNOT BE MATED.
 - TO BE EMBOSSED CARRIER TAPED AS SPECIFIED IN SHEET 2.

| | |
|-----|--|
| TO | |
| PCK | |

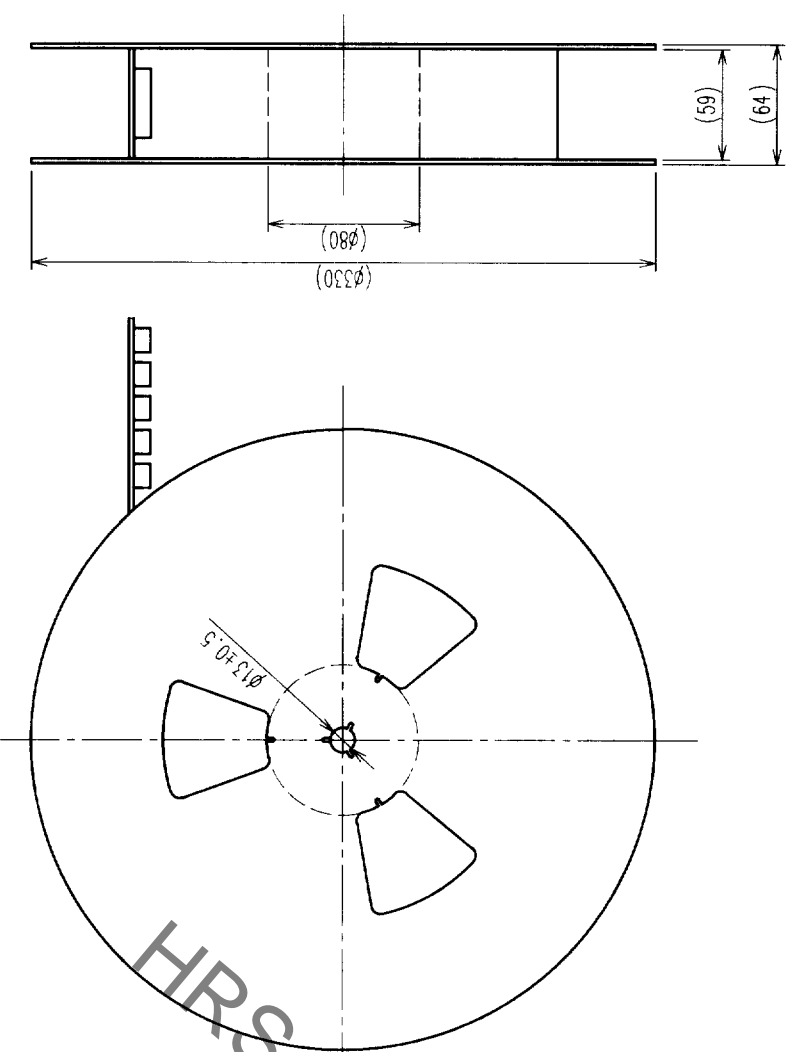
| | | | |
|-------------|----------------|----------|---------------------|
| DRAWING NO. | EDC3-152107-02 | PART NO. | FX11LB-140P-SV (22) |
| SCALE | 5 : 1 | CODE NO. | CL573-0055-3-22 |
| UNITS | mm | | |

| | | | | | | | |
|---|---|---|---|---|---|---|---|
| 1 | 2 | 3 | 4 | 5 | 6 | 7 | 8 |
|---|---|---|---|---|---|---|---|

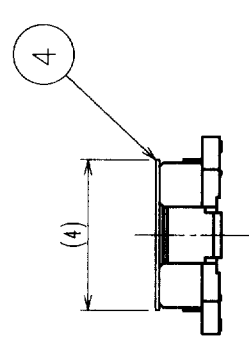
| COUNT | DESCRIPTION OF REVISIONS | BY | CHKD | DATE | COUNT | DESCRIPTION OF REVISIONS | BY | CHKD | DATE |
|-------|--------------------------|----|------|------|-------|--------------------------|----|------|------|
| △ | | | | | △ | | | | |
| △ | | | | | △ | | | | |
| △ | | | | | △ | | | | |



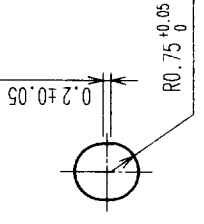
REELED DIMENSION (Free)



DETAIL FOR VACUUM PICKUP (5:1)



A (5:1)



- NOTES 1 REEL: 1000 CONNECTORS.
- 2 MINIMUM 10 COMPARTMENTS FROM BOTH REEL ENDS REMAIN EMPTY.
- 3 THIS PRODUCT HAS NO POLARITY TO TAPE AND REEL PACKAGING.

| 2 | PET | TOP COVER TAPE | 4 | POLYIMIDE | (TAPE FOR VACUUM PICKUP) |
|----------------------|----------|---|-----|---------------------|--------------------------|
| 1 | PS | EMBOSSED CARRIER TAPE <td>3</td> <td>(CONNECTOR)</td> <td></td> | 3 | (CONNECTOR) | |
| NO. | MATERIAL | FINISH, REMARKS | NO. | MATERIAL | FINISH, REMARKS |
| CODE NO. (OLD) CL | | | | | |
| DRAWING FOR PACKING | | | | | |
| DRAWN | | DESIGNED | | CHECKED | APPROVED |
| Mitsuhisa Matsubara | | Mitsuhisa Matsubara | | Mitsuhisa Matsubara | Mitsuhisa Matsubara |
| 199.10.27 | | 199.10.27 | | 199.10.28 | 199.10.28 |
| SCALE | | DRAWING NO. | | PART NO. | |
| 2 : 1 | | EDC3-152107-02 | | FX11LB-140P-SV(22) | |
| UNITS | | CODE NO. | | CODE NO. | |
| MM | | HRS HIROSE ELECTRIC CO., LTD | | CL573-0055-3-22 | |

| | |
|-----|--|
| TO | |
| PCK | |