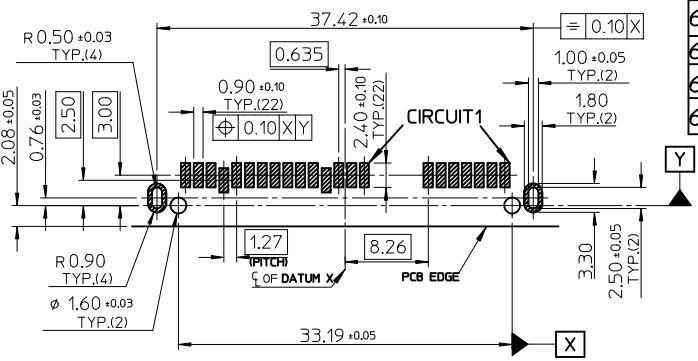
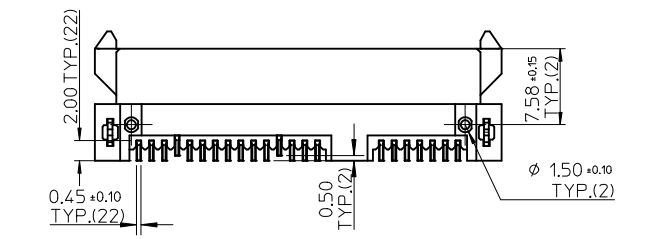
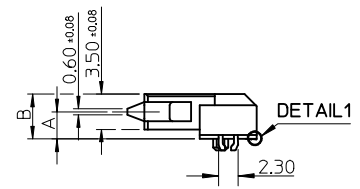
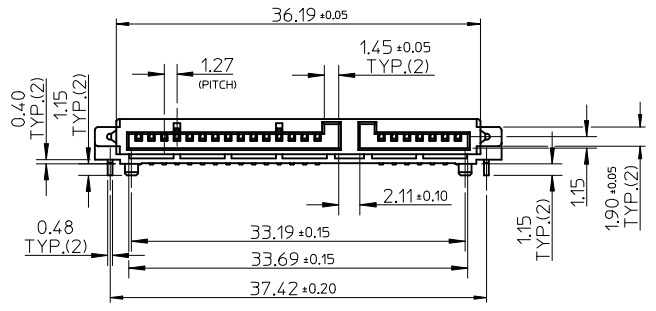
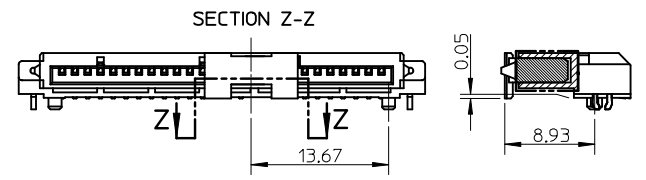
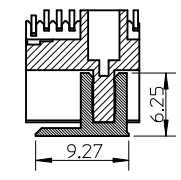
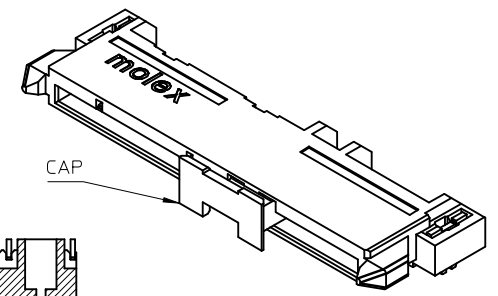
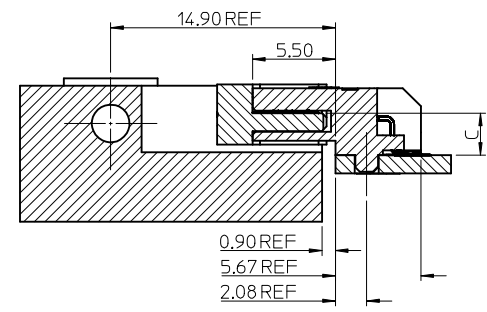
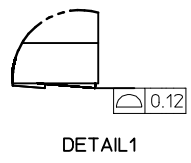
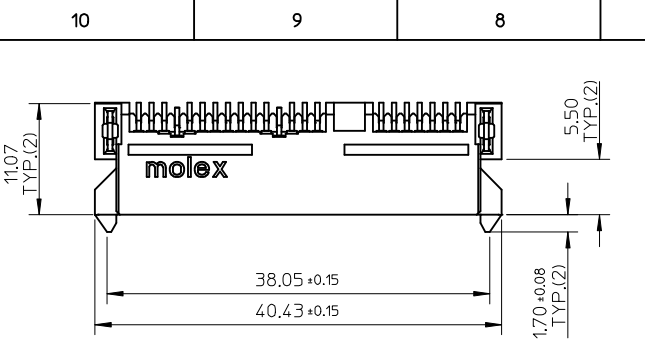


P/N	PLATING	DIM'A	DIM'B	DIM'C	HOUSING COLOR	REMARK
67492-1630	NOTES 2 (A)					
67492-1631	NOTES 2 (B)	2.70	4.45	2.80	BLACK	WITH CAP
67492-1632	NOTES 2 (C)					
67492-1730	NOTES 2 (A)					
67492-1731	NOTES 2 (B)	1.95	3.70	2.05	WHITE	WITH CAP
67492-1732	NOTES 2 (C)					
67492-1620	NOTES 2 (A)					
67492-1621	NOTES 2 (B)	2.70	4.45	2.80	BLACK	WITHOUT CAP
67492-1622	NOTES 2 (C)					
67492-1720	NOTES 2 (A)					
67492-1721	NOTES 2 (B)	1.95	3.70	2.05	WHITE	WITHOUT CAP
67492-1722	NOTES 2 (C)					

- NOTES:
- MATERIAL:
 - HOUSING: HIGH TEMPERATURE THERMAL PLASTIC, UL94V-0, COLOR: REFER TO TABLE IN SHEET 2.
 - TERMINAL: COPPER ALLOY, FORKLOCK: COPPER ALLOY.
 - TERMINAL PLATING:
 - CONTACT AREA:
 - (A) GOLD FLASH,
 - (B) GOLD, THICKNESS=0.76 MICRONS MINIMUM,
 - (C) GOLD, THICKNESS=0.38 MICRONS MINIMUM,
 - SOLDER AREA: TIN, THICKNESS=1.27 MICRONS MINIMUM, UNDER PLATE: NICKEL, THICKNESS=1.27 MICRONS MINIMUM.
 - FORKLOCK PLATING:
 - SOLDER AREA: TIN, THICKNESS=1.27 MICRONS MINIMUM, UNDER PLATE: NICKEL, THICKNESS=1.27 MICRONS MINIMUM.
 - PRODUCT SPECIFICATION: REFER TO PS-67492-001.
 - PACKAGING METHOD: TAPE REEL, 67492-163* REFER TO PK-67492-005, 67492-173* REFER TO PK-67492-006.
 - MATING PARTS: 87703/87672.

RTM	EC NO:	2006/02/08	QUALITY SYMBOLS ▽=0 ∇=0	GENERAL TOLERANCES (UNLESS SPECIFIED)		DIMENSION STYLE MM ONLY		SCALE 2:1	DESIGN UNITS METRIC	THIRD ANGLE PROJECTION	
	DRW:WGLLI	2006/02/28		mm	INCH	DRAWN BY DIXON LI	DATE 2005/12/22	TITLE SATA HOST RECEPTACLE R/A SMT TYPE -LEAD FREE-			
	CHKD:	2006/03/01		4 PLACES ± --- ± ---	3 PLACES ± --- ± ---	CHECKED BY JANNY ZENG	DATE 2005/12/22	APPROVED BY GRATE MA			
	APPR:GRM/A			2 PLACES ± 0.15 ± ---	1 PLACE ± 0.25 ± ---	MATERIAL NO.	DATE 2005/12/22	MOLEX INCORPORATED			
REV	DESCRIPTION		ANGULAR ± 3 °		SEE TABLE		DOCUMENT NO.		SHEET NO.		
B			DRAFT WHERE APPLICABLE MUST REMAIN WITHIN DIMENSIONS		THIS DRAWING CONTAINS INFORMATION THAT IS PROPRIETARY TO MOLEX INCORPORATED AND SHOULD NOT BE USED WITHOUT WRITTEN PERMISSION		SD-67492-008		1 OF 1		



P/N	PLATING	DIM'A	DIM'B	DIM'C	HUSING COLOR	REMARK
67492-1630	NOTES 2 (A)					
67492-1631	NOTES 2 (B)	2.70	4.45	2.80	BLACK	WITH CAP
67492-1632	NOTES 2 (C)					
67492-1730	NOTES 2 (A)					
67492-1731	NOTES 2 (B)	1.95	3.70	2.05	WHITE	WITH CAP
67492-1732	NOTES 2 (C)					
67492-1620	NOTES 2 (A)					
67492-1621	NOTES 2 (B)	2.70	4.45	2.80	BLACK	WITHOUT CAP
67492-1622	NOTES 2 (C)					
67492-1720	NOTES 2 (A)					
67492-1721	NOTES 2 (B)	1.95	3.70	2.05	WHITE	WITHOUT CAP
67492-1722	NOTES 2 (C)					

- NOTES:
- MATERIAL:
 - HOUSING: HIGH TEMPERATURE THERMAL PLASTIC, UL94V-0, COLOR: REFER TO TABLE IN SHEET 2.
 - TERMINAL: COPPER ALLOY, FORKLOCK: COPPER ALLOY.
 - TERMINAL PLATING:
 - CONTACT AREA: (A) GOLD FLASH, (B) GOLD, THICKNESS=0.76 MICRONS MINIMUM, (C) GOLD, THICKNESS=0.38 MICRONS MINIMUM;
 - SOLDER AREA: TIN, THICKNESS=1.27 MICRONS MINIMUM, UNDER PLATE: NICKEL, THICKNESS=1.27 MICRONS MINIMUM.
 - FORKLOCK PLATING:
 - SOLDER AREA: TIN, THICKNESS=1.27 MICRONS MINIMUM, UNDER PLATE: NICKEL, THICKNESS=1.27 MICRONS MINIMUM.
 - PRODUCT SPECIFICATION: REFER TO PS-67492-001.
 - PACKAGING METHOD: TAPE REEL, 67492-163* REFER TO PK-67492-005, 67492-173* REFER TO PK-67492-006.
 - MATING PARTS: 87703/87672.

RTM	EC NO:	2006/02/08
	DRW:WGLLI	2006/02/28
	CHKD:	2006/03/01
	APPR:GRWA	
REV	DESCRIPTION	

QUALITY SYMBOLS
 ▽=0
 ∇=0

GENERAL TOLERANCES (UNLESS SPECIFIED)

	mm	INCH
4 PLACES	± ---	± ---
3 PLACES	± ---	± ---
2 PLACES	± 0.15	± ---
1 PLACE	± 0.25	± ---

ANGULAR ± 3 °

DRAFT WHERE APPLICABLE MUST REMAIN WITHIN DIMENSIONS

DIMENSION STYLE		SCALE	DESIGN UNITS	THIRD ANGLE PROJECTION
MM ONLY		2:1	METRIC	
DRAWN BY	DATE	TITLE		
DIXON LI	2005/12/22	SATA HOST RECEPTACLE		
CHECKED BY	DATE	R/A SMT TYPE		
JANNY ZENG	2005/12/22	-LEAD FREE-		
APPROVED BY	DATE	MOLEX INCORPORATED		
GRATE MA	2005/12/22	DOCUMENT NO. SD-67492-008		
MATERIAL NO.		SHEET NO. 1 OF 1		

THIS DRAWING CONTAINS INFORMATION THAT IS PROPRIETARY TO MOLEX INCORPORATED AND SHOULD NOT BE USED WITHOUT WRITTEN PERMISSION