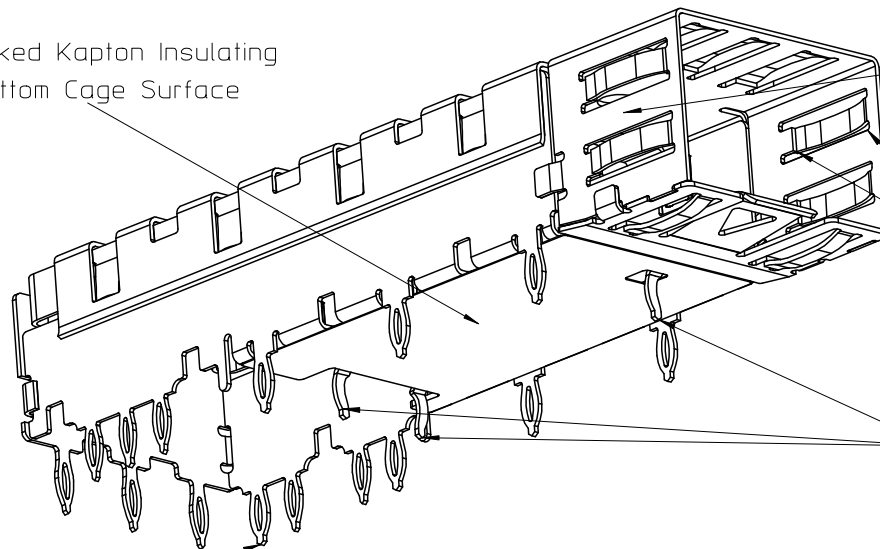


F  
E  
D  
C  
B  
A

Barrier of .002 Adhesive Backed Kapton Insulating Electrical Tape Affixed to Bottom Cage Surface

Gaps Between Spring Tabs < 0.120" (3.0mm)



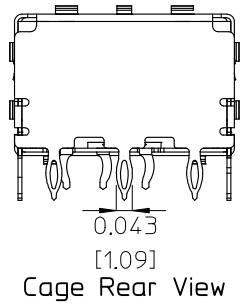
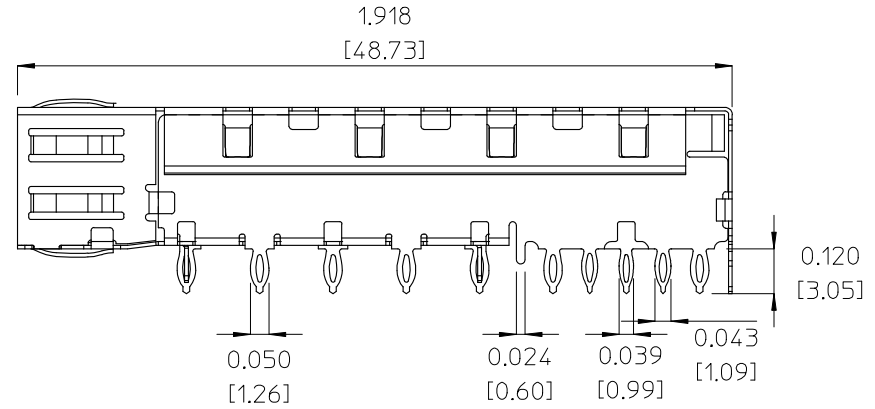
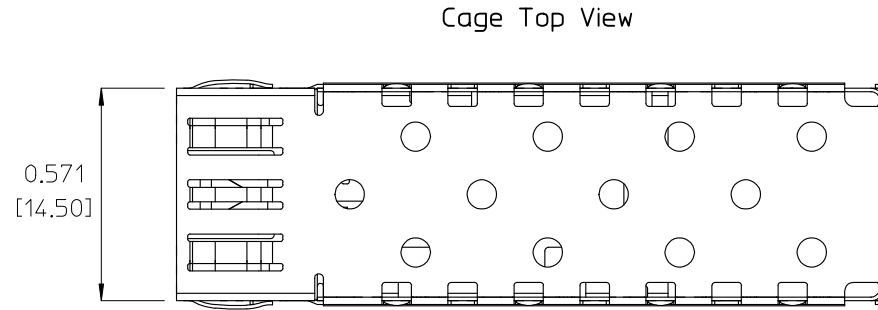
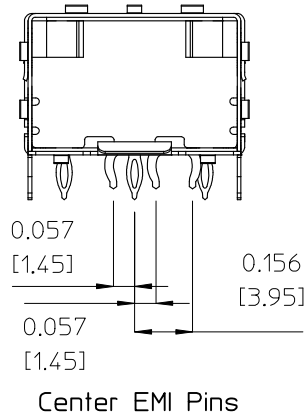
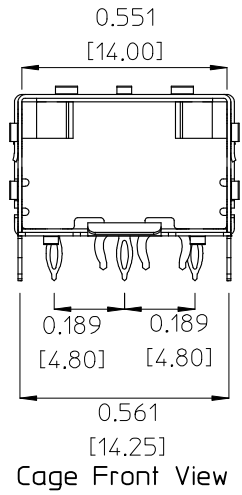
Two Point EMI Spring Contact

Three Center EMI Pins

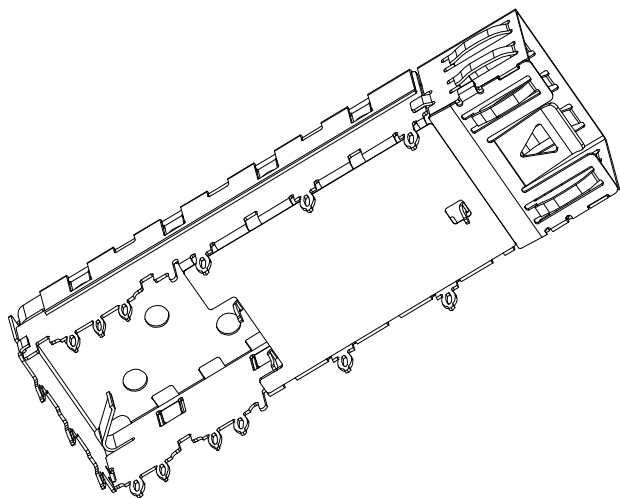
Fifteen press-fit (compliant) pins

Material full-hard, tin plated brass or bronze .010" thick.

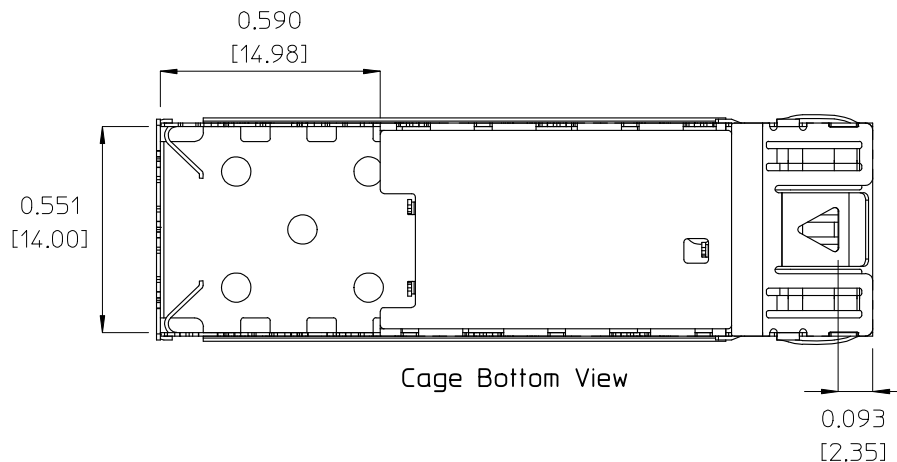
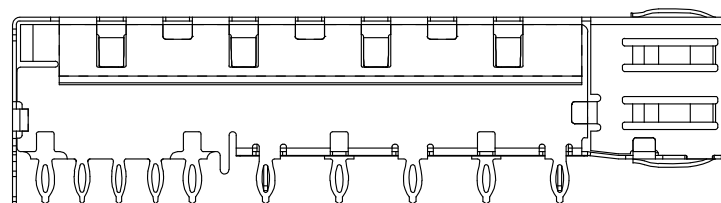
EC NO: UDT2002-0927 DRWN: DIRKERS 2002/01/31 CHKD: DIRKERS 2002/02/05 APPR: DDOYE 2002/02/07	QUALITY SYMBOLS ▽ = 0 ∇ = 0	GENERAL TOLERANCES (UNLESS SPECIFIED)		SCALE 4:1	DESIGN UNITS METRIC	THIRD ANGLE PROJECTION	REVISE ON CAD ONLY	
		4 PLACES ± --- ± ---	3 PLACES ± --- ± .002	DIMENSION STYLE IN/MM		TITLE SFP CAGE ASSEMBLY, 15 PRESS LEGS, 3 EMI CLIPS, KAPTON BARRIER ON BOTTOM		
		2 PLACES ± 0.05 ± ---	1 PLACE ± --- ± ---	DRAWN BY DIRKERS	DATE 2002/01/31	MOLEX INCORPORATED		
		ANGULAR ± 1/2°		CHECKED BY DIRKERS	DATE 2002/01/31	MATERIAL NO. 73927-0014	DOCUMENT NO. SD-73927-014	SHEET NO. 1 OF 7
A	REV	DRAFT WHERE APPLICABLE MUST REMAIN WITHIN DIMENSIONS		APPROVED BY RUSSELL	DATE 2002/01/31	THIS DRAWING CONTAINS INFORMATION THAT IS PROPRIETARY TO MOLEX INCORPORATED AND SHOULD NOT BE USED WITHOUT WRITTEN PERMISSION		



EC NO: U00200209927 DRWN: DIRKERS 2002/01/31 CHKD: DIRKERS 2002/02/05 APPR: DDOYE 2002/02/07	QUALITY SYMBOLS	GENERAL TOLERANCES (UNLESS SPECIFIED)	SCALE 3:1	DESIGN UNITS METRIC	THIRD ANGLE PROJECTION	REVISE ON CAD ONLY	
	DESCRIPTION ▽ - 0 ∇ - 0	mm	INCH	DIMENSION STYLE IN/MM		TITLE	
		4 PLACES ± --- ± ---		DRAWN BY DIRKERS	DATE 2002/01/31	SFP CAGE ASSEMBLY, 15 PRESS LEGS, 3 EMI CLIPS, KAPTON BARRIER ON BOTTOM MOLEX INCORPORATED	
		3 PLACES ± --- ± .002		CHECKED BY DIRKERS	DATE 2002/01/31		
2 PLACES ± 0.05 ± ---		APPROVED BY RUSSELL	DATE 2002/01/31	MATERIAL NO. 73927-0014	DOCUMENT NO. SD-73927-014	SHEET NO. 2 OF 7	
A	REV	DESCRIPTION	DRAFT WHERE APPLICABLE MUST REMAIN WITHIN DIMENSIONS		THIS DRAWING CONTAINS INFORMATION THAT IS PROPRIETARY TO MOLEX INCORPORATED AND SHOULD NOT BE USED WITHOUT WRITTEN PERMISSION		



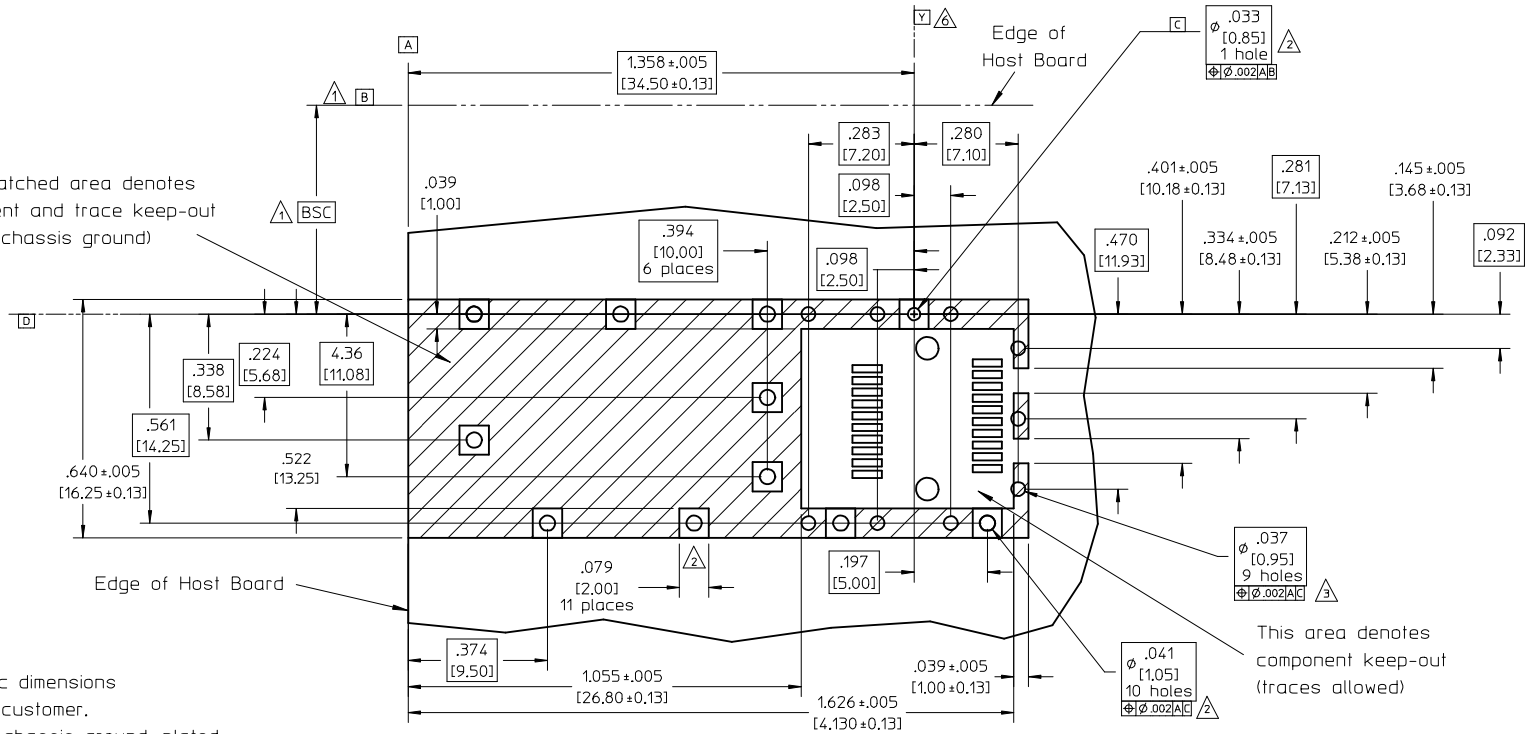
Isometric  
Scale 2.5:1



Cage Bottom View

EC NO: UDT2002-0927 DRWN: DIRKERS 2002/01/31 CHKD: DIRKERS 2002/02/05 APPR: DDOYE 2002/02/07	QUALITY SYMBOLS	GENERAL TOLERANCES (UNLESS SPECIFIED)		SCALE 3:1	DESIGN UNITS METRIC	THIRD ANGLE PROJECTION	REVISE ON CAD ONLY	
	▼ = 0 ∇ = 0		mm	INCH	DIMENSION STYLE IN/MM		TITLE SFP CAGE ASSEMBLY, 15 PRESS LEGS, 3 EMI CLIPS, KAPTON BARRIER ON BOTTOM MOLEX INCORPORATED	
		4 PLACES	± ---	± ---	DRAWN BY DIRKERS	DATE 2002/01/31		
		3 PLACES	± ---	± .002	CHECKED BY DIRKERS	DATE 2002/01/31		
2 PLACES	± 0.05	± ---	APPROVED BY RUSSELL	DATE 2002/01/31	MATERIAL NO. 73927-0009	DOCUMENT NO. SD-73927-014		SHEET NO. 3 OF 7
1 PLACE	± ---	± ---	ANGULAR ± 1/2°		THIS DRAWING CONTAINS INFORMATION THAT IS PROPRIETARY TO MOLEX INCORPORATED AND SHOULD NOT BE USED WITHOUT WRITTEN PERMISSION			
DRAFT WHERE APPLICABLE MUST REMAIN WITHIN DIMENSIONS								

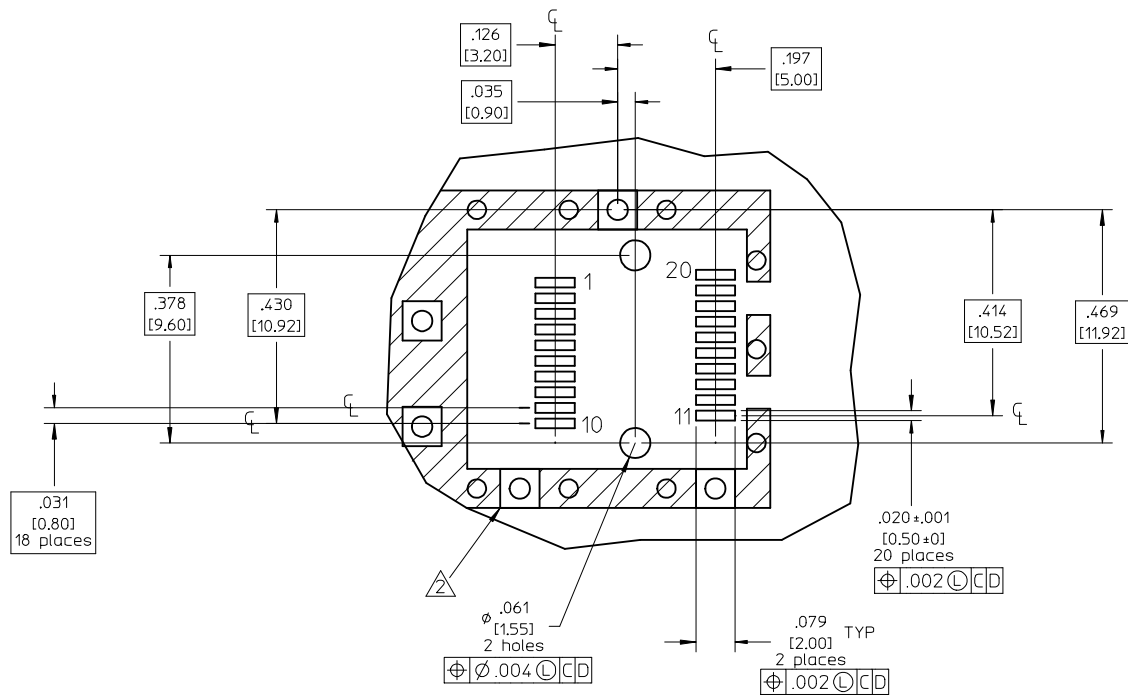
Cross-hatched area denotes component and trace keep-out (except chassis ground)



- ▲ Datum and basic dimensions established by customer.
- ▲ Vias and pads chassis ground, plated through, 11 places. Pads optional.
- ▲ Holes optionally plated through.
- 4 Hole pattern allows two parts to be mounted "belly-to-belly" on .062"-.125" nom. boards. Hole layout shown for one side only. Transceiver profile determines minimum board thickness in "belly-to-belly" applications.
- ▲ Cage datum Y shown for reference to cage, only.

This area denotes component keep-out (traces allowed)

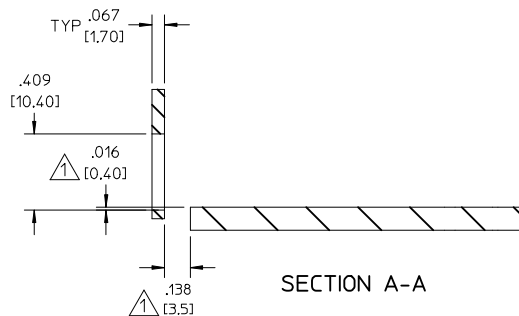
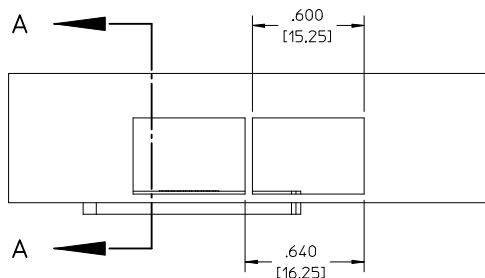
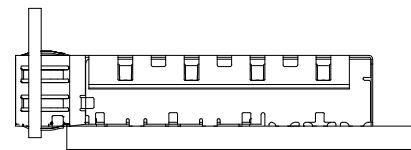
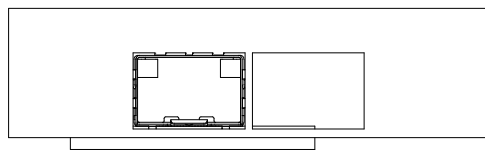
EC NO: UDT2002-0927 DRWN: DIRKERS 2002/01/31 CHKD: DIRKERS 2002/02/05 APPR: DDOYE 2002/02/07	QUALITY SYMBOLS	GENERAL TOLERANCES (UNLESS SPECIFIED)	SCALE 3:1	DESIGN UNITS METRIC	THIRD ANGLE PROJECTION	REVISE ON CAD ONLY
	DESCRIPTION ▼ = 0 ∇ = 0	mm	INCH	DIMENSION STYLE IN/MM		TITLE SFP CAGE ASSEMBLY, 15 PRESS LEGS, 3 EMI CLIPS, KAPTON BARRIER ON BOTTOM MOLEX INCORPORATED
		4 PLACES ± --- ± ---	3 PLACES ± --- ± .002	2 PLACES ± 0.05 ± ---	1 PLACE ± --- ± ---	
	ANGULAR ± 1/2°	DRAFT WHERE APPLICABLE		MATERIAL NO. 73927-0014	DOCUMENT NO. SD-73927-014	SHEET NO. 4 OF 7
	MUST REMAIN WITHIN DIMENSIONS		THIS DRAWING CONTAINS INFORMATION THAT IS PROPRIETARY TO MOLEX INCORPORATED AND SHOULD NOT BE USED WITHOUT WRITTEN PERMISSION			



1. Connector pad pattern per MSA, will accommodate surface mount Molex connector 74441 or equivalent.

△ Cage mounting pads not required for press-fit application.

EC NO: UDT2002-0927 DRWN: DIRKERS 2002/01/31 CHKD: DIRKERS 2002/02/05 APPR: DDOYE 2002/02/07	QUALITY SYMBOLS	GENERAL TOLERANCES (UNLESS SPECIFIED)	SCALE 3:1	DESIGN UNITS METRIC	THIRD ANGLE PROJECTION	REVISE ON CAD ONLY	
	DESCRIPTION ▽ = 0 ∇ = 0	mm INCH	DIMENSION STYLE IN/MM		TITLE		
		4 PLACES ± --- ± ---	DRAWN BY DATE		SFP CAGE ASSEMBLY, 15 PRESS LEGS, 3 EMI CLIPS, KAPTON BARRIER ON BOTTOM MOLEX MOLEX INCORPORATED		
		3 PLACES ± --- ± .002	DIRKERS 2002/01/31				
2 PLACES ± 0.05 ± ---	CHECKED BY DATE		MATERIAL NO.	DOCUMENT NO.	SHEET NO.		
1 PLACE ± --- ± ---	ANGULAR ± 1/2°		DIRKERS 2002/01/31		73927-0014	SD-73927-014	5 OF 7
A	DRAFT WHERE APPLICABLE MUST REMAIN WITHIN DIMENSIONS		APPROVED BY DATE		THIS DRAWING CONTAINS INFORMATION THAT IS PROPRIETARY TO MOLEX INCORPORATED AND SHOULD NOT BE USED WITHOUT WRITTEN PERMISSION		
			RUSSELL 2002/01/31				



1. Relational geometry per MSA standard.

EC NO: <u>WDT2002-0927</u> DRWN: DIRKERS 2002/01/31 CHKD: DIRKERS 2002/02/05 APPR: DDOYE 2002/02/07	QUALITY SYMBOLS ▽ = 0 ∇ = 0	GENERAL TOLERANCES (UNLESS SPECIFIED) mm INCH 4 PLACES ± --- ± --- 3 PLACES ± --- ± .002 2 PLACES ± 0.05 ± --- 1 PLACE ± --- ± --- ANGULAR ± 1/2° DRAFT WHERE APPLICABLE MUST REMAIN WITHIN DIMENSIONS	SCALE 1.5:1 DESIGN UNITS METRIC DIMENSION STYLE IN/MM	THIRD ANGLE PROJECTION REVISE ON CAD ONLY
	DESCRIPTION A	DRAWN BY DIRKERS DATE 2002/01/31 CHECKED BY DIRKERS DATE 2002/01/31 APPROVED BY RUSSELL DATE 2002/01/31	TITLE SFP CAGE ASSEMBLY, 15 PRESS LEGS, 3 EMI CLIPS, KAPTON BARRIER ON BOTTOM MOLEX INCORPORATED	MATERIAL NO. 73927-0014 DOCUMENT NO. SD-73927-014 SHEET NO. 6 OF 7
	THIS DRAWING CONTAINS INFORMATION THAT IS PROPRIETARY TO MOLEX INCORPORATED AND SHOULD NOT BE USED WITHOUT WRITTEN PERMISSION		B	
	THIS DRAWING CONTAINS INFORMATION THAT IS PROPRIETARY TO MOLEX INCORPORATED AND SHOULD NOT BE USED WITHOUT WRITTEN PERMISSION			

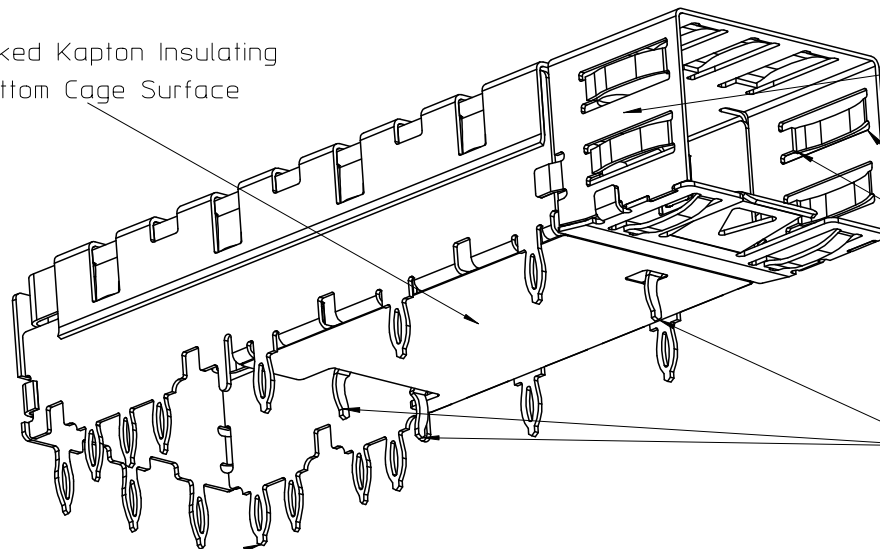
DATE	REV	CHANGES	REASONS	APPROVAL
2002/01/31	A	INITIAL DRAWING BASED UPON 73927-0009	CUSTOMER WANTS INSULATING TAPE ON BTM SURFACE	CD

EC NO: UDT2002-0927 DRWN: DIRKERS 2002/01/31 CHK: DIRKERS APPR: DDOYE 2002/02/07	QUALITY SYMBOLS	GENERAL TOLERANCES (UNLESS SPECIFIED)	SCALE 1:1	DESIGN UNITS METRIC	THIRD ANGLE PROJECTION	REVISE ON CAD ONLY	
	DESCRIPTION ▽ = 0 ∇ = 0	mm	INCH	DIMENSION STYLE		TITLE	
		4 PLACES ± ---	± ---	IN/MM			
		3 PLACES ± ---	± .002	DRAWN BY	DATE	SFP CAGE ASSEMBLY, 15 PRESS LEGS, 3 EMI CLIPS, KAPTON BARRIER ON BOTTOM	
2 PLACES ± 0.05		± ---	DIRKERS	2002/01/31			
1 PLACE ± ---	± ---	CHECKED BY	DATE	MOLEX INCORPORATED			
ANGULAR ± 1/2 °		DIRKERS	2002/01/31				
	DRAFT WHERE APPLICABLE	APPROVED BY	DATE	MATERIAL NO.	DOCUMENT NO.	SHEET NO.	
	MUST REMAIN WITHIN DIMENSIONS	RUSSELL	2002/01/31	73927-0014	SD-73927-014	7 OF 7	
		THIS DRAWING CONTAINS INFORMATION THAT IS PROPRIETARY TO MOLEX INCORPORATED AND SHOULD NOT BE USED WITHOUT WRITTEN PERMISSION					

F  
E  
D  
C  
B  
A

Barrier of .002 Adhesive Backed Kapton Insulating Electrical Tape Affixed to Bottom Cage Surface

Gaps Between Spring Tabs < 0.120" (3.0mm)



Two Point EMI Spring Contact

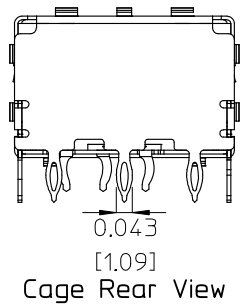
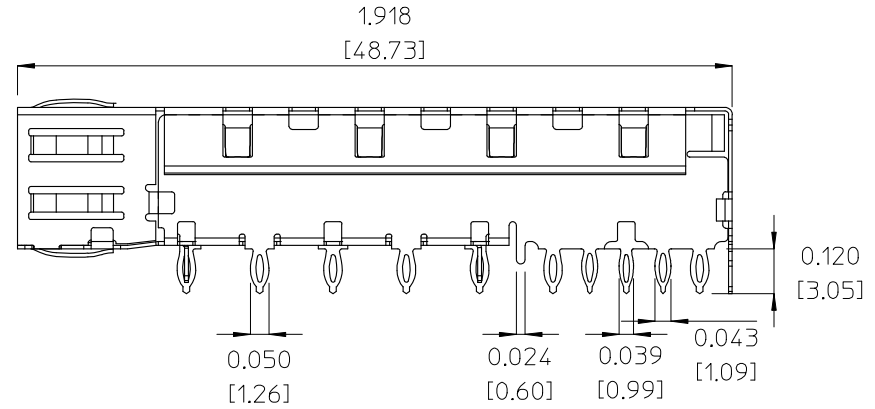
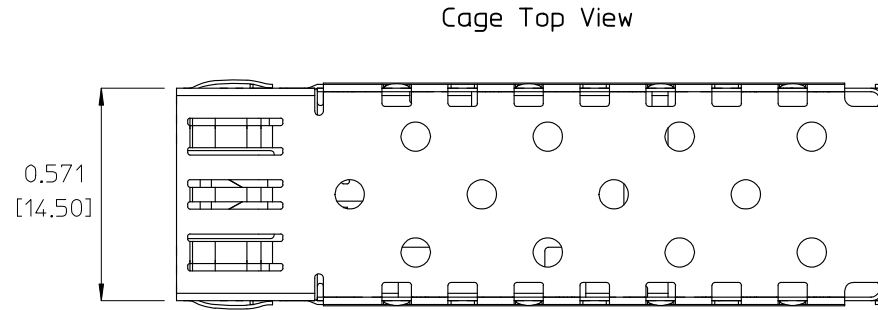
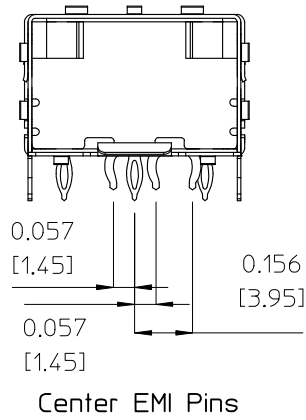
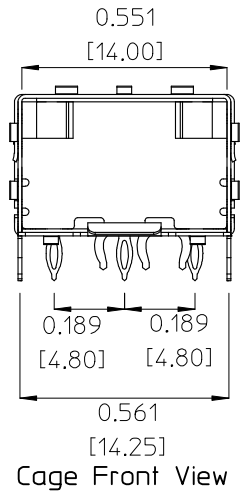
Three Center EMI Pins

Fifteen press-fit (compliant) pins

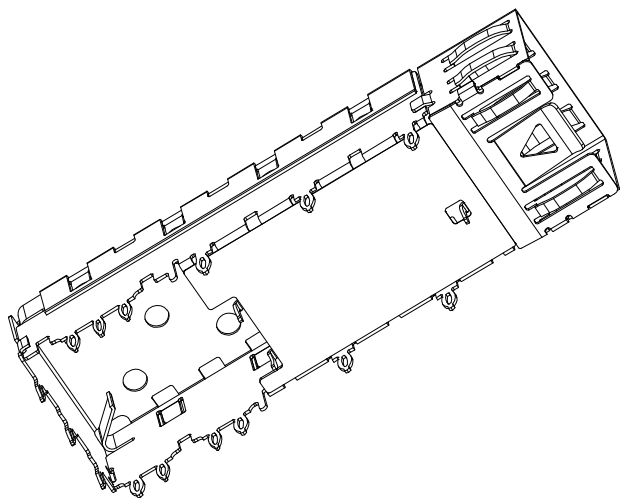
Material full-hard, tin plated brass or bronze .010" thick.

EC NO: UDT2002-0927 DRWN: DIRKERS 2002/01/31 CHKD: DIRKERS 2002/02/05 APPR: DDOYE 2002/02/07	QUALITY SYMBOLS ▽ = 0 ∇ = 0	GENERAL TOLERANCES (UNLESS SPECIFIED)		SCALE 4:1	DESIGN UNITS METRIC	THIRD ANGLE PROJECTION	REVISE ON CAD ONLY	
		4 PLACES ± --- ± ---	3 PLACES ± --- ± .002	DIMENSION STYLE IN/MM		TITLE SFP CAGE ASSEMBLY, 15 PRESS LEGS, 3 EMI CLIPS, KAPTON BARRIER ON BOTTOM		
		2 PLACES ± 0.05 ± ---	1 PLACE ± --- ± ---	DRAWN BY DIRKERS	DATE 2002/01/31	MOLEX INCORPORATED		
		ANGULAR ± 1/2°		CHECKED BY DIRKERS	DATE 2002/01/31	MATERIAL NO. 73927-0014	DOCUMENT NO. SD-73927-014	SHEET NO. 1 OF 7
A	REV	DRAFT WHERE APPLICABLE MUST REMAIN WITHIN DIMENSIONS		APPROVED BY RUSSELL	DATE 2002/01/31	THIS DRAWING CONTAINS INFORMATION THAT IS PROPRIETARY TO MOLEX INCORPORATED AND SHOULD NOT BE USED WITHOUT WRITTEN PERMISSION		

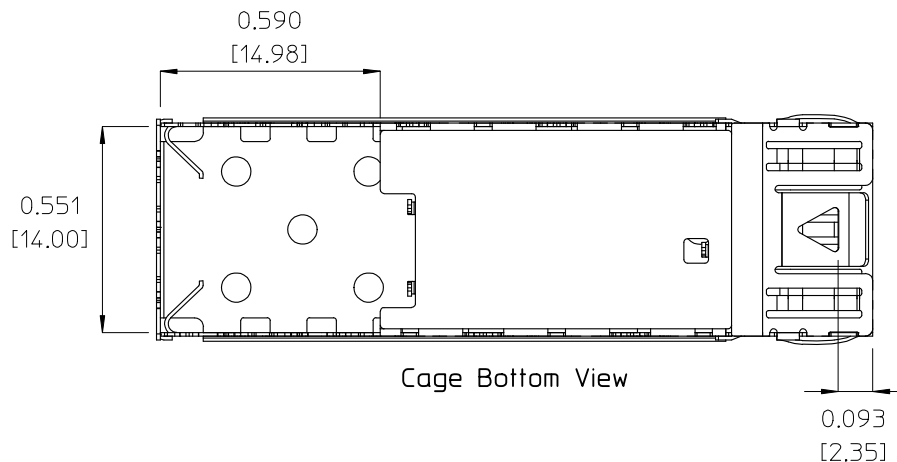
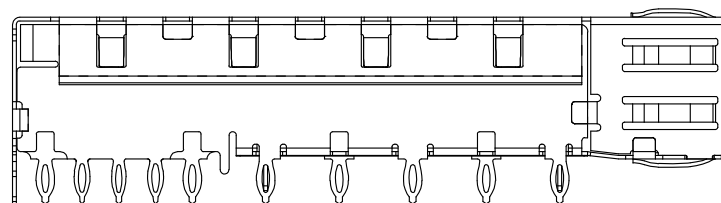




EC NO: U0020020927 DRWN:DIRKERS 2002/01/31 CHKD:DIRKERS 2002/02/05 APPR:DDOYE 2002/02/07	QUALITY SYMBOLS	GENERAL TOLERANCES (UNLESS SPECIFIED)	SCALE 3:1	DESIGN UNITS METRIC	THIRD ANGLE PROJECTION	REVISE ON CAD ONLY	
	DESCRIPTION ▽ - 0 ∇ - 0	mm	INCH	DIMENSION STYLE IN/MM		TITLE	
		4 PLACES ± --- ± ---		DRAWN BY DIRKERS	DATE 2002/01/31	SFP CAGE ASSEMBLY, 15 PRESS LEGS, 3 EMI CLIPS, KAPTON BARRIER ON BOTTOM MOLEX INCORPORATED	
		3 PLACES ± --- ± .002		CHECKED BY DIRKERS	DATE 2002/01/31		
2 PLACES ± 0.05 ± ---		APPROVED BY RUSSELL	DATE 2002/01/31	MATERIAL NO. 73927-0014	DOCUMENT NO. SD-73927-014	SHEET NO. 2 OF 7	
A	REV	DESCRIPTION	DRAFT WHERE APPLICABLE MUST REMAIN WITHIN DIMENSIONS		THIS DRAWING CONTAINS INFORMATION THAT IS PROPRIETARY TO MOLEX INCORPORATED AND SHOULD NOT BE USED WITHOUT WRITTEN PERMISSION		



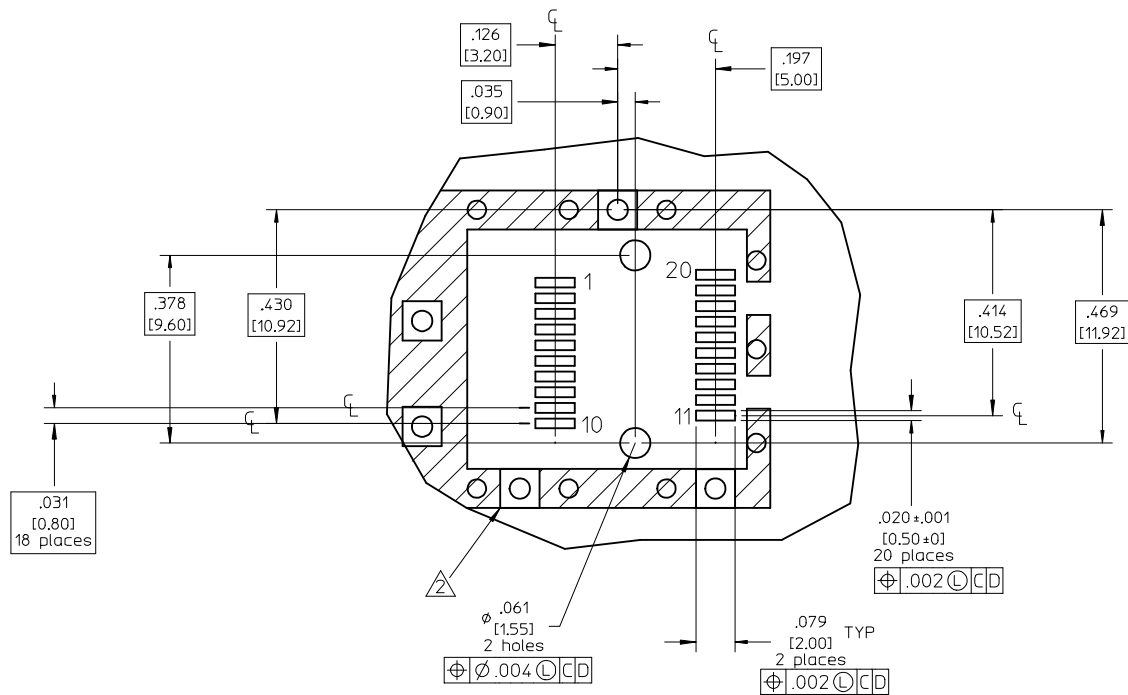
Isometric  
Scale 2.5:1



Cage Bottom View

EC NO: UDT2002-0927 DRWN: DIRKERS 2002/01/31 CHKD: DIRKERS 2002/02/05 APPR: DDOYE 2002/02/07	QUALITY SYMBOLS	GENERAL TOLERANCES (UNLESS SPECIFIED)		SCALE 3:1	DESIGN UNITS METRIC	THIRD ANGLE PROJECTION	REVISE ON CAD ONLY
	▼ = 0 ∇ = 0		mm	INCH	DIMENSION STYLE IN/MM		TITLE SFP CAGE ASSEMBLY, 15 PRESS LEGS, 3 EMI CLIPS, KAPTON BARRIER ON BOTTOM MOLEX INCORPORATED
		4 PLACES	± ---	± ---	DRAWN BY	DATE	
		3 PLACES	± ---	± .002	DIRKERS	2002/01/31	
2 PLACES	± 0.05	± ---	CHECKED BY	DATE			
1 PLACE	± ---	± ---	DIRKERS	2002/01/31	MATERIAL NO. 73927-0009		DOCUMENT NO. SD-73927-014
DRAFT WHERE APPLICABLE		MUST REMAIN WITHIN DIMENSIONS		APPROVED BY	DATE	SHEET NO. 3 OF 7	
				RUSSELL	2002/01/31	THIS DRAWING CONTAINS INFORMATION THAT IS PROPRIETARY TO MOLEX INCORPORATED AND SHOULD NOT BE USED WITHOUT WRITTEN PERMISSION	

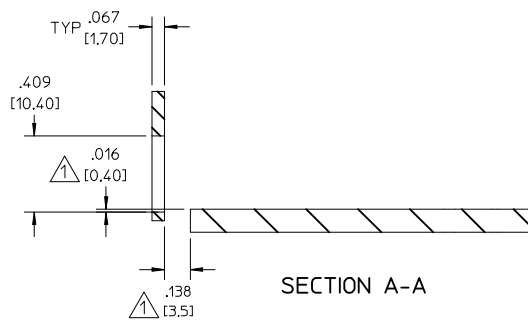
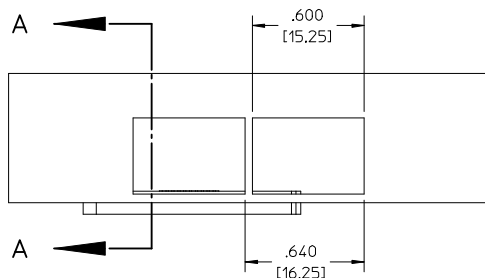
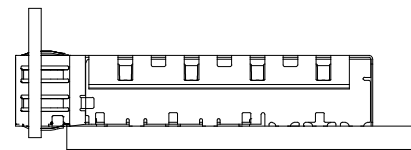
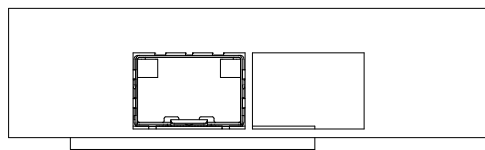




1. Connector pad pattern per MSA, will accommodate surface mount Molex connector 74441 or equivalent.

△ Cage mounting pads not required for press-fit application.

EC NO: UDT2002-0927 DRWN: DIRKERS 2002/01/31 CHKD: DIRKERS 2002/02/05 APPR: DDOYE 2002/02/07	QUALITY SYMBOLS	GENERAL TOLERANCES (UNLESS SPECIFIED)	SCALE 3:1	DESIGN UNITS METRIC	THIRD ANGLE PROJECTION	REVISE ON CAD ONLY
	DESCRIPTION ▽ = 0 ∇ = 0	mm INCH	DIMENSION STYLE IN/MM		TITLE	
		4 PLACES ± --- ± ---	DRAWN BY DIRKERS DATE 2002/01/31		SFP CAGE ASSEMBLY, 15 PRESS LEGS, 3 EMI CLIPS, KAPTON BARRIER ON BOTTOM	
		3 PLACES ± --- ± .002	CHECKED BY DIRKERS DATE 2002/01/31		MOLEX MOLEX INCORPORATED	
A	2 PLACES ± 0.05 ± ---	APPROVED BY RUSSELL DATE 2002/01/31		MATERIAL NO. 73927-0014	DOCUMENT NO. SD-73927-014	SHEET NO. 5 OF 7
	1 PLACE ± --- ± ---	DRAFT WHERE APPLICABLE MUST REMAIN WITHIN DIMENSIONS		THIS DRAWING CONTAINS INFORMATION THAT IS PROPRIETARY TO MOLEX INCORPORATED AND SHOULD NOT BE USED WITHOUT WRITTEN PERMISSION		



1. Relational geometry per MSA standard.

EC NO: <u>WDT2002-0927</u> DRWN: DIRKERS 2002/01/31 CHKD: DIRKERS 2002/02/05 APPR: DDOYE 2002/02/07	QUALITY SYMBOLS	GENERAL TOLERANCES (UNLESS SPECIFIED)	SCALE 1.5:1	DESIGN UNITS METRIC	THIRD ANGLE PROJECTION	REVISE ON CAD ONLY															
	DESCRIPTION ▽ = 0 ∇ = 0	<table border="1"> <thead> <tr> <th></th> <th>mm</th> <th>INCH</th> </tr> </thead> <tbody> <tr> <td>4 PLACES</td> <td>± ---</td> <td>± ---</td> </tr> <tr> <td>3 PLACES</td> <td>± ---</td> <td>± .002</td> </tr> <tr> <td>2 PLACES</td> <td>± 0.05</td> <td>± ---</td> </tr> <tr> <td>1 PLACE</td> <td>± ---</td> <td>± ---</td> </tr> </tbody> </table>		mm	INCH	4 PLACES	± ---	± ---	3 PLACES	± ---	± .002	2 PLACES	± 0.05	± ---	1 PLACE	± ---	± ---	DIMENSION STYLE IN/MM	TITLE SFP CAGE ASSEMBLY, 15 PRESS LEGS, 3 EMI CLIPS, KAPTON BARRIER ON BOTTOM		
			mm	INCH																	
		4 PLACES	± ---	± ---																	
3 PLACES	± ---	± .002																			
2 PLACES	± 0.05	± ---																			
1 PLACE	± ---	± ---																			
ANGULAR ±1/2° DRAFT WHERE APPLICABLE MUST REMAIN WITHIN DIMENSIONS	DRAWN BY DIRKERS CHECKED BY DIRKERS APPROVED BY RUSSELL	DATE 2002/01/31 DATE 2002/01/31 DATE 2002/01/31	MOLEX INCORPORATED																		
A	THIS DRAWING CONTAINS INFORMATION THAT IS PROPRIETARY TO MOLEX INCORPORATED AND SHOULD NOT BE USED WITHOUT WRITTEN PERMISSION	MATERIAL NO. 73927-0014 DOCUMENT NO. SD-73927-014 SHEET NO. 6 OF 7	B																		

DATE	REV	CHANGES	REASONS	APPROVAL
2002/01/31	A	INITIAL DRAWING BASED UPON 73927-0009	CUSTOMER WANTS INSULATING TAPE ON BTM SURFACE	CD

EC NO: UDT2002-0927 DRWN: DIRKERS 2002/01/31 CHK: DIRKERS APPR: DDOYE 2002/02/07	QUALITY SYMBOLS	GENERAL TOLERANCES (UNLESS SPECIFIED)	SCALE 1:1	DESIGN UNITS METRIC	THIRD ANGLE PROJECTION	REVISE ON CAD ONLY	
	DESCRIPTION ▽ = 0 ∇ = 0	mm	INCH	DIMENSION STYLE		TITLE	
		4 PLACES ± ---	± ---	IN/MM			
		3 PLACES ± ---	± .002	DRAWN BY	DATE	SFP CAGE ASSEMBLY, 15 PRESS LEGS, 3 EMI CLIPS, KAPTON BARRIER ON BOTTOM	
2 PLACES ± 0.05		± ---	DIRKERS	2002/01/31			
1 PLACE ± ---	± ---	CHECKED BY	DATE	MOLEX INCORPORATED			
ANGULAR ± 1/2 °		DIRKERS	2002/01/31				
REV	DRAFT WHERE APPLICABLE	MUST REMAIN WITHIN DIMENSIONS	APPROVED BY	DATE	MATERIAL NO.	DOCUMENT NO.	SHEET NO.
A			RUSSELL	2002/01/31	73927-0014	SD-73927-014	7 OF 7
THIS DRAWING CONTAINS INFORMATION THAT IS PROPRIETARY TO MOLEX INCORPORATED AND SHOULD NOT BE USED WITHOUT WRITTEN PERMISSION							B