

D-Sub Full Metal, Side cable entry with Metalized Grommet Set

TECHNICAL SPECIFICATIONS

Material: Zinc, Nickel Plated
 Operating Temperature: -40°C to +120°C
 Cable Entry: 35° Side Entry
 Thumbscrews: UNC 4-40 (Standard)
 M2,5 or M3 on request
 Cable O.D: Up to 13mm



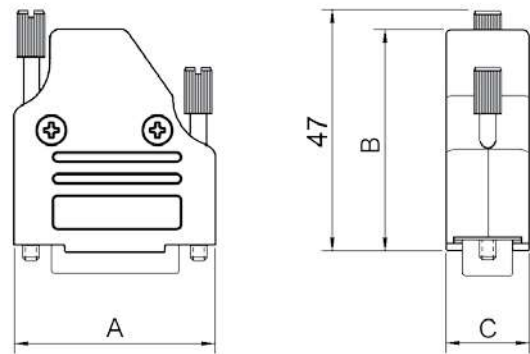
Multi Hood (MH) Series

- with three options for cable entry / assembly:

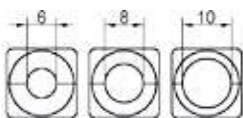
- Crimp Ferrule (MHC)
- Metalized grommet (MHDM)
- Metalized Cone + Clamp (MHEE)

Features:

- Available in sizes 9-15-25-37
- 360° EMI Shielding
- Quick assembly
- Supports all types of cables
- Suitable for any common D-Sub connector



Grommet Sizes:



Size:	Dim A	Dim B	Dim C
9-way	32,2	41,3	15,4
15-way	40,6	43,3	15,4
25-way	54,5	49,5	15,4
37-way	70,7	54,3	15,4

Ordering information:

Size:	P/N - Kitted:	Product Code:
9-way	6560-0139-11	MHDM35-09-K
15-way	6560-0139-12	MHDM35-15-K
25-way	6560-0139-13	MHDM35-25-K
37-way	6560-0139-14	MHDM35-37-K

Size:	P/N - BULK:	Product Code:
9-way	6561-0139-11	MHDM35-09
15-way	6561-0139-12	MHDM35-15
25-way	6561-0139-13	MHDM35-25
37-way	6561-0139-14	MHDM35-37

