

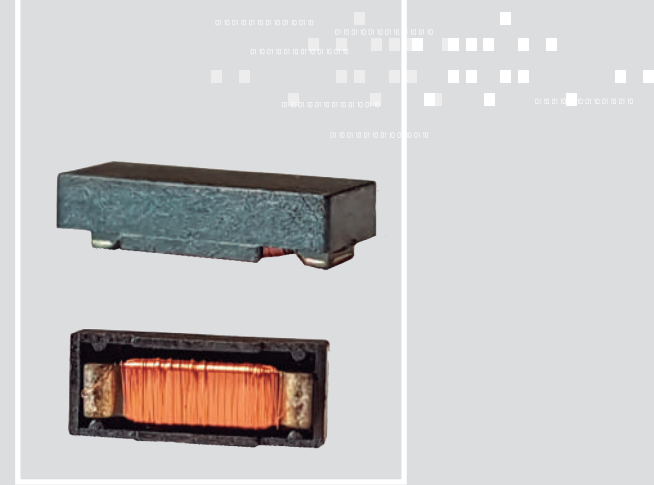
New

TP0602CAP

Micro SMD Hard Ferrite Transponder Inductor

7.1x2.9x2.05mm

SINGLE AXIS TRANSPONDERS INDUCTORS



FEATURES

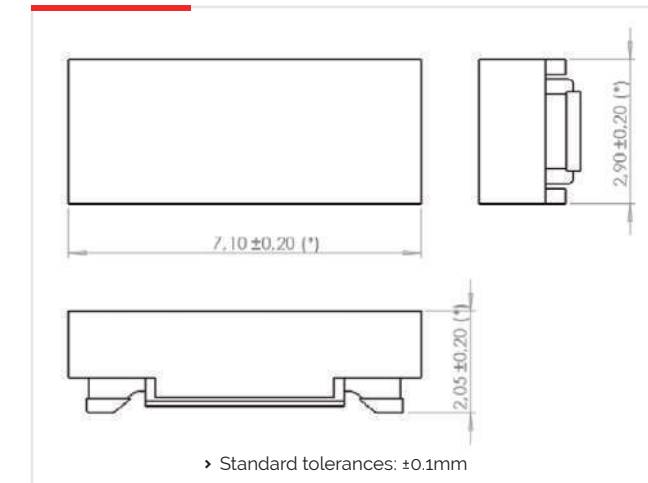
This single axis transponder suitable for Surface Mountable process combines a very small size and a good electrical performance and stability in temperature. A very good solution for RTPMS.

01 CHARACTERISTICS

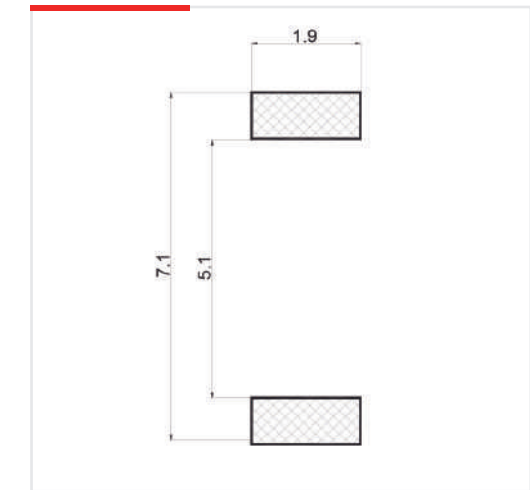
- › Very small size: 7.1x2.9x2.05mm
- › Good mechanical performance
- › Good sensitivity in small volume
- › Very stable electrical properties in full operational operative range (-40°C +125°C)
- › Wire: H, 125°C solderable.
- › Terminals: Ag-Ni-Sn100
- › Max. Operating Temperature: +125°C
- › Suitable for Pick&Place SMD assembly
- › This component is also functional to 20kHz and 134kHz.

02 SPECIFICATIONS

DIMENSIONS (mm)



RECOMMENDED PAD-LAYOUT



ELECTRICAL SPECIFICATIONS | 125kHz

Code	L (mH)	Q min	SRF (kHz) Min	Cres (pF)	DCR (Ω) Max	Sensitivity (mV/uT) min	Dimensions (mm) Max
TP0602CAP-0238J	2.38 ± 5%	21	900	680	49.5	12	7.1 x 2.9 x 2.05
TP0602CAP-0491J	4.91 ± 5%	20	600	330	95.2	20	7.1 x 2.9 x 2.05
TP0602CAP-0720J	7.2 ± 5%	18	500	220	168.3	23	7.1 x 2.9 x 2.05
TP0602CAP-0900J	9.0 ± 5%	18	450	180	190.3	27	7.1 x 2.9 x 2.05
TP0602CAP-1080J	10.8 ± 5%	20	400	150	220.0	39	7.1 x 2.9 x 2.05

This chart is a reference guide for the most common required values at working frequency of 125kHz. Any other inductance value at LF or tighter tolerances can be provided. Please contact our sales department for any inquiry. Sensitivity measured with Helmholtz coils H=8.36 App/m @125kHz. Contact us for measurement specification.

SRF: Self-resonant frequency of the coil
Cres: Capacitor for tuning circuits (125kHz)