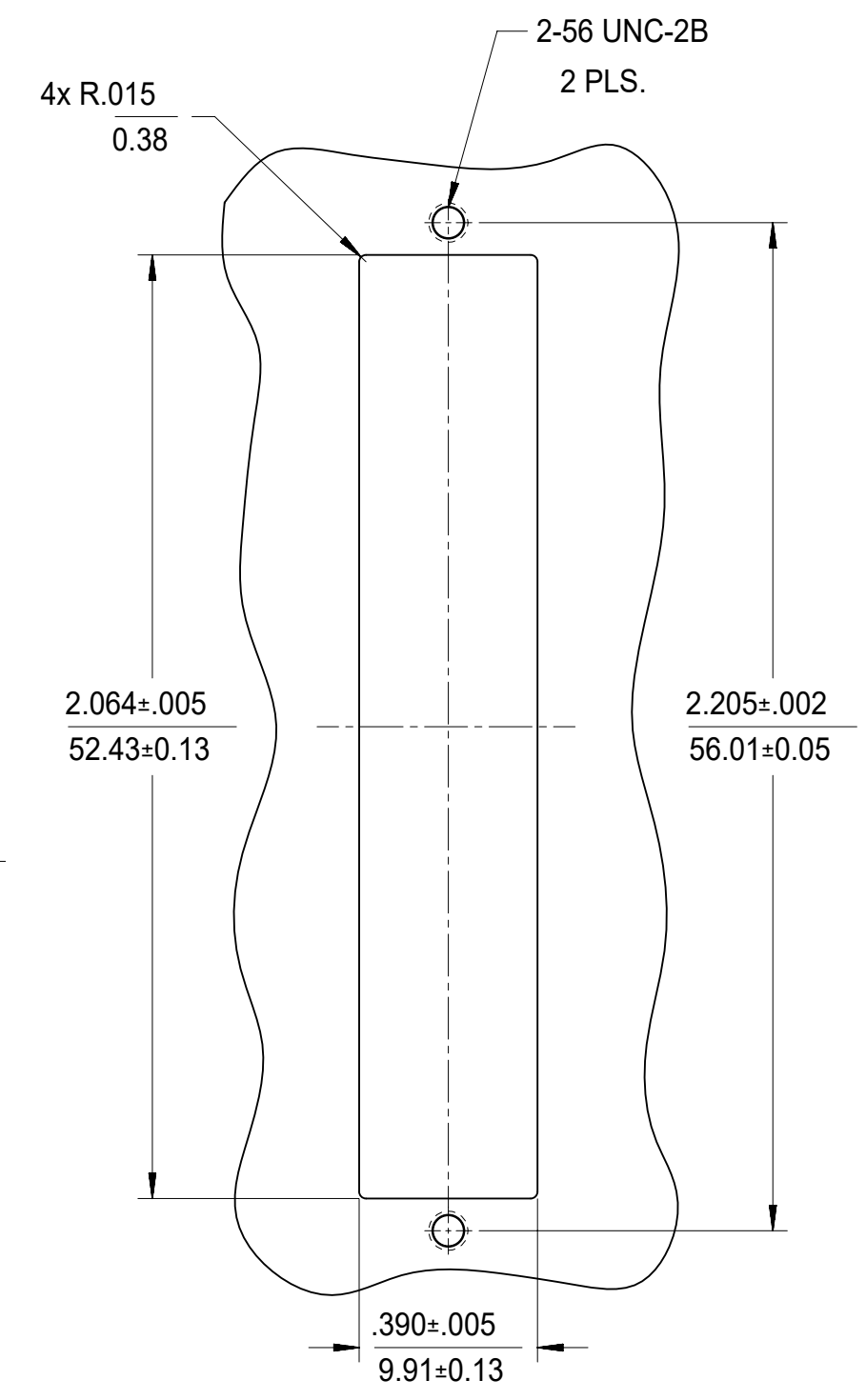
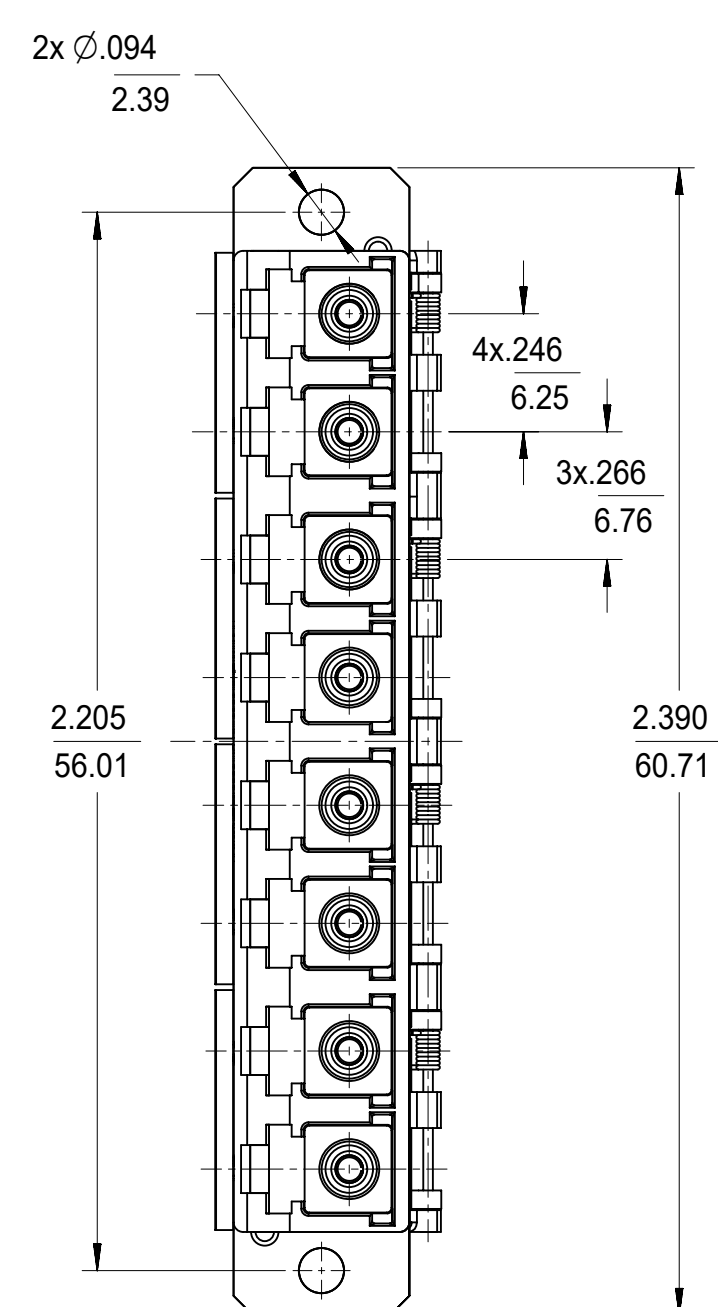
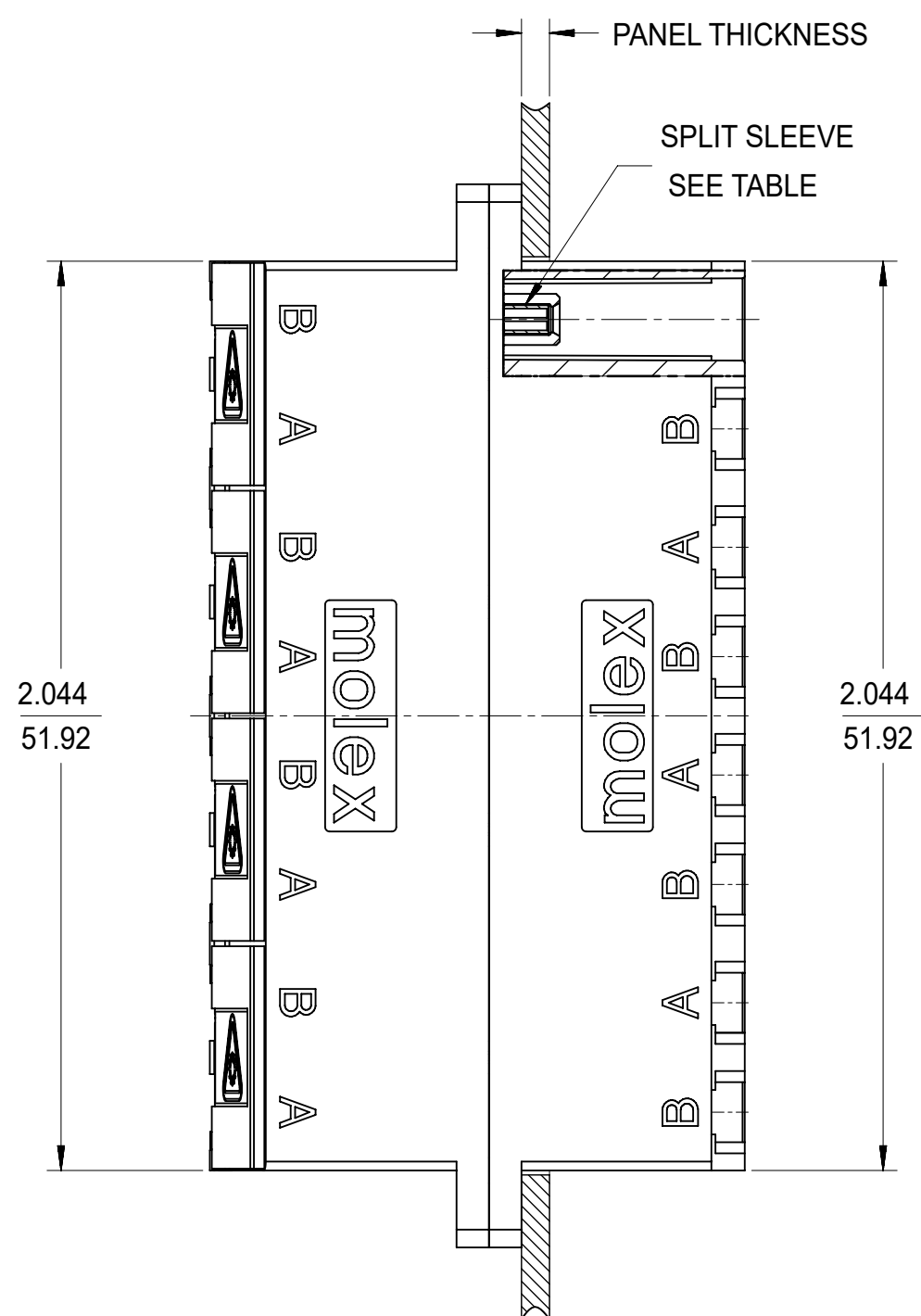
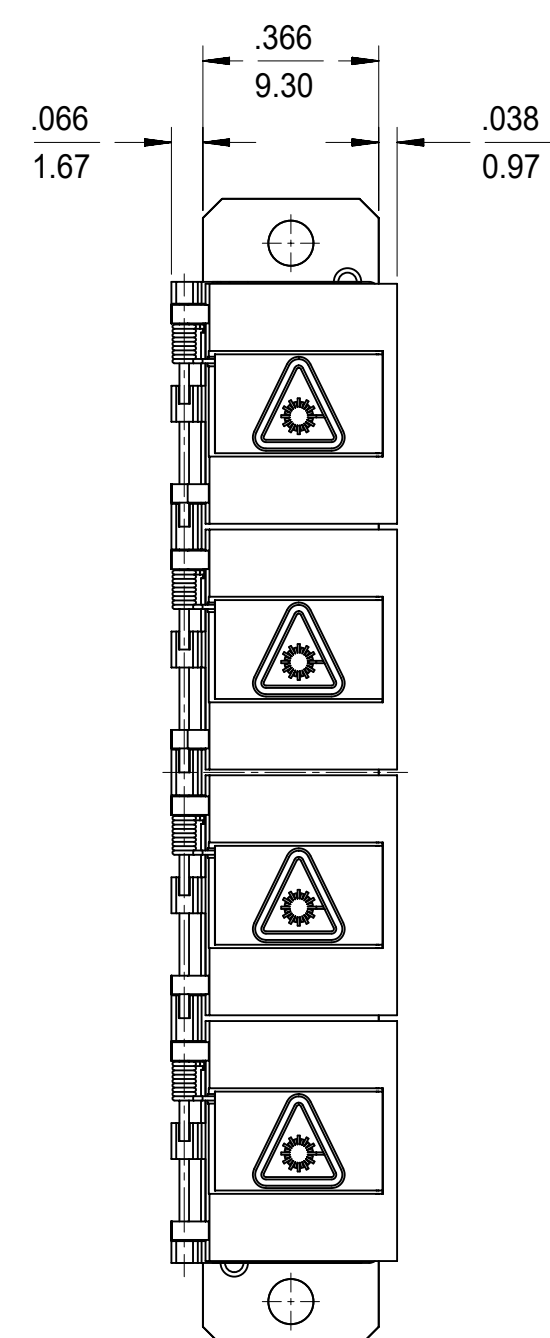
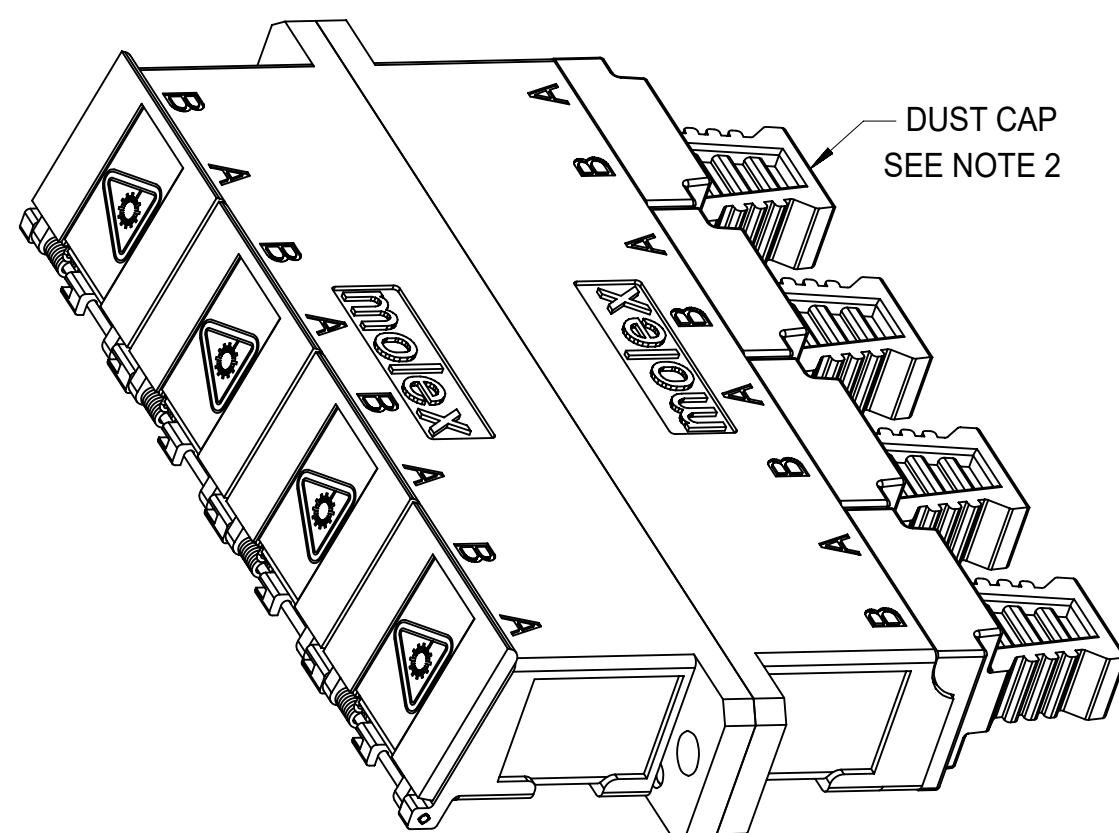


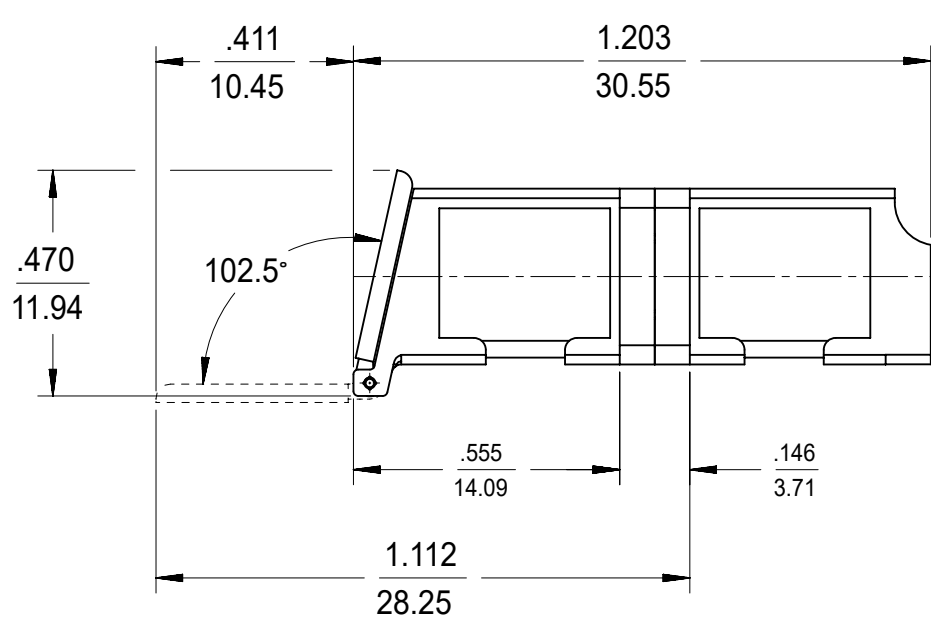
LC 8 PORT ADAPTER P/N	LC 8 PORT ADAPTER COLOR	SPLIT SLEEVE MATERIAL
106121-0100	BLUE	CERAMIC
106121-0101	GREEN	
106121-0102	BEIGE	
106121-0103	AQUA	



RECOMMENDED
MOUNTING PATTERN



ISO VIEW



NOTES:
1. ALL DIMENSIONS ARE FOR REFERENCE.
2. DUST CAPS SHOWN IN ISO VIEW ONLY.

FUNCTIONAL SYMBOLS	THIS DRAWING CONTAINS INFORMATION THAT IS PROPRIETARY TO MOLEX ELECTRONIC TECHNOLOGIES, LLC AND SHOULD NOT BE USED WITHOUT WRITTEN PERMISSION		CURRENT REV DESC:	
	DIMENSION UNITS	SCALE		
FA = 0	INCH/MM	1:1		
GENERAL TOLERANCES (UNLESS SPECIFIED)				
	ANGULAR TOL	±	°	
DIVISIONAL SYMBOLS	4 PLACES	±	EC NO: 652962	2021/05/18
	3 PLACES	±	DRWN: VIKESK1	2021/08/24
	2 PLACES	±	CHK'D: WCHEN	2021/08/24
	1 PLACE	±	APPR: WCHEN	2021/08/24
0 PLACES	±	INITIAL REVISION:		
DRAFT WHERE APPLICABLE MUST REMAIN WITHIN DIMENSIONS		THIRD ANGLE PROJECTION	DRAWING	SERIES
			C-SIZE	106121
DOCUMENT STATUS		P1	RELEASE DATE	2021/08/24 01:00:09
DOCUMENT NUMBER		CUSTOMER		SHEET NUMBER
SD-106121-0100		GENERAL MARKET		1 OF 1

molex

LC 8 PORT ADAPTER
SCREW MOUNT W/SHUTTERS

PRODUCT CUSTOMER DRAWING

DOCUMENT NUMBER DOC TYPE DOC PART REVISION

SD-106121-0100 PSD 001 C

MATERIAL NUMBER CUSTOMER SHEET NUMBER

SEE TABLE GENERAL MARKET 1 OF 1