

LOC	DIST	REV	DATE	BY	APPD
GP	00	B	02OCT2008	BC	RP

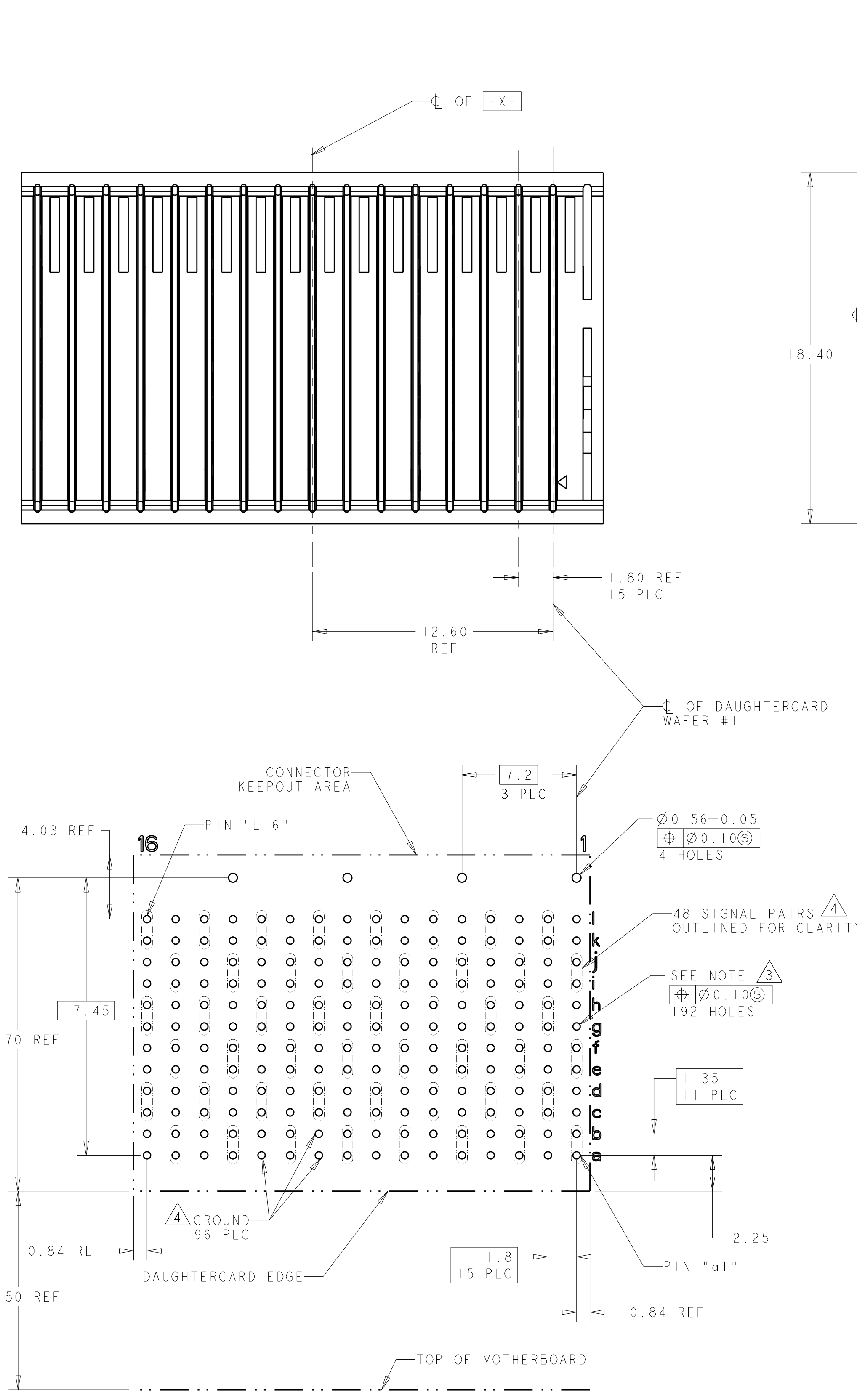
- 1 HOUSING: LCP, UL94V0, COLOR: BLACK.
CONTACT: PHOSPHOR BRONZE.
POST: BRASS WIRE
- 2 CONTACT: 0.76µm MIN GOLD IN CONTACT AREA.
1.27µm MIN. TIN-LEAD ON PCB TAIL
OVER 1.27µm MIN. NICKEL OVER ALL.
POST 1.27µm MIN NICKEL PLATED.
- 3 MANUFACTURING TOLERANCE FOR $\varnothing 0.46 \pm 0.05$
FINISHED HOLE WITH Sn Pb PLATING:
DRILLED HOLE = $\varnothing 0.55 \pm 0.02$
COPPER PLATING = 0.025-0.050
Sn Pb PLATING = 0.0038-0.0124
OR
 $\varnothing 0.475 \pm 0.05$ FINISHED HOLE WITHOUT Sn Pb PLATING:
DRILLED HOLE = $\varnothing 0.55 \pm 0.02$
COPPER PLATING = 0.025-0.050
- 4 SEE TABLE 1 FOR INTERCONNECTIONS TO
BACKPLANE CONNECTOR.
- 5 CONTACT: 0.76µm MIN GOLD IN CONTACT AREA.
1.27µm MIN. TIN ON PCB TAIL
OVER 1.27µm MIN. NICKEL OVER ALL.
POST 1.27µm MIN NICKEL PLATED.

TABLE 1
INTERCONNECTIONS WITH BACKPLANE CONNECTOR 1410141

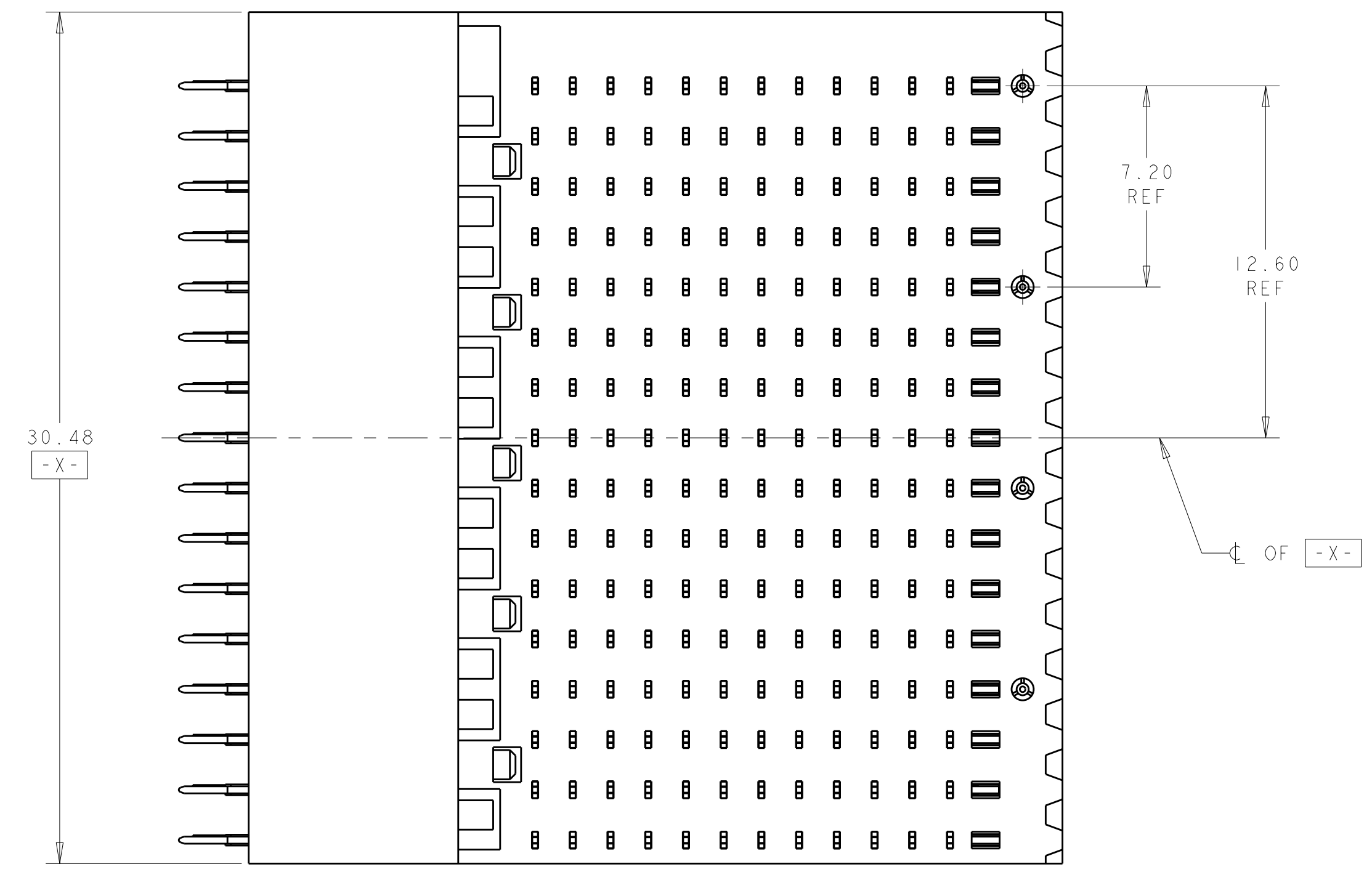
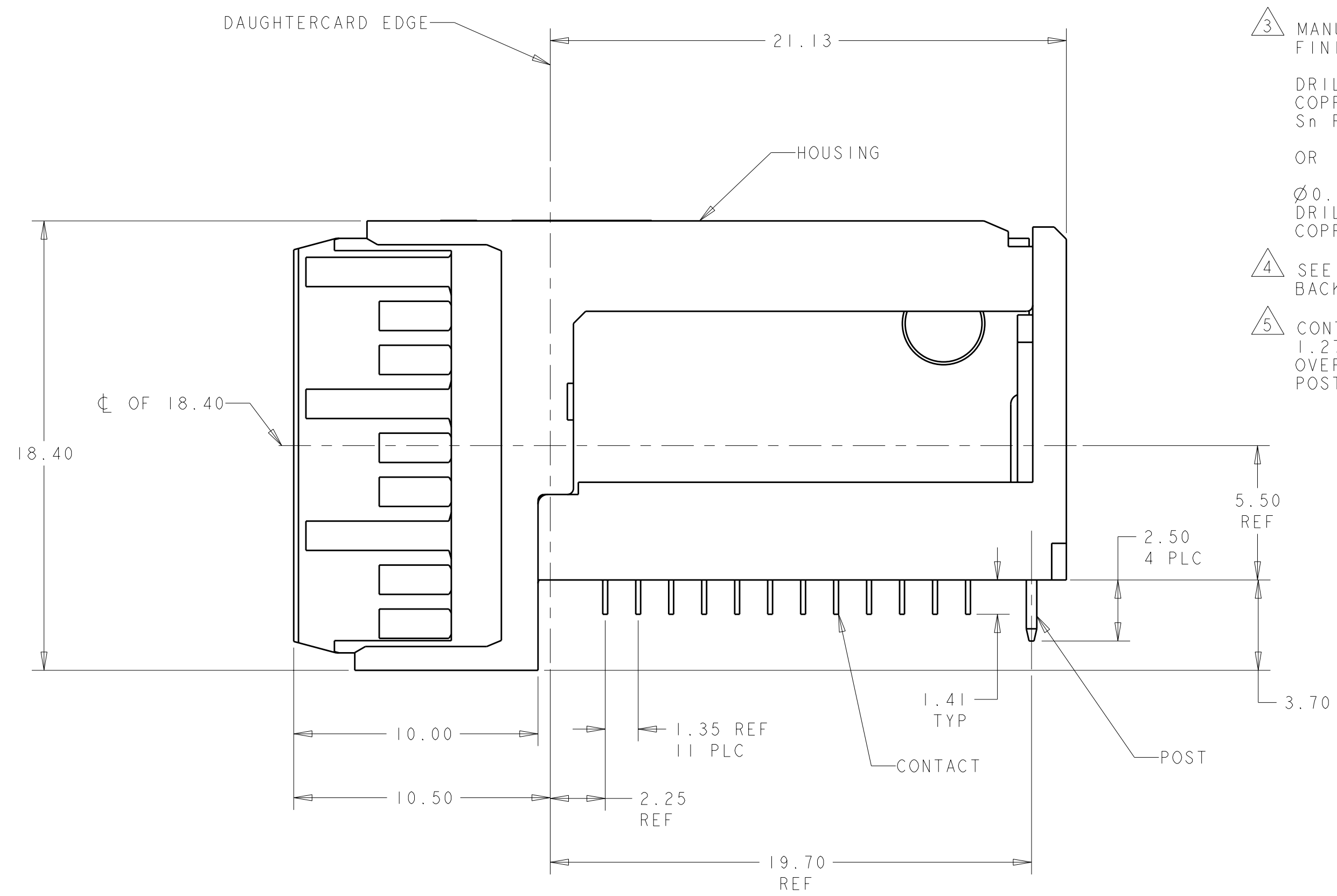
TYPICAL INTERCONNECTIONS FOR EACH EVEN-NUMBERED COLUMN (WAFER): 2, 4, 6, 8, 10, 12, 14, 16		
CONTACT USAGE	DAUGHTERCARD CONNECTOR PIN	BACKPLANE CONNECTOR PIN
SIGNAL PAIR	c x	b x
	d x	c x
SIGNAL PAIR	g x	e x
	h x	f x
SIGNAL PAIR	k x	h x
	l x	i x
GROUPS	a x, b x, e x, f x, i x, j x (ALL COMMONED)	a x, d x, g x

TYPICAL INTERCONNECTIONS FOR EACH ODD-NUMBERED COLUMN (WAFER): 1, 3, 5, 7, 9, 11, 13, 15		
CONTACT USAGE	DAUGHTERCARD CONNECTOR PIN	BACKPLANE CONNECTOR PIN
SIGNAL PAIR	a x	a x
	b x	b x
SIGNAL PAIR	e x	d x
	f x	e x
SIGNAL PAIR	i x	g x
	j x	h x
GROUPS	c x, d x, g x, h x, k x, l x (ALL COMMONED)	c x, f x, i x

NOTE: "x" DESIGNATES THE COLUMN NUMBER



PC BOARD LAYOUT (CONNECTOR SIDE)
SCALE 5:1



DIMENSIONS: mm 9 PLC ±0.5 1 PLC ±0.13 5 PLC ±0.13 4 PLC ±0.13 ANGLES ±1°		TOLERANCES UNLESS OTHERWISE SPECIFIED: 9 PLC ±0.5 1 PLC ±0.13 5 PLC ±0.13 4 PLC ±0.13 ANGLES ±1°		DWN R. TREA 14NOV2002 CHK J. CONSOLI 18NOV2002 APVD G. GRIFFITH 14MAR2006		Tyco Electronics Harrisburg, PA 17105-3608	
MATERIAL: SEE TABLE		FINISH: SEE TABLE		PRODUCT SPEC: 108-2072 APPLICATION SPEC: 114-13056		NAME: RIGHT-ANGLE PLUG ASSEMBLY LEFT END, 20.3mm, MultiGig RT2, DAUGHTERCARD CONNECTOR, DIFFERENTIAL SIZE: A11 00779 CAGE CODE: C=1410138	
CUSTOMER DRAWING		WEIGHT: -		SCALE: 5:1		SHEET: 1 OF 1 REV: B	