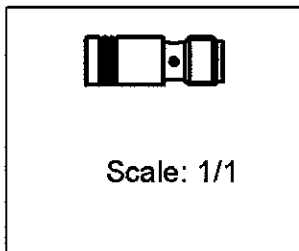
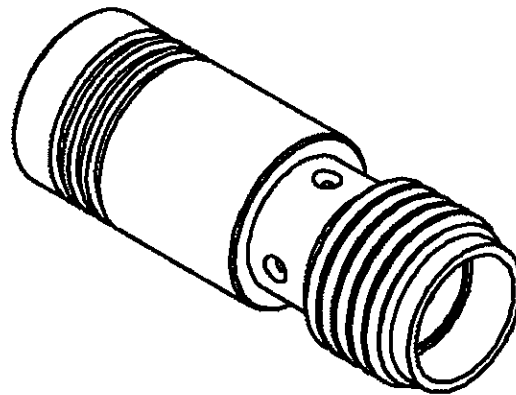
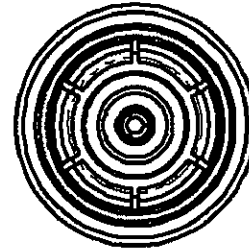
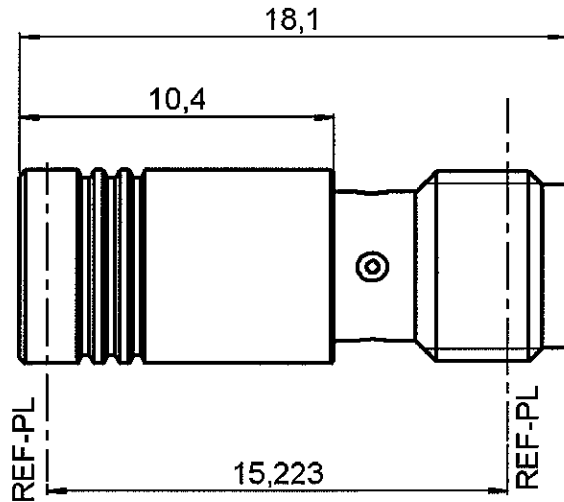


**ADAPTATOR SMB FEMALE - SMA FEMALE**

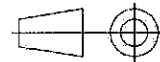
**R191.203.007**

Série : ADAPT

ORIGINAL



All dimensions are in mm.



COMPONENTS	MATERIALS	PLATINGS (µm)
BODY	BRASS	BBR 2
CENTER CONTACT	BERYLLIUM COPPER	GOLD 1.3 OVER COPPER 2.5
OUTER CONTACT	BERYLLIUM COPPER	BBR 2
INSULATOR	PTFE	
GASKET		
OTHERS PARTS		
-	-	-
-	-	-

Issue : 0515 A

In the effort to improve our products, we reserve the rights to make changes judged to be necessary.



**ADAPTATOR SMB FEMALE - SMA FEMALE**

**R191.203.007**

Série : ADAPT

ORIGINAL

**PACKAGING**

**SPECIFICATION**

Standard	Unit	Other
1		Contact us

**ELECTRICAL CHARACTERISTICS**

**ENVIRONMENTAL**

Impedance		<b>50</b> Ω
Frequency		<b>0-4</b> GHz
VSWR	<b>1.2 +</b>	<b>0.000</b> x F(GHz) Maxi
Insertion loss		<b>0.1</b> √F(GHz) dB Maxi
RF leakage	- (	- F(GHz)) dB Maxi
Voltage rating		<b>500</b> Veff Maxi
Dielectric withstanding voltage		<b>1000</b> Veff mini
Insulation resistance		<b>1000</b> MΩ mini

Operating	<b>-65/+165</b> °C
Hermetic seal	<b>NA</b> Atm.cm3/s
Panel leakage	<b>NA</b>

**MECHANICAL CHARACTERISTICS**

**OTHERS CHARACTERISTICS**

Center contact retention		
Axial force – Mating end		<b>10</b> N mini
Axial force – Opposite end		<b>10</b> N mini
Torque		<b>NA</b> N.cm mini

Recommended torque		
Mating	<b>SMA-</b>	<b>0</b> N.cm
	<b>SMB</b>	<b>0</b> N.cm
		<b>0</b> N.cm
Panel nut		N.cm

Mating life		<b>100</b> Cycles mini
Weight		<b>2.600</b> g

Issue : 0515 A

In the effort to improve our products, we reserve the rights to make changes judged to be necessary.

