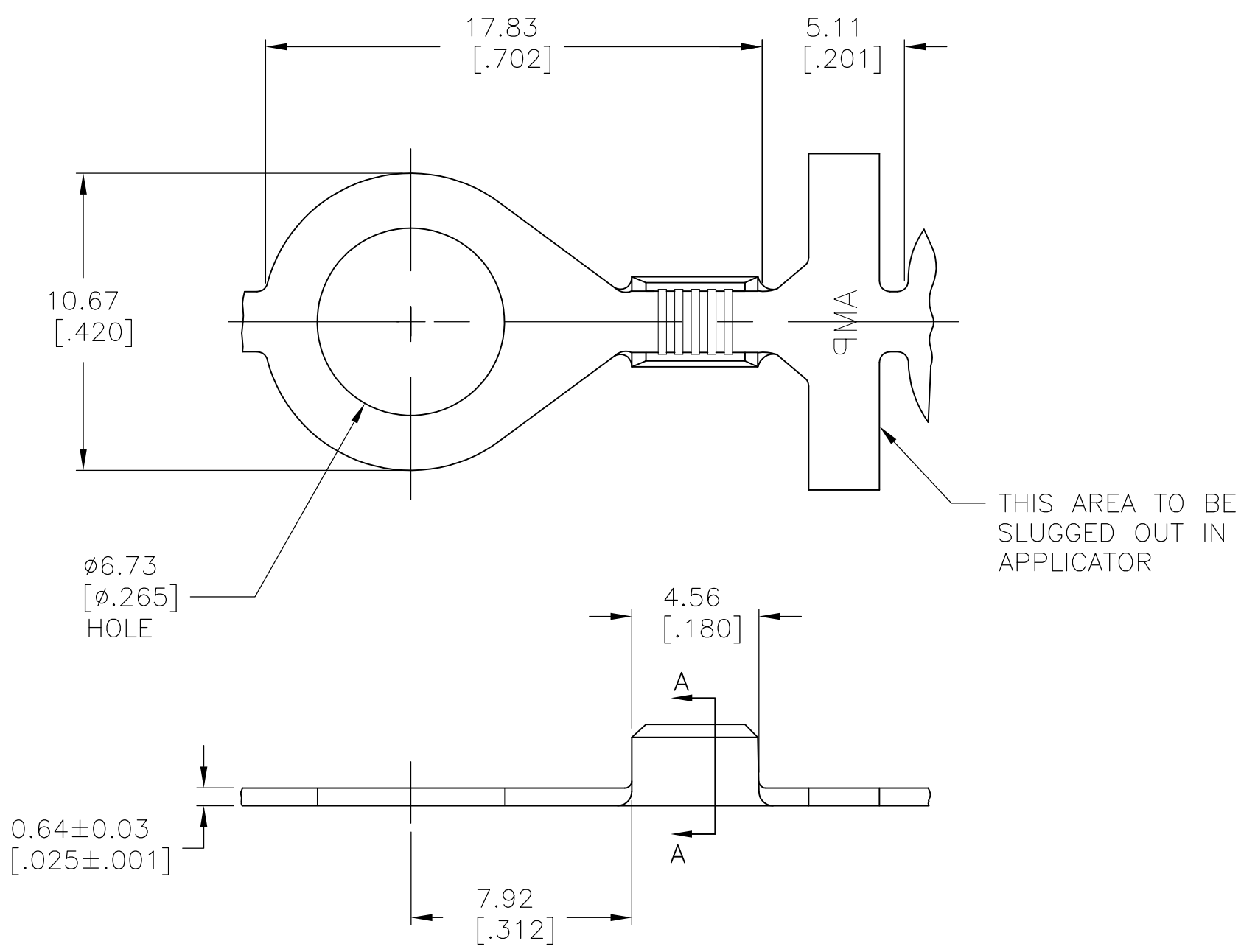
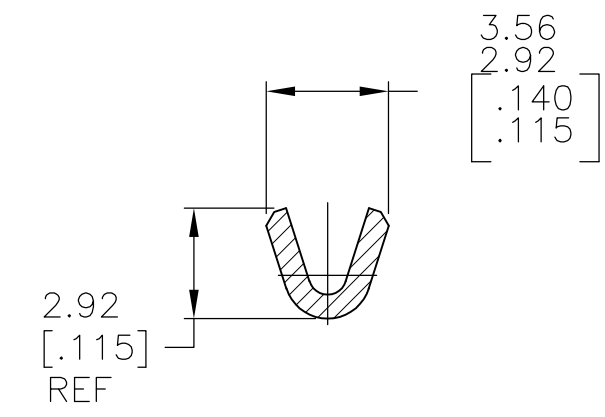


THIS DRAWING IS UNPUBLISHED. RELEASED FOR PUBLICATION
 © COPYRIGHT - By TYCO ELECTRONICS CORPORATION. ALL RIGHTS RESERVED.

LOC	DIST	REVISIONS			
P	LTR	DESCRIPTION	DATE	DWN	APVD
AF	50	B	REVISE PER ECR-13-013738	15FEB2014	GRZ JL



- 1 AMPLIVAR SERRATIONS PERMIT CRIMPING OF MAGNET WIRE WITHOUT PRE-STRIPPING COATING
- 2 CONTINUOUS STRIP ON REELS.



1/4	0.66-1.14 mm DIA	22-18	62835-1
STUD SIZE	INSULATION RANGE	WIRE RANGE	PART NO

THIS DRAWING IS A CONTROLLED DOCUMENT.		DWN RAGHAVENDRA 05MAR09	STE TE Connectivity													
DIMENSIONS: mm [INCHES]		CHK JEFF RUTH 05MAR09														
TOLERANCES UNLESS OTHERWISE SPECIFIED:		APVD DON DECKER 05MAR09	NAME													
<table border="0"> <tr><td>0 PLC</td><td>± -</td></tr> <tr><td>1 PLC</td><td>± -</td></tr> <tr><td>2 PLC</td><td>± -</td></tr> <tr><td>3 PLC</td><td>± 0.38 [.015]</td></tr> <tr><td>4 PLC</td><td>± -</td></tr> <tr><td>ANGLES</td><td>±</td></tr> </table>		0 PLC	± -	1 PLC	± -	2 PLC	± -	3 PLC	± 0.38 [.015]	4 PLC	± -	ANGLES	±	PRODUCT SPEC	AMPLIVAR RING	
0 PLC	± -															
1 PLC	± -															
2 PLC	± -															
3 PLC	± 0.38 [.015]															
4 PLC	± -															
ANGLES	±															
MATERIAL BRASS		FINISH TIN	APPLICATION SPEC	RESTRICTED TO												
		WEIGHT -	SIZE A3	CAGE CODE 00779												
		CUSTOMER DRAWING	DRAWING NO C-62835	RESTRICTED TO -												
		SCALE 5:1	SHEET 1 OF 1	REV B												