

10

9

8

7

6

5

4

3

2

1

F

E

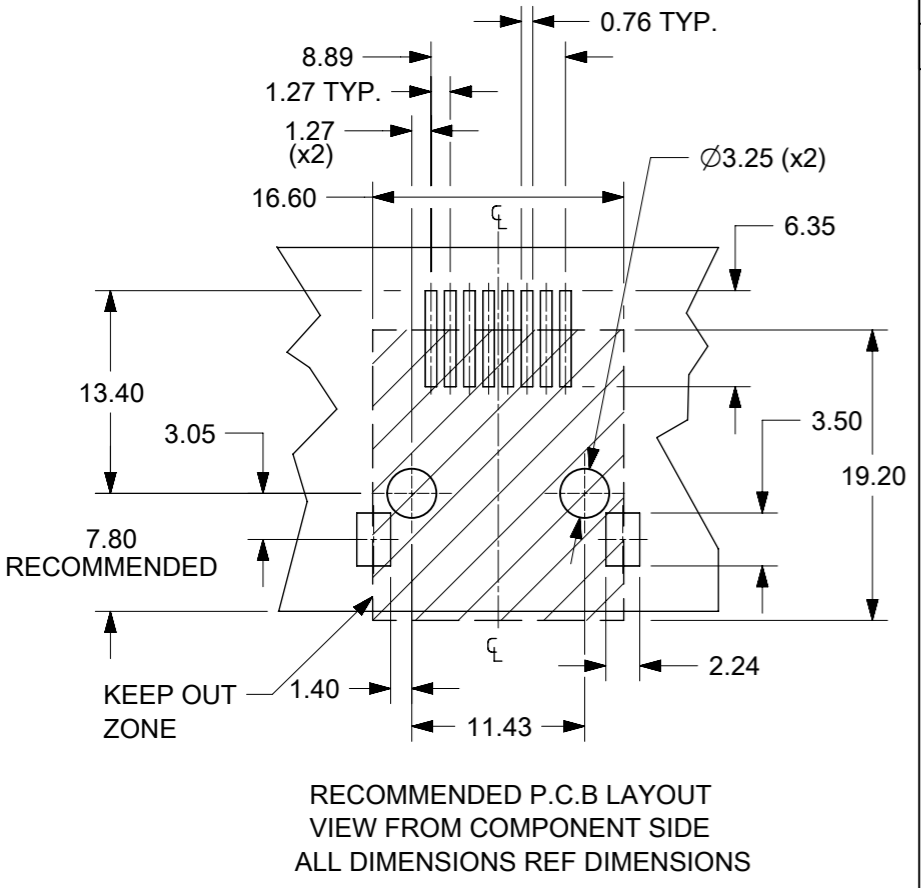
D

C

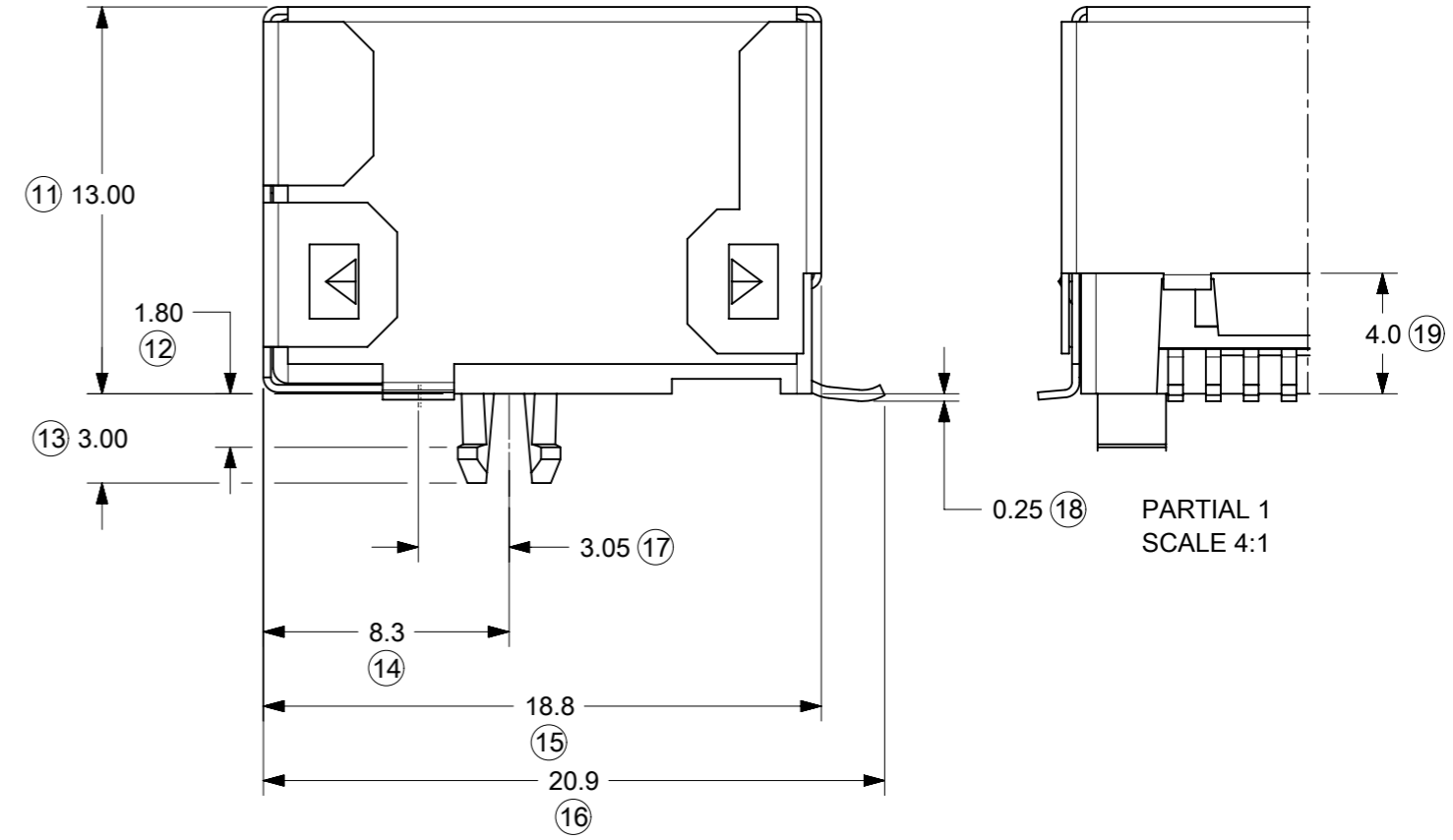
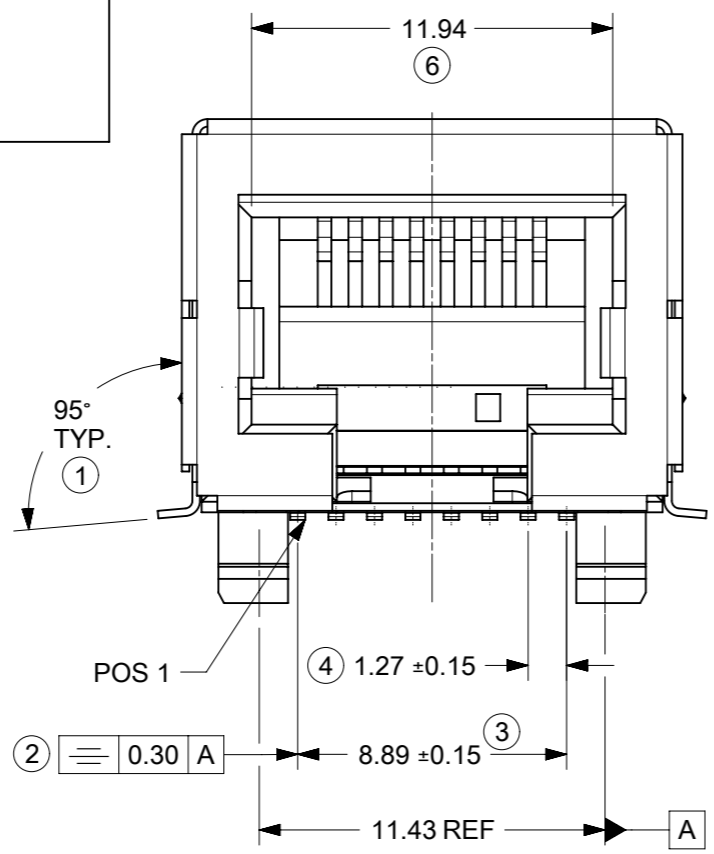
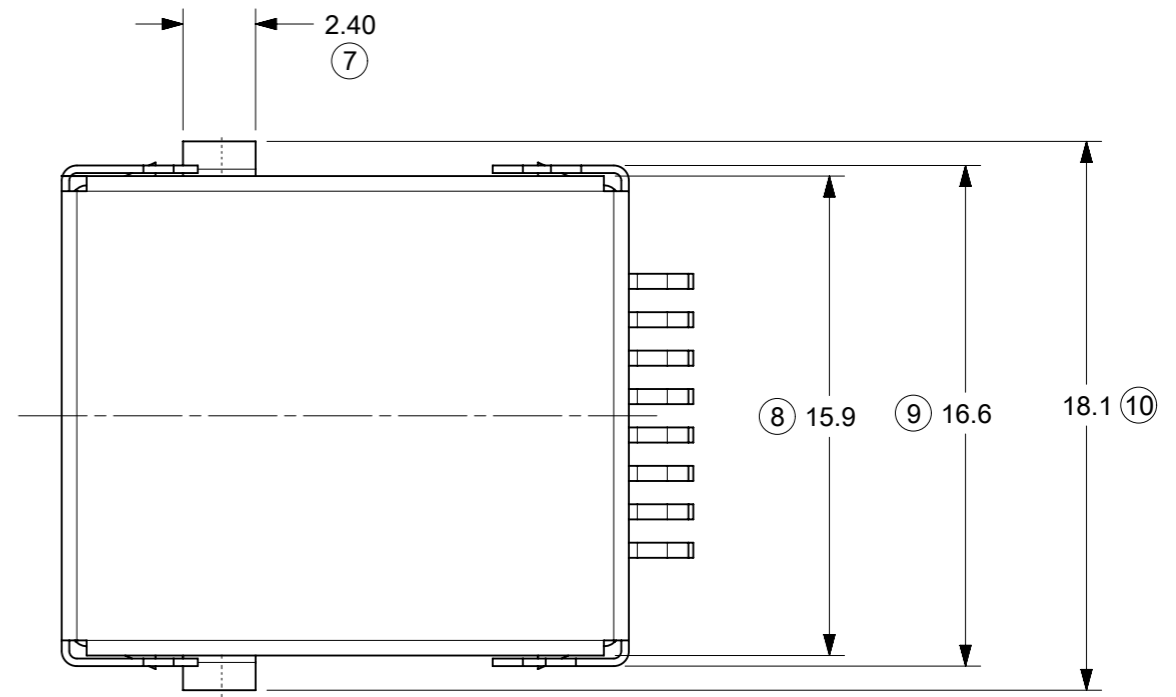
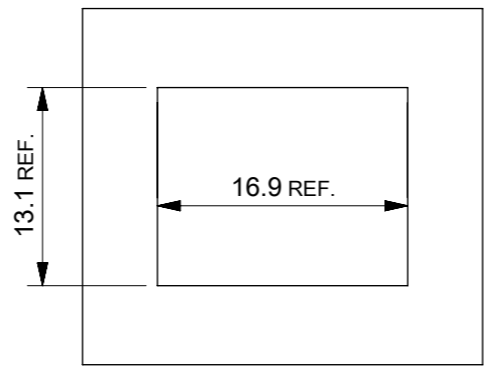
B

A

PART NO.	
95622-4881	



SUGGESTED PANEL CUTOUT  
SCALE 2:1



- NOTES:**
- JACK FOR MATING WITH SHIELDED PLUG (MOLEX 95043 AND 85568 SERIES)
  - PRODUCT SPECIFICATION: PS-95622-001
  - PACKAGING SPECIFICATION: PK-95122 SHEET 2 (BLISTER ON REEL)
  - P.C.B THICKNESS: 1.57
  - COPLANARITY OF SIGNAL LEADS: 0.10 MAX.

LAST INSPECTION NO.: 20  
REMOVED INSPECTION NO: 5

**TECHNICAL SPECIFICATIONS:**  
**MATERIAL:**  
HOUSING: LCP GLASS FILLED UL 94-V0,  
COLOUR BLACK.  
TERMINAL: COPPER ALLOY PLATED WITH:  
BASE FINISH: NICKEL  
CONTACT SURFACE FINISH:  
GOLD  
OR  
GOLD FLASH OVER PALLADIUM NICKEL.  
EXCEEDS PRODUCT REQUIREMENTS BASED ON  
PS-95622-001  
SHIELD: COPPER ALLOY PLATED WITH TIN.

THIS DRAWING CONTAINS INFORMATION THAT IS PROPRIETARY TO MOLEX ELECTRONIC TECHNOLOGIES, LLC AND SHOULD NOT BE USED WITHOUT WRITTEN PERMISSION			
DIMENSION UNITS	SCALE	CURRENT REV DESC: ADDED PANEL CUTOUT	
mm	4:1		
GENERAL TOLERANCES (UNLESS SPECIFIED)			
ANGULAR TOL	± 2.0 °		
4 PLACES	±	EC NO: 735778	
3 PLACES	±	DRWN: ASWINA	2022/12/26
2 PLACES	± 0.25	CHK'D: KLANG	2023/01/27
1 PLACE	± 0.35	APPR: KLANG	2023/01/27
0 PLACES	±	INITIAL REVISION:	
DRAFT WHERE APPLICABLE MUST REMAIN WITHIN DIMENSIONS		DRWN: DBYRNES	2006/07/27
THIRD ANGLE PROJECTION		APPR: EOMAHONY	2006/07/28
DRAWING	SERIES	MATERIAL NUMBER	CUSTOMER
A3-SIZE	95622	SEE CHART	GENERAL MARKET
DOCUMENT NUMBER		DOC TYPE	DOC PART
SD-95622-006		PSD	001
SHEET NUMBER		REVISION	
1 OF 1		E2	

DOCUMENT STATUS	P1	RELEASE DATE	2023/01/27	00:26:06
-----------------	----	--------------	------------	----------

FORMAT: master-b-prod-A3  
REVISION: 3  
DATE: 2020/01/14

9

8

7

6

5

4

3

2

1