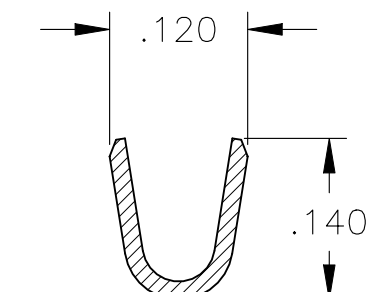
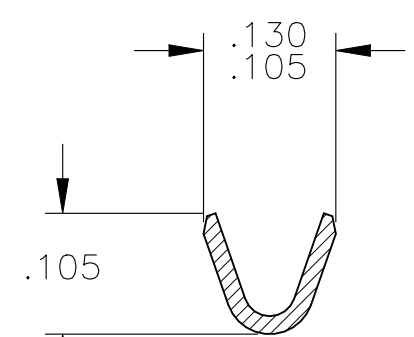
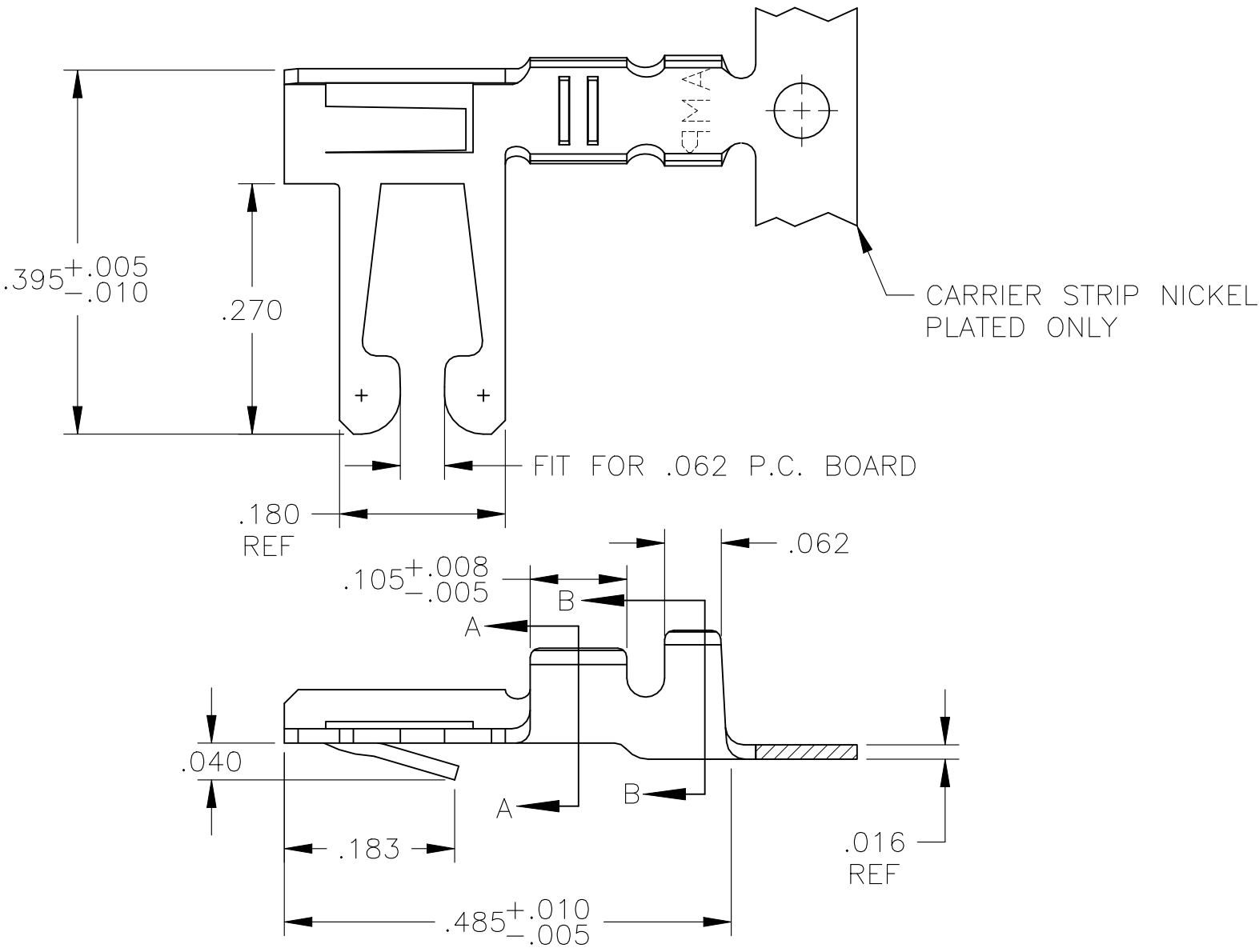


REVISIONS					
P	LTR	DESCRIPTION	DATE	DWN	APVD
	L2	ECN-22-171534	30AUG2022	RK	JO



1. REFER TO CUSTOMER 582370 SERIES AND CUSTOMER 582380 SERIES FOR HOUSING AND P.C. BOARD REQUIREMENTS

2 .000015 GOLD OVER .000050 NICKEL IN CONTACT AREA. REMAINDER OF CONTACT .000050 NICKEL.

3 .000030 GOLD OVER .000050 NICKEL IN CONTACT AREA. .000050 NICKEL ON REMAINDER OF CONTACT.

4 L-R FEED FOR MINI-APPL.

5 OBSOLETE PARTS: OBSOLETE CIS STREAMLINING PER D.RENAUD/D.SINISI

	MATTE TIN PLATE	4	530002-8
5	OBSOLETE	2	530002-7
	OBSOLETE	3	530002-6
	OBSOLETE	4	530002-5
	OBSOLETE	2	530002-4
	OBSOLETE	3	530002-3
	OBSOLETE	TIN PLATE	530002-2

FINISH	PART NUMBER

THIS DRAWING IS A CONTROLLED DOCUMENT.		DWN M.BINNER 03APR01	TE Connectivity														
DIMENSIONS: INCHES		CHK M.MILLER 05APR01															
TOLERANCES UNLESS OTHERWISE SPECIFIED:		APVD M.MILLER 05APR01	NAME CONTACT, 22-18 AWG, DUO-TYNE FLAG WITH TAPERED BEAMS														
<table border="1"> <tr><td>0 PLC</td><td>± -</td></tr> <tr><td>1 PLC</td><td>± -</td></tr> <tr><td>2 PLC</td><td>± -</td></tr> <tr><td>3 PLC</td><td>± .005</td></tr> <tr><td>4 PLC</td><td>± .0005</td></tr> <tr><td>ANGLES</td><td>± -</td></tr> </table>		0 PLC	± -	1 PLC	± -	2 PLC	± -	3 PLC	± .005	4 PLC	± .0005	ANGLES	± -	PRODUCT SPEC -	RESTRICTED TO -		
0 PLC	± -																
1 PLC	± -																
2 PLC	± -																
3 PLC	± .005																
4 PLC	± .0005																
ANGLES	± -																
MATERIAL PHOS. BRONZE		FINISH SEE TABLE	APPLICATION SPEC -	SIZE A3	CAGE CODE 00779	DRAWING NO C-530002											
CUSTOMER DRAWING			WEIGHT -	SCALE 6:1	SHEET 1 OF 1	REV L2											