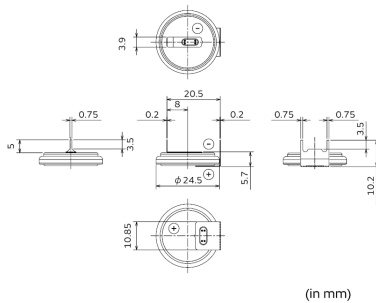


# CR2450W-HE6

The Heat-resistant lithium coin batteries support wider operating temperature -40 to +125 °C and are ideal for devices used in severe temperature environments such as TPMS etc.



## Appearance & Shape



## Features

### • Lightweight, High Voltage and High Energy Density

The battery voltage is 3V, almost double that of normal alkaline or manganese batteries. This means that the number of batteries required for equipment can be halved for maximum space saving and weight reduction.

### • Excellent Discharge Characteristics

Voltage characteristics remain stable even for a long period of discharge, greatly improving the reliability of equipment that uses the battery. Such equipment is also maintenance-free (battery replacement is seldom required).

### • Outstanding Temperature Characteristics

Murata's original organic electrolyte provides superb characteristics over a wide range of temperature from low to high. -40 to +85 degrees C (Extended temperature) -40 to +125 degrees C (Heat-resistant)

### • Excellent Leakage Resistance

The newly developed battery construction and electrolyte ensure maximum leakage resistance over a long span of time.

### • Excellent Long-Term Reliability

Carefully selected active materials are used for the active material as well as for the electrolyte. These materials are sealed by Murata's innovative technology to minimize battery self-discharge. The annual self-discharge rate at room temperature and normal humidity is less than 1% of the nominal capacity.

### • UL Approved Parts

Sony's Coin Manganese Dioxide Lithium Batteries are approved by UL. (UL1642 File No. MH12566)

### • RoHS directive / European Directives

This product does not contain Mercury(Hg), Cadmium(Cd), nor Lead(Pb), and conforms to EC regulation values. (Directive 2006/66/EC, 2013/56/EU)

Battery pack are excluded from RoHS directive (DIRECTIVE 2011/65/EU OF THE EUROPEAN PARLIAMENT AND OF THE COUNCIL of 8 June 2011 on the restriction of the use of certain hazardous substances in electrical and electronic equipment).

### Attention

1.This datasheet is downloaded from the website of Murata Manufacturing Co., Ltd. Therefore, it's specifications are subject to change or our products in it may be discontinued without advance notice. Please check with our sales representatives or product engineers before ordering.

2.This datasheet has only typical specifications because there is no space for detailed specifications.

Therefore, please review our product specifications or consult the approval sheet for product specifications before ordering.

# CR2450W-HE6



## Specifications

Battery type	Coin Manganese Dioxide Lithium Batteries
Nominal Voltage	3.0V
Nominal Capacity	550mAh
Recommended Continuous Discharge Current	1mA or less
Operating Temperature Range	-40°C to 125°C
Diameter (inch)	0.965inch
Diameter (mm)	24.5mm
Height (inch)	0.197inch
Height (mm)	5mm
IEC (JIS)	CR2450
Mass (oz)	0.247oz
Mass (g)	7g

### Attention

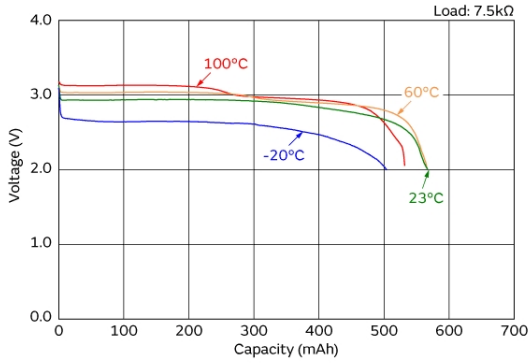
1.This datasheet is downloaded from the website of Murata Manufacturing Co., Ltd. Therefore, it's specifications are subject to change or our products in it may be discontinued without advance notice. Please check with our sales representatives or product engineers before ordering.

2.This datasheet has only typical specifications because there is no space for detailed specifications.

Therefore, please review our product specifications or consult the approval sheet for product specifications before ordering.

# CR2450W-HE6

## Product Data



### Discharge Characteristics

#### Attention

- 1.This datasheet is downloaded from the website of Murata Manufacturing Co., Ltd. Therefore, it's specifications are subject to change or our products in it may be discontinued without advance notice. Please check with our sales representatives or product engineers before ordering.
- 2.This datasheet has only typical specifications because there is no space for detailed specifications. Therefore, please review our product specifications or consult the approval sheet for product specifications before ordering.