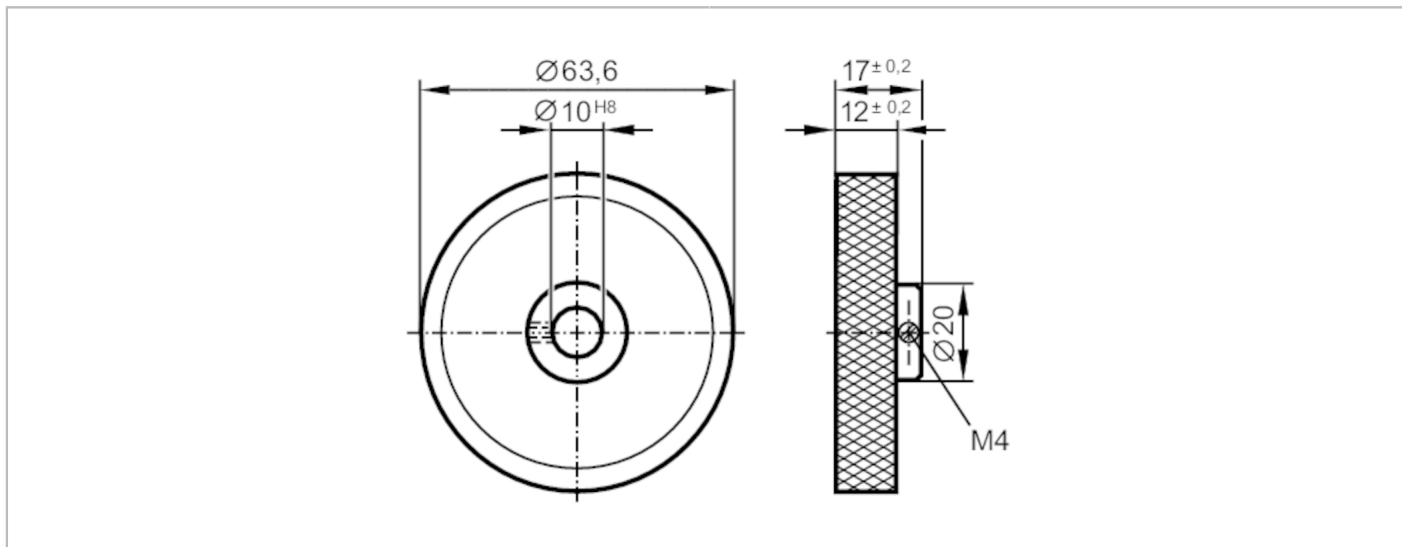


E60095



Measuring wheel

MEASURING WHEEL U:200 N:10



Application

Design cross-knurl

Operating conditions

Ambient temperature [°C] -30...80

Mechanical data

Weight [g] 64

Inside diameter [mm] 10

External diameter [mm] 63.6

Materials wheel: aluminium; surface characteristics: aluminium

Circumference [mm] 200

Remarks

Pack quantity 1 pcs.