

COUNT	DESCRIPTION OF REVISIONS	BY	CHKD	DATE	COUNT	DESCRIPTION OF REVISIONS	BY	CHKD	DATE
1	RE-H-05790	F.M.K.A.		'03.09.19					
3	RE-H-05963	T.Y.T.S.		'03.12.12					

Fig.1 : RECOMMENDED PATTERN Fig.2 : PLATING SPECIFICATION (40:1)

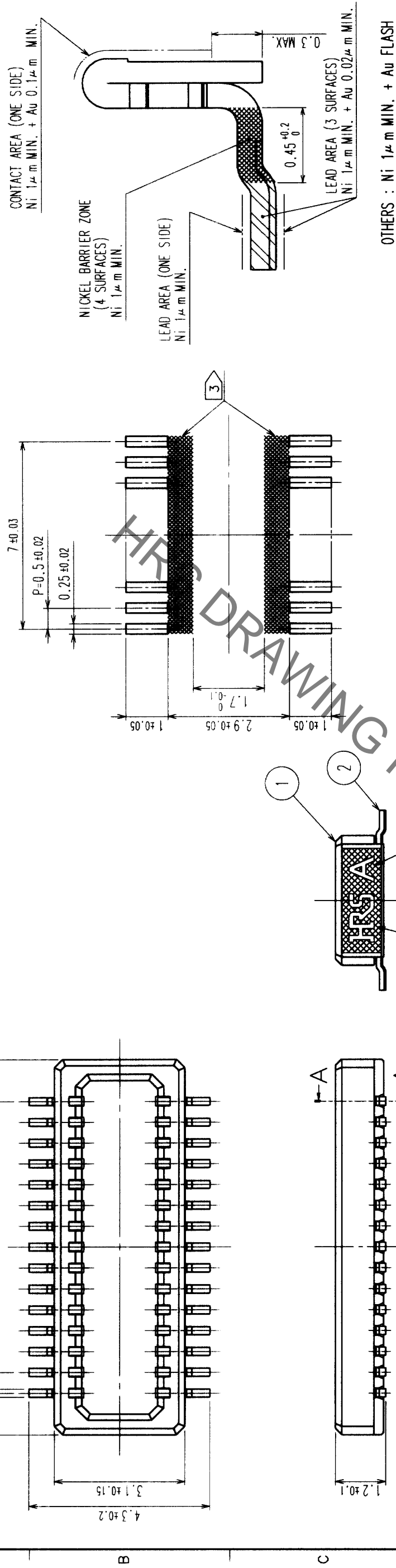


Fig.3 : A-A CROSS SECTION VIEW

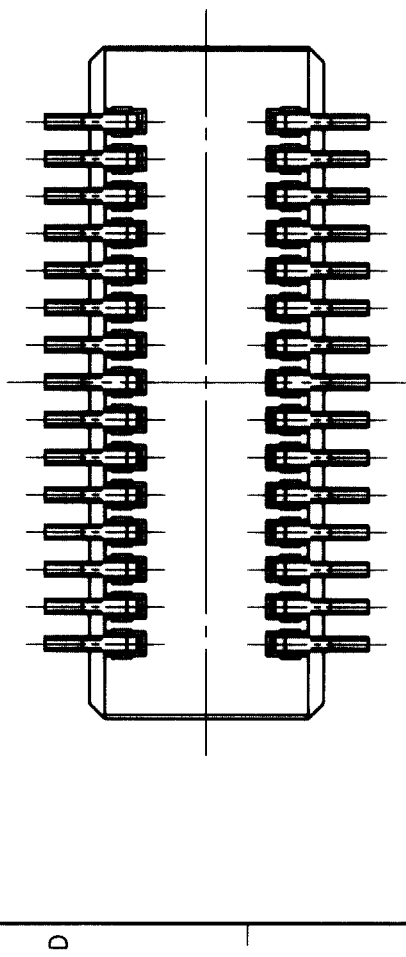
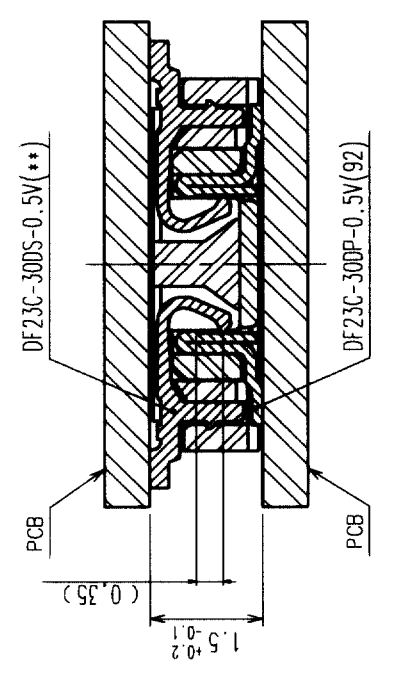


Fig.4 : MATING VIEW



NOTES 1 LEAD CO-PLANARITY SHALL BE 0.1mm MAX.

2 REFER TO Fig.2

3 WHEN A PART MARKED WITH HAS A PATTERN BUT NO RESIST ON IT, TAKE CARE TO PREVENT THE CONNECTOR FROM TOUCHING IT.

NO.	MATERIAL	FINISH, REMARKS	NO.	MATERIAL	FINISH, REMARKS
2	PHOSPHOR BRONZE	2	4	POLYESTER	CLEAR
1	LCP	BLACK, J194V-0	3	PS	CLEAR

CODE NO. (OLD)	DRAWN	DESIGNED	CHECKED	APPROVED	RELEASED
	A.Hirota	T.Yamamoto	K.Akiyama	K.Akiyama	
	'03. 7.25	'03. 7.25	'03. 7.25	'03. 7.25	'03. 7.25

DRAWING NO.	PART NO.
EDC3-164004-02	DF23C-30DP-0.5V(92)

SCALE	CODE NO.
10 : 1	CL688-0802-0-92

UNITS: mm

HRS HIROSE ELECTRIC CO., LTD.

TO	

Fig.6 : REEL DIMENSIONS (FREE)

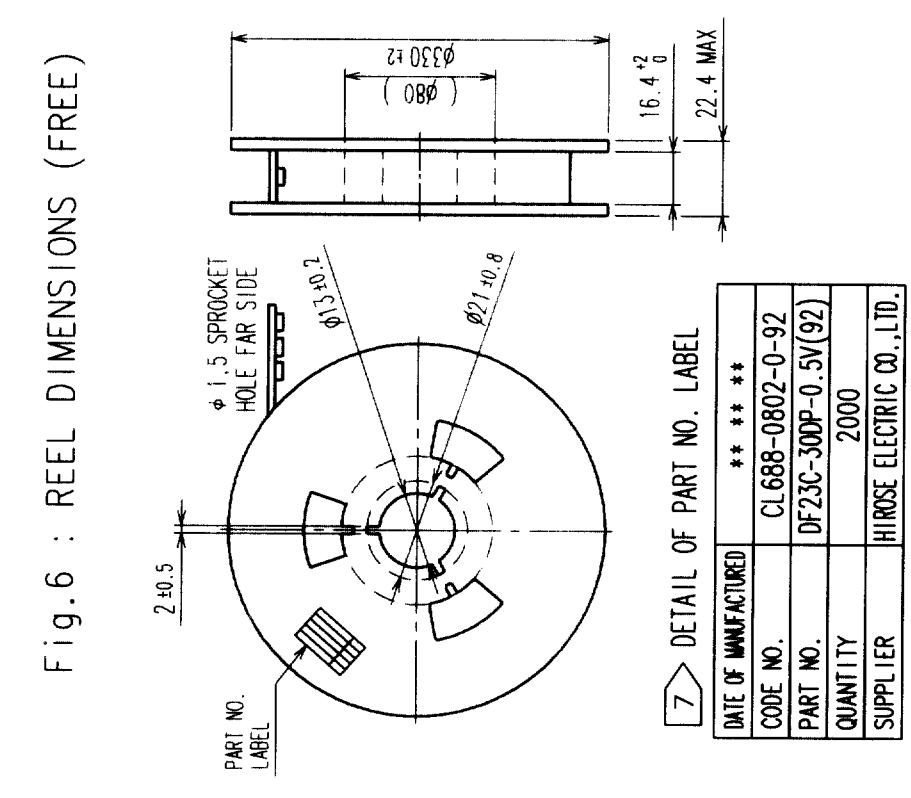


Fig.7 : PACKAGING SPECIFICATION (FREE)

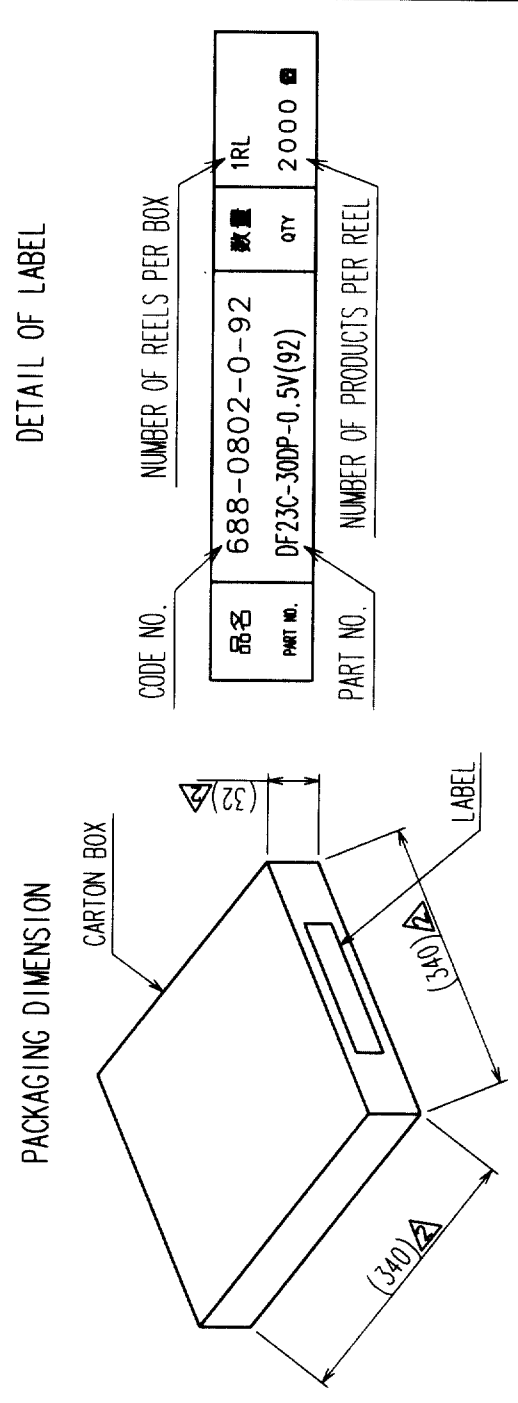
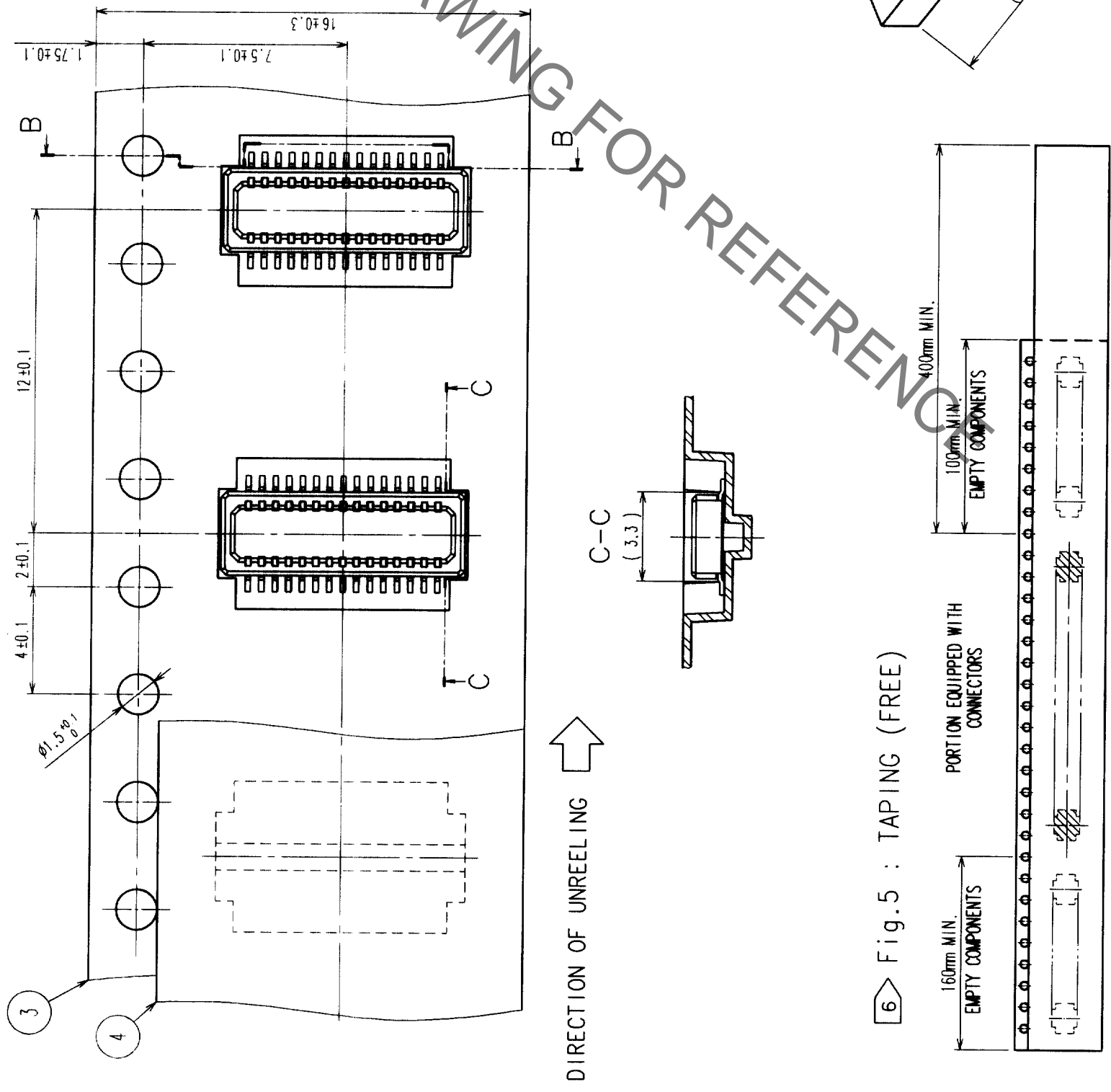


Fig.5 : TAPING (FREE)



TRAILER

NOTES
 4 PER REEL 2000 CONNECTORS
 5 THE DIMENSIONS IN PARENTHESES ARE FOR REFERENCE.
 6 REFER TO JIS C 0806
 (PACKAGING OF COMPONENTS FOR AUTOMATIC HANDLING)
 7 DETAIL OF PART NO. LABEL IS WRITTEN IN JAPANESE.

LEADER

CODE NO. (OLD)	
SCALE	5 : 1
UNITS	mm

DRAWING NO.	EDC3-164004-02
DRAWN	A.Hirota
DESIGNED	T.Yamamoto
CHECKED	K.Akiyomo
APPROVED	K.Akiyomo
RELEASED	

PART NO.	DF23C-30DP-0.5V(92)
CODE NO.	CL688-0802-0-92