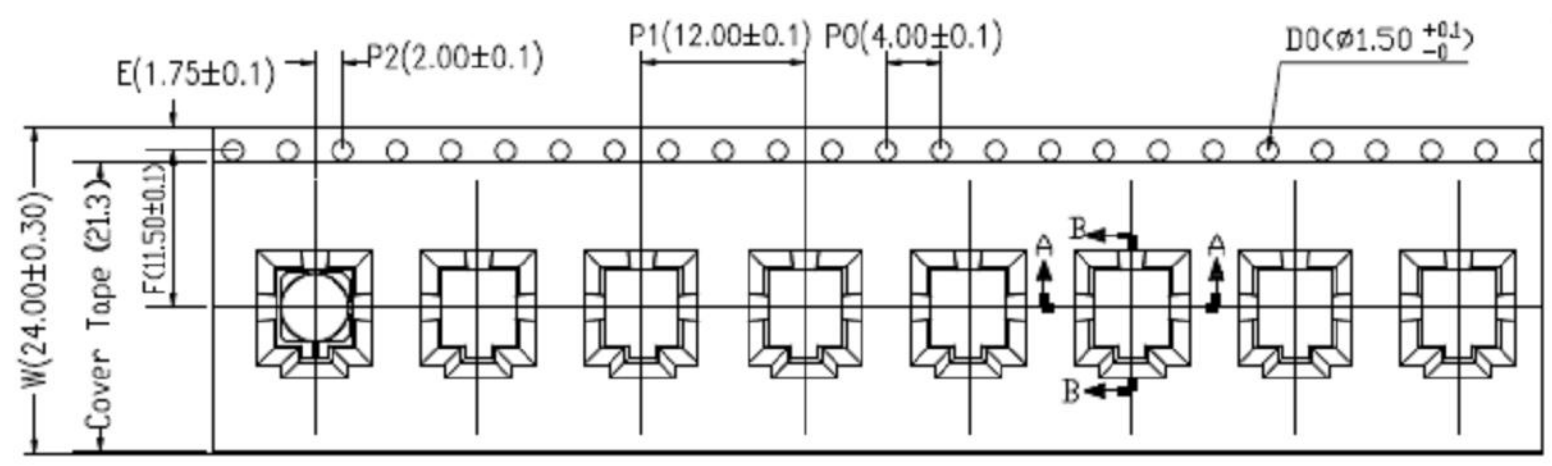
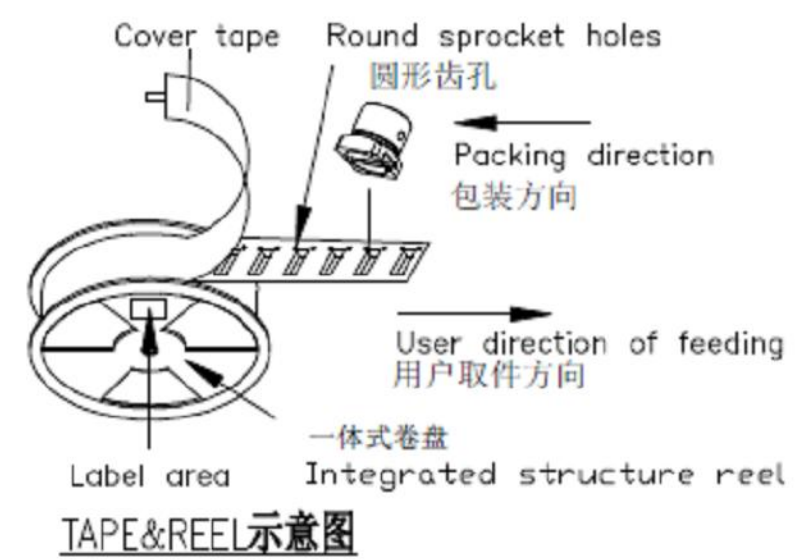
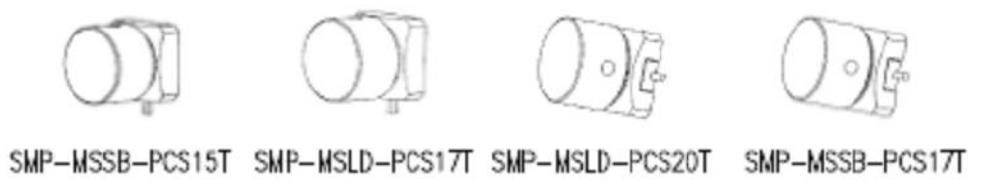
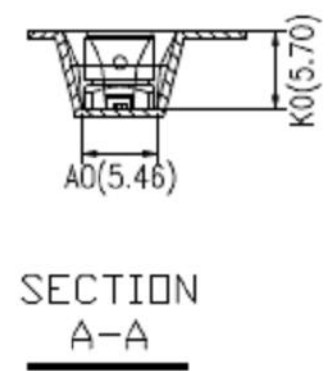


REVISIONS				
REV	DESCRIPTION	DATE	ECN	APPR
A	RELEASE TO MFG.	29-JUN-20	15254	EH



用户取件方向
USER DIRECTION OF UNREELING



- NOTES:
1. 10 sprocket holes pitch cumulative tolerance ± 0.20 mm.
 2. Carrier camber not to exceed 1 mm in 250 mm.
 3. A0 and B0 measured on a plane 0.3 mm above the bottom of the pocket.
 4. K0 measured from a plane on the inside bottom of the pocket to the top surface of the carrier.
 5. All dimensions meet EIA-481-D requirements.
 6. Material: Black PS (RoHS Compliant)
 7. Thickness: 0.50 ± 0.05 mm.
 8. Packing length per 13" reel: 10.56 Meters.
 9. Component loader per 13" reel: 800 pcs.

技术要求:
在没有保护膜的情况下, 0-90度往返折弯3次, 卷带不会破裂; 冷封带0.3~1.3N; 厚度及防静电要求需满足要求, 防静电性能使用寿命至少大于半年。载带侧壁支撑力2kgf以上。

ITEM	W	A ₀	A ₁	B ₀	B ₁	K ₀	K ₁	P ₁	F	E	D ₀	P ₀	P ₂	T
DIM	24.00±0.30	5.46±0.10		5.46±0.10		5.70±0.10		12.00±0.10	1.50±0.10	1.75±0.10	1.50 ^{+0.10} / _{-0.00}	4.00±0.10	2.00±0.10	0.50±0.05

NOTICE: These drawings, specifications, or other data (1) are, and remain the property of Amphenol corp. (2) must be returned upon request; and (3) are confidential and not to be disclosed to any person other than those to whom they are given by Amphenol Corp. The furnishing of these drawings, specifications, or other data by Amphenol Corp., or to any other person to anyone for any purpose is not to be regarded by implication or otherwise in any manner licensing, granting rights to permitting such holder or any other person to manufacture, use or sell any product, process or design, patented or otherwise, that may in any way be related to or disclosed by said drawings, specifications, or other data.

THIRD ANGLE PROJ. REFERENCE SMP-MSSB-PCS-15 EAR# 9644

UNLESS OTHERWISE SPECIFIED DIMENSIONS ARE METRIC (INCHES) AND TOLERANCES ARE:
 <0.5mm = ± 0.05 mm [$-0.020 = \pm 0.002$]
 >0.5 - 6mm = ± 0.1 mm [$>0.020 - 0.236 = \pm 0.004$]
 >6.00 - 30mm = ± 0.2 mm [$>0.236 - 1.181 = \pm 0.008$]
 >30.00 - 120mm = ± 0.3 mm [$>1.181 - 4.725 = \pm 0.012$]
 ANGLES = $\pm 1^\circ$

MATERIAL
ENGINEER E. HILL
DATE 17-MAR-20

TITLE SMP JACK SURFACE MOUNT SMOOTH BORE
SHEET NO. 3 OF 3 SCALE: 20.0:1.0

Amphenol RF
DRAWING NO. SMP-MSSB-PCS17T
ITEM NO. SMP-MSSB-PCS17T
PART NO. SMP-MSSB-PCS17T
REV A